

RC 1:10 BB6.2 TEAM KIT

1:10 Scale 2WD Electric
Off Road Competition Buggy Kit



#90023 RC10B6.2 TEAM KIT

1:10 Scale 2WD Electric Off Road Competition Buggy Manual & Catalog



CHAMPIONS *by* DESIGN

AssociatedElectrics.com

TEAM ASSOCIATED

:: Introduction

Thank you for purchasing this Team Associated product. This assembly manual contains instructions and tips for building and maintaining your new vehicle. Please take a moment to read through the manual and familiarize yourself with the steps. We are continually changing and improving our designs; therefore, actual parts may appear slightly different than the illustrations. New parts will be noted on supplementary sheets located in the appropriate parts bags. Check each bag for these sheets before you start to build.

:: RC10B6.2 KIT Features

- Lightweight 7075-T6 hard anodized and +3mm increased length
- New symmetric rear arm with improved geometry and stiffness can be flipped to allow a "split" for rear shock mounting position
- Longer rear arm (75mm) improves stability and jump landing
- Outer rear hinge pin captured with bolt head and lock nut for increased durability
- Updated left side rail with motor fan mount (fan not included)
- New rear hub assembly with modular vertical ball stud camber link mount and axle height adjustment
- New front wing mount and front wing included
- Bolt-on +1 steering arms for improved steering response
- 69mm CVA bones for reduced bone plunge and minimized friction at drive pin
- New body design with lower center of mass
- Clear body and wing included
- Steel electronics and under servo plates for improved balance and lower overall center of mass
- 5mm aluminum clamping wheel hexes
- Fluid filled gear differential
- 3-gear Lay Down Stealth® transmission for lower and forward CG
- Differential height adjustment with 0, 1, 2, & 3mm insert included
- 7075-T6 aluminum arm mounts with optimized roll center positions and inserts for tuning anti-squat, and toe adjustments
- Heavy-duty V2 routed graphite front shock tower w/tower guard
- Heavy-duty V2 routed graphite rear tower, STANDARD
- V2 12mm "Big Bore" threaded aluminum shock with x-rings

:: Additional

Your new B6.2 Team Kit comes unassembled and requires the following items for completion (refer to catalog section for suggestions):

- R/C two channel surface frequency radio system
- AA-size batteries for transmitter (#302 alkaline)
- Electronic Speed Control, ESC (#27002, 27004, 27005, 27006, 27033)
- Steering servo (#27112, 27113, 27114, 27115, 27116)
- R/C electric motor
- Pinion gear (48P), size determined by type/wind of motor
- Battery charger (a peak detection charger, or LiPo compatible charger)
- 2 cell LiPo battery pack (#27318, 27335, 27336, 27337, 27338)
- Polycarbonate specific spray paint

- Cyanoacrylate glue (CA)(#1597)
- Thread locking compound (#1596)
- Tires and Inserts, Fronts and Rears
- Wheels w/12mm Hex
Front Wheels#9690, #9691
Rear Wheels #9695, #9696

:: Other Helpful Items

- Silicone Shock Fluid (Refer to catalog for complete listings)
- Body Scissors (AE Part #1737)
- FT Hex/Nut Wrenches (AE Part #1519, 1650)
- Green Slime shock lube (AE Part #1105)
- Soldering Iron
- Needle Nose Pliers
- FT Body Reamer (#1499)
- FT Ballcup Wrench (#1579)
- FT Dual Turnbuckle Wrench (#1114)
- Hobby Knife
- Shock Pliers (#1675)
- FT Universal Tire Balancer (#1498)
- Calipers or a Precision Ruler
- Wire Cutters


















Associated Electrics, Inc.
21062 Bake Parkway.
Lake Forest, CA 92630











Customer Service
Tel: 949.544.7500
Fax: 949.544.7501

:: Hardware - 1:1 Scale View




Button Head (bhcs)

	2x4mm (31510) Aluminum (8545)
	2.5x6mm (31520)
	2.5x8mm (31521)
	2.5x10mm (31522)
	3x4mm (91158)
	3x5mm (31530)
	3x6mm (31531) Titanium (91580)
	3x8mm (31532) Aluminum (8552) Titanium (91581)
	3x10mm (25211) Aluminum (8554) Titanium (91582)
	3x12mm (89202) Titanium (91583)
	3x14mm (25187) Titanium (91584)
	3x16mm (89203) Titanium (91585)
	3x18mm (2308)
	3x20mm (25188) Titanium (91587)
	3x22mm (25189) Titanium (91588)
	3x24mm (89204) Titanium (91589)
	3x30mm (91478)

Flat Head (fhcs)

	2x3mm (91749)
	2.5x8mm (31448)
	3x8mm (25201) Aluminum (8553) Titanium (91592)
	3x10mm (25202) Aluminum (8555) Titanium (91593)
	3x12mm (25203) Aluminum (8556) Titanium (91594)
	3x14mm (89208) Aluminum (8567) Titanium (91595)
	3x16mm (25204) Titanium (91596)
	3x18mm (89209) Titanium (91597)

Set Screws

	3x2.5mm (31500)
	3x3mm (25225)
	3x10mm (4671)






Shims and Washers

	5.5x0.5mm (31381)
	5.5x1.0mm (31382)
	5.5x2.0mm (31383)
	2.6x6mm Washer (89278)
	3x8mm Washer (89218)










Socket Head (shcs)

	1.6 x 5mm (91611)
---	--------------------------










Ball Bearings

	3x7x3mm (91475)
	5x8x2.5mm (31400)
	5x10x4mm (91560)
	6x13x5 (91562)
	10x15x4 (91563)

Ballstuds

	Silver 5mm long (31283)
	Silver 8mm long (31284)
	HD 6mm (91047)
	Ti Nitride HD 6mm (91118)
	Ti HD 6mm (91751)
	HD 8mm (91048)
	Ti HD 8mm (91752)
	HD 10mm (91049)
	Ti HD 10mm (91753)

Nuts (lock/plain)

	M3 Plain Nut (91477)
	M3 Alum. Locknut, Blue (31550)
	M3 Locknut, Black (25215)
	M3 Locknut w/Flange (25612)
	FT 3mm Locknuts, Blue(25392)
	M4 Nuts:
	Serrated Steel (Silver)(91826)
	Flanged (Black) (91148)
	FT Alum. Locknut (Blue) (25391)
	Serrated Steel (Black) (91738)

Diff Balls

	5/64 Diff Thrust Balls (6574)
	3/32 Carbide Diff Balls (6581)
	3/32 Ceramic Diff Balls (6584)

Notes:

:: Table of Contents

1..... Cover	13 - 14.....Bag 7
2..... Introduction	14 - 15.....Bag 8
3.....1:1 Hardware "Fold Out"	15 - 17..... Bag 9
4..... Table of Contents	17 - 19.....Bag 10
5.....Bag 1	20 - 22..... Tuning Tips
6 - 8.....Bag 2	23 - 31..... Catalog
8 - 9.....Bag 3	31..... Contact Info
9 - 10.....Bag 4	32..... Setup Sheet "Kit Setup"
10 - 11.....Bag 5	33..... Setup Sheet "Blank"
11 - 13.....Bag 6	34..... Back Cover

:: Notes



This symbol indicates a special note or instruction in the manual.



This symbol indicates a Racers Tip.



There is a 1:1 hardware foldout page in the front of the manual. To check the size of a part, line up your hardware with the correct drawing until you find the exact size. Each part in the foldout has a number assigned to it for ordering replacement parts.

**Associated Electrics, Inc.
21062 Bake Parkway
Lake Forest, CA 92630**

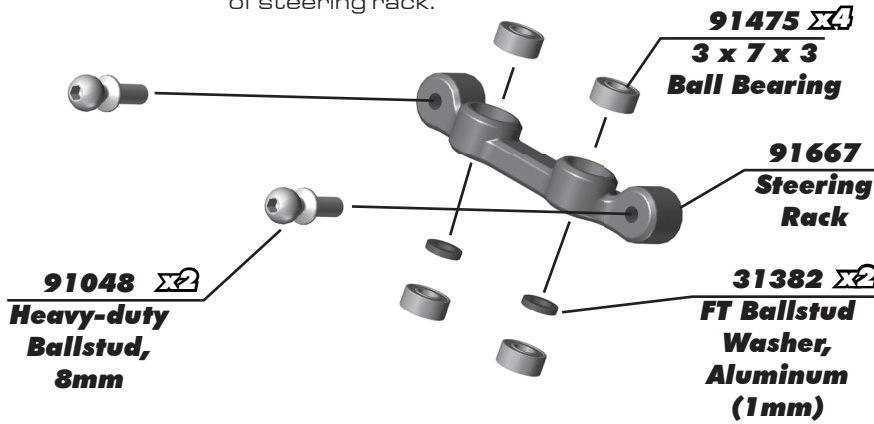


**Customer Service
Tel: 949.544.7500
Fax: 949.544.7501**

:: Bag 1 - Step 1



Note orientation of steering rack.



91667
Steering Bellcrank (Right)

91475 Σ 4
3 x 7 x 3 Ball Bearing



91667
Steering Bellcrank (Left)

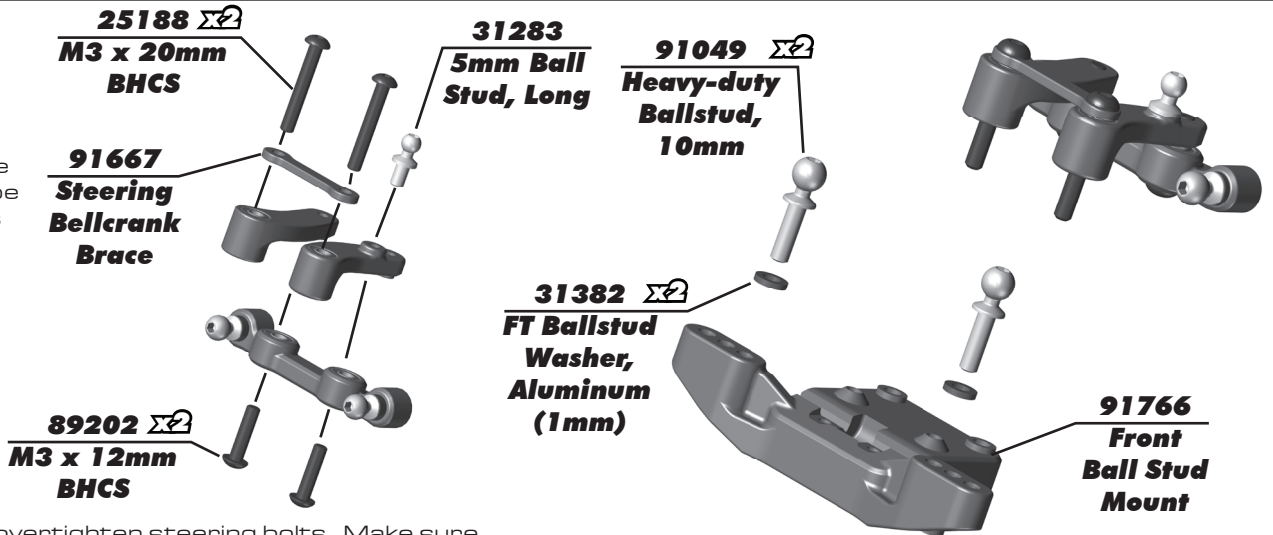
:: Bag 1 - Step 2



The steering bellcrank brace has offsets on one side. They should be installed towards the bearings.



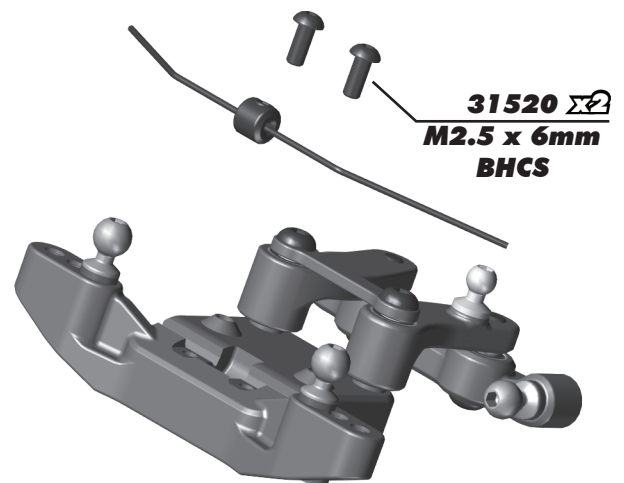
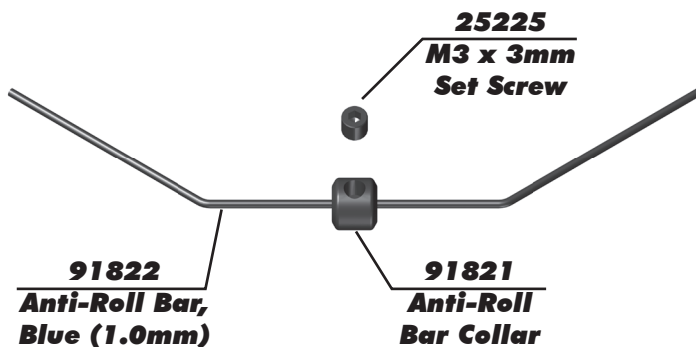
Do not overtighten steering bolts. Make sure there is free movement in the steering rack.



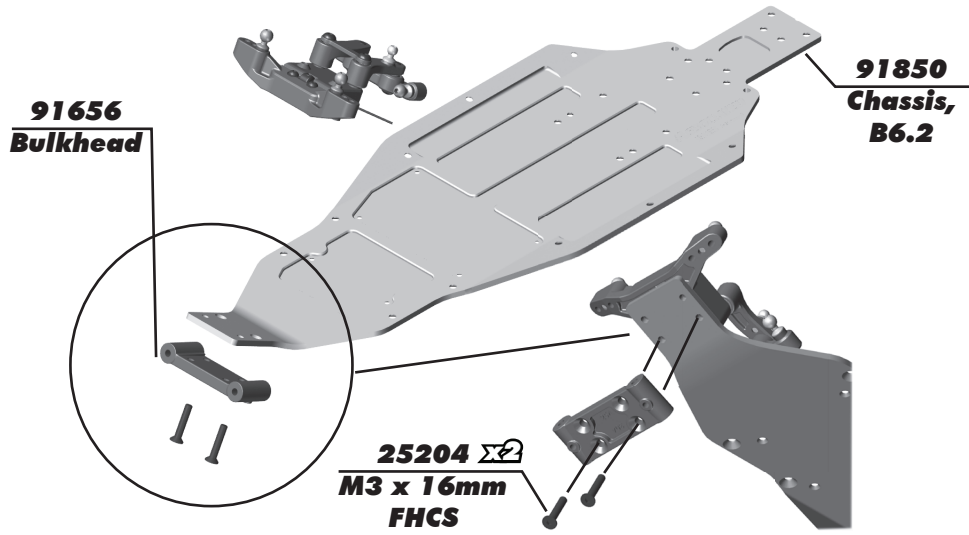
:: Bag 1 - Step 3



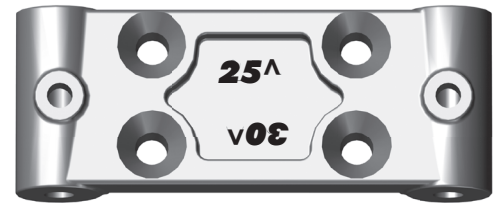
Do not overtighten #25225 - M3 x 3mm set screw. You could bend the bar!



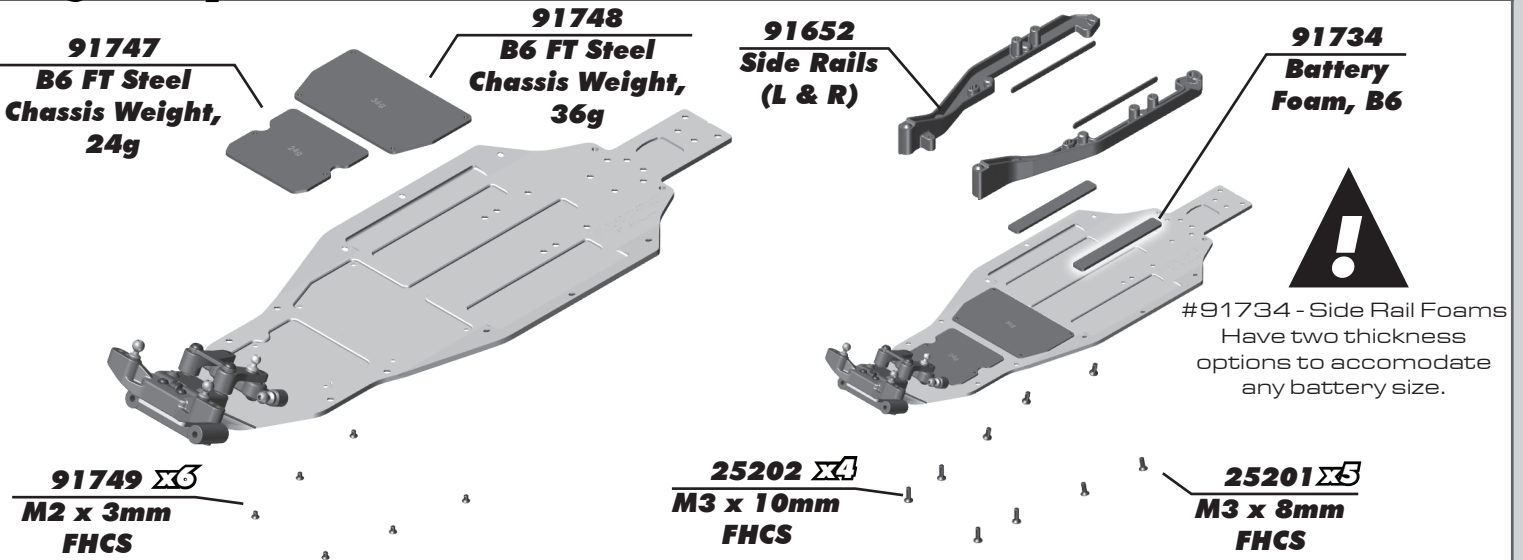
:: Bag 2 - Step 1



There are two bulkhead settings (25°, 30°). 25° is the standard used. The arrow should point forward for the desired setting.

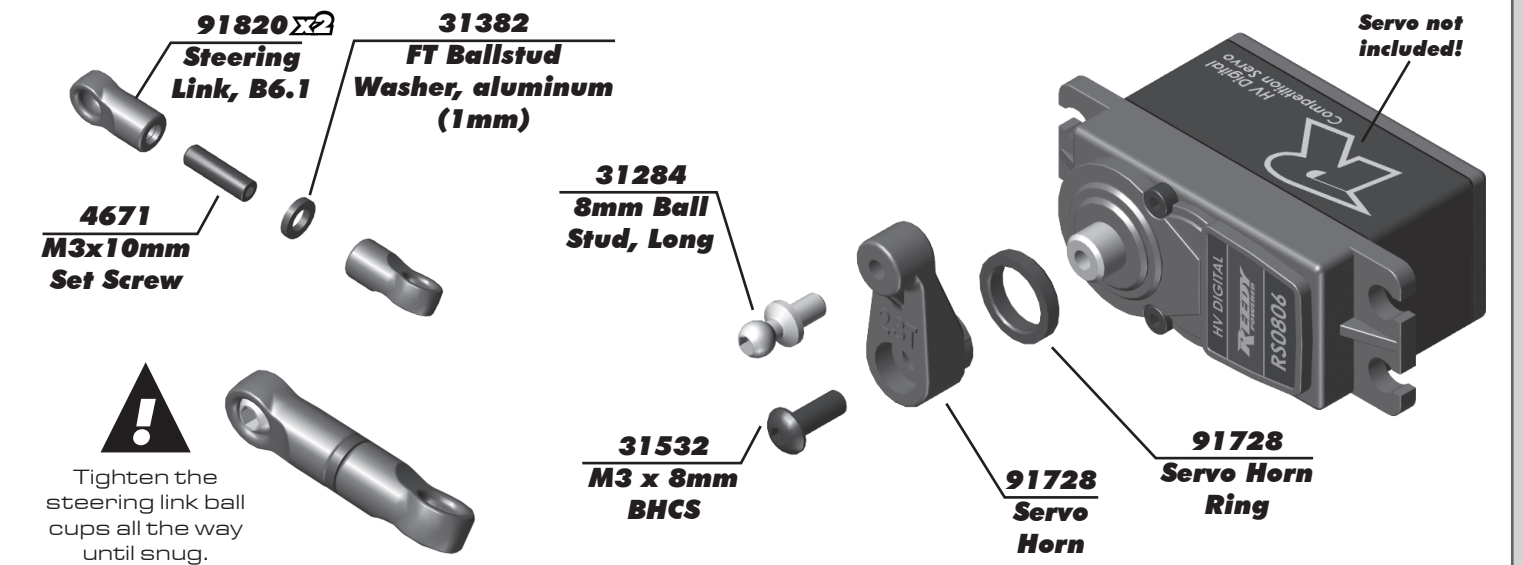


:: Bag 2 - Step 2



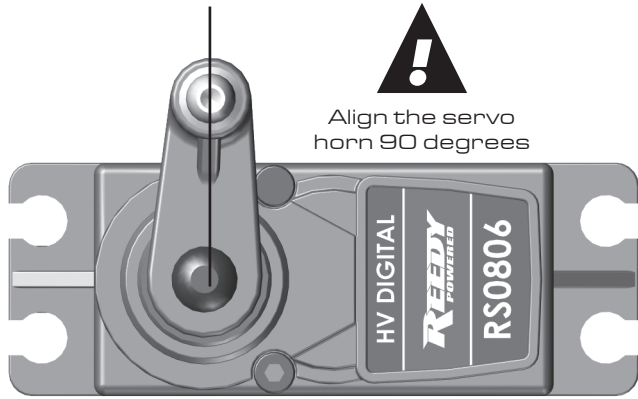
#91734 - Side Rail Foams Have two thickness options to accommodate any battery size.

:: Bag 2 - Step 3

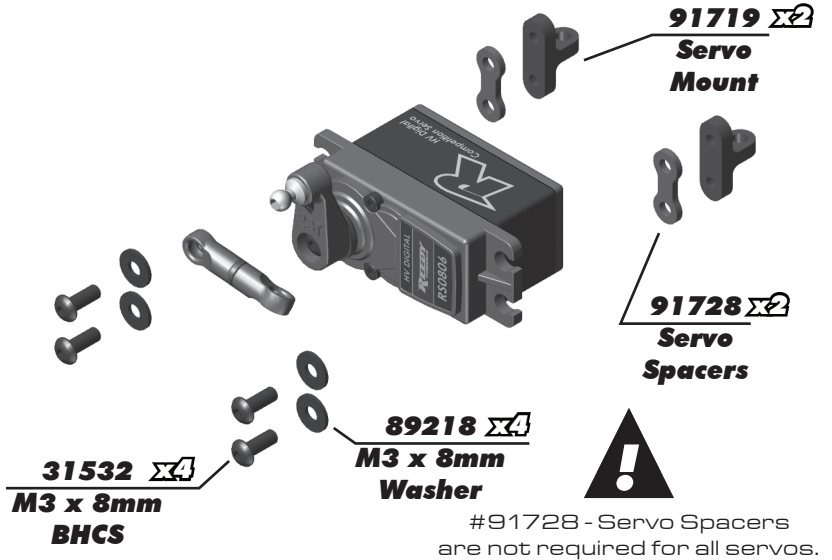


Tighten the steering link ball cups all the way until snug.

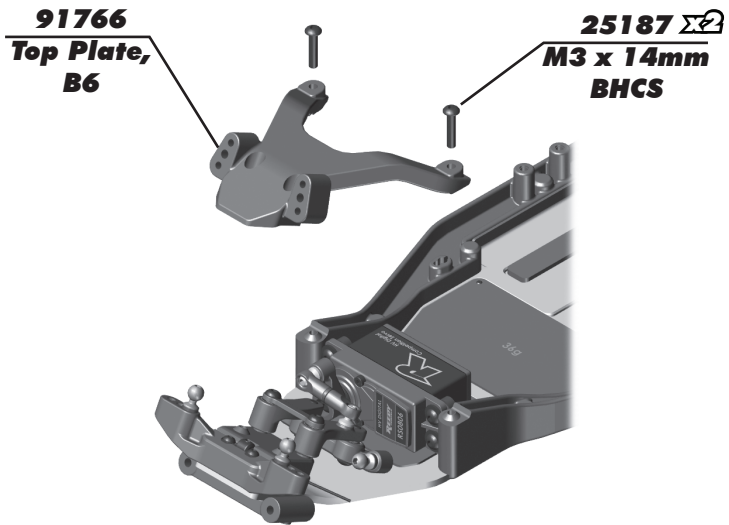
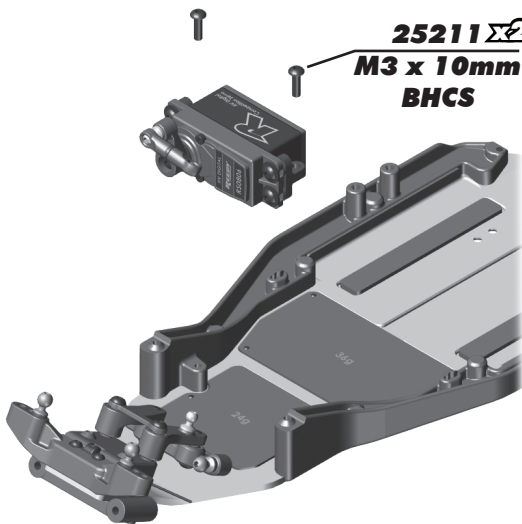
:: Bag 2 - Step 4



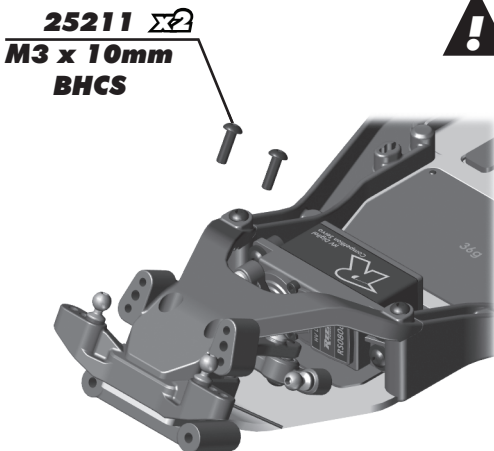
Align the servo horn 90 degrees



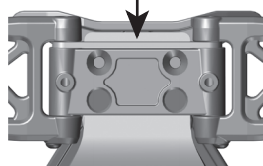
:: Bag 2 - Step 5



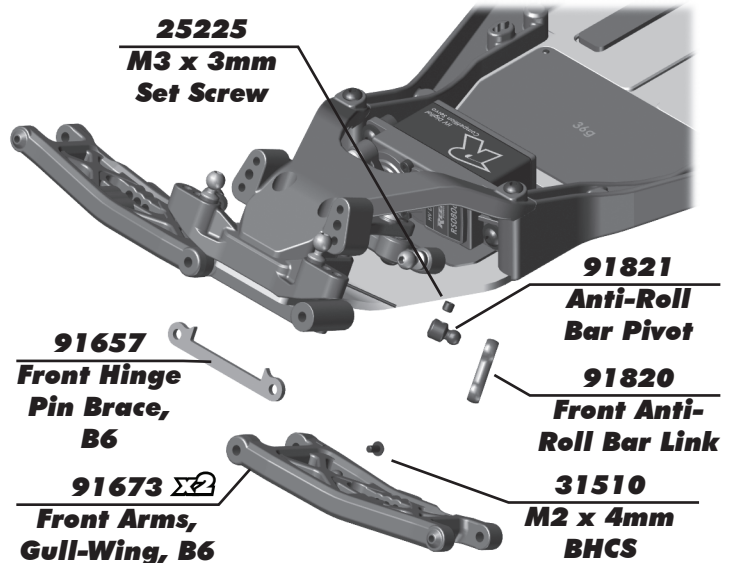
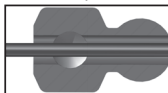
:: Bag 2 - Step 6



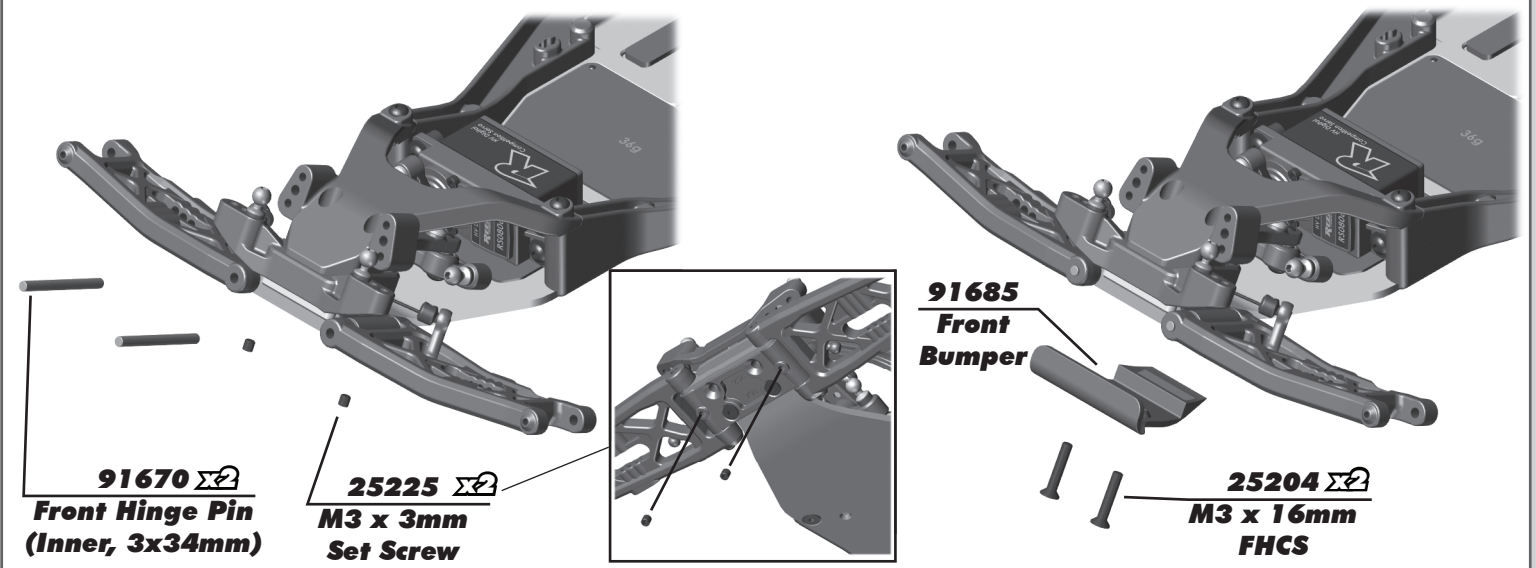
The front hinge pin brace has a sharp edged side, and a rounded edge side. Mount the sharp edge side towards the bulkhead.



bar flush with pivot



:: Bag 2 - Step 7



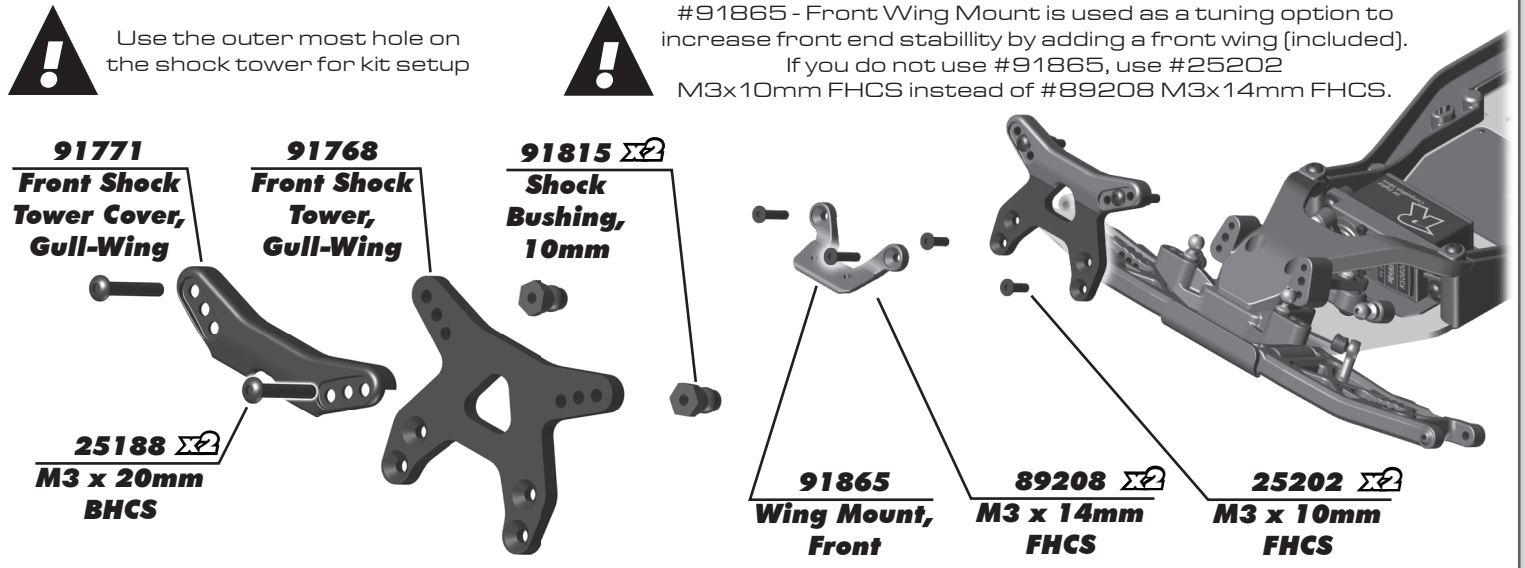
91670 $\Sigma 2$
Front Hinge Pin
(Inner, 3x34mm)

25225 $\Sigma 2$
M3 x 3mm
Set Screw

91685
Front
Bumper

25204 $\Sigma 2$
M3 x 16mm
FHCS

:: Bag 2 - Step 8



91771
Front Shock
Tower Cover,
Gull-Wing

91768
Front Shock
Tower,
Gull-Wing

91815 $\Sigma 2$
Shock
Bushing,
10mm

25188 $\Sigma 2$
M3 x 20mm
BHCS

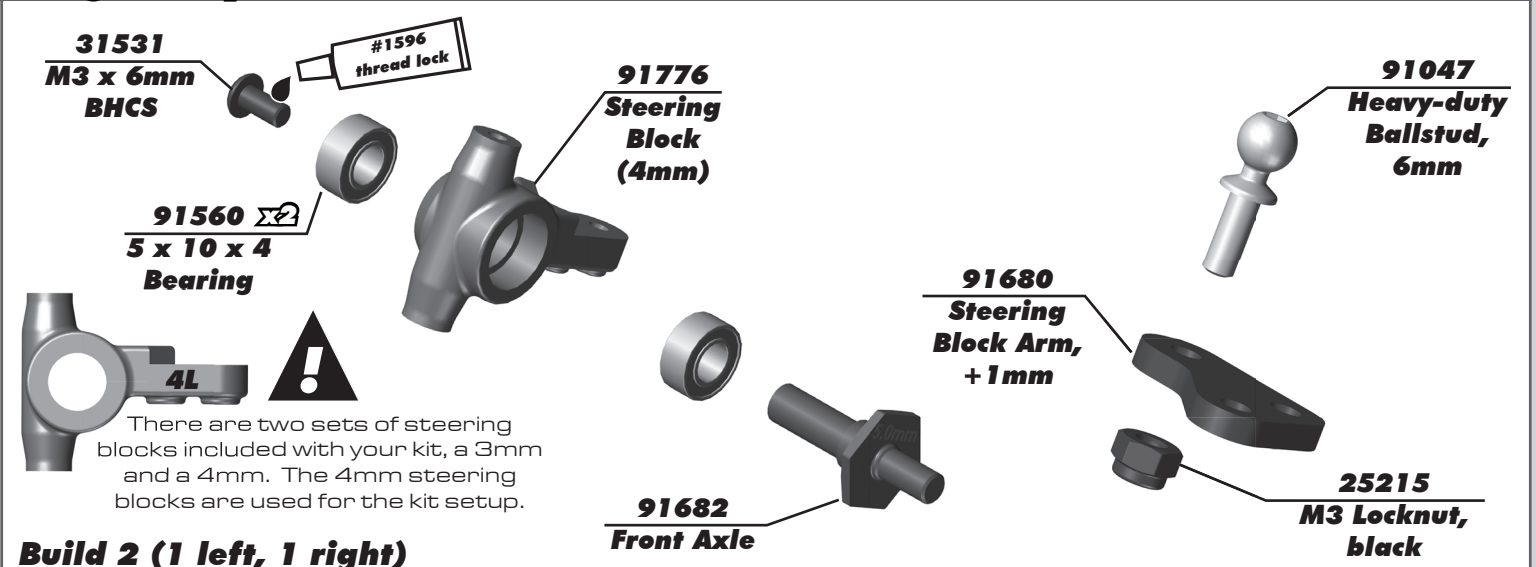
91865
Wing Mount,
Front

89208 $\Sigma 2$
M3 x 14mm
FHCS

25202 $\Sigma 2$
M3 x 10mm
FHCS

! #91865 - Front Wing Mount is used as a tuning option to increase front end stability by adding a front wing (included). If you do not use #91865, use #25202 M3x10mm FHCS instead of #89208 M3x14mm FHCS.

:: Bag 3 - Step 1



31531
M3 x 6mm
BHCS

#1596
thread lock

91776
Steering
Block
(4mm)

91560 $\Sigma 2$
5 x 10 x 4
Bearing

91047
Heavy-duty
Ballstud,
6mm

91680
Steering
Block Arm,
+ 1mm

91682
Front Axle

25215
M3 Locknut,
black

! There are two sets of steering blocks included with your kit, a 3mm and a 4mm. The 4mm steering blocks are used for the kit setup.

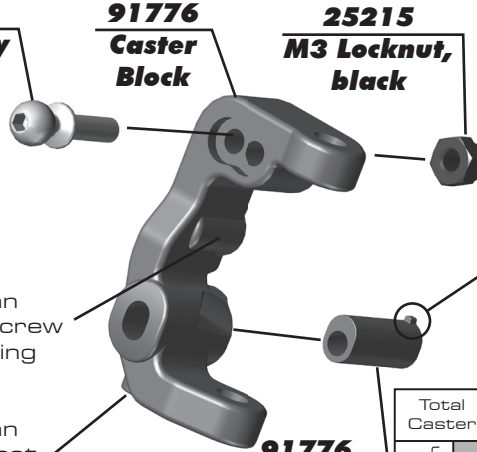
Build 2 (1 left, 1 right)

:: Bag 3 - Step 2



You can install an optional #31520 screw to use as a steering stop setting.

You can install an optional #4670 set screw to better hold the caster block inserts and hinge pin.



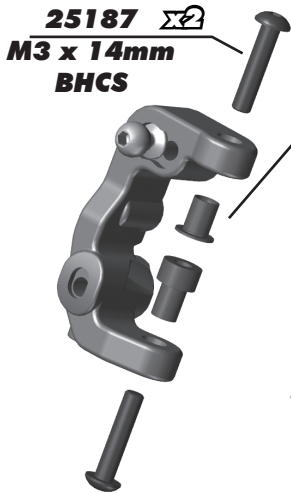
There are three caster block inserts included (0°, +/- 2.5°, +/- 5°). +5° is the standard insert used.
Tab up = positive caster
Tab down = negative caster

Total Caster		Caster Block Insert				
		0	2.5 up	2.5 down	5 up	5 down
Bulkhead Orientation	25°	25°	27.5°	22.5°	30°	20°
	30°	30°	32.5°	27.5°	35°	25°

Build 2 (1 left, 1 right)

91776 Caster Block Insert (+5°)

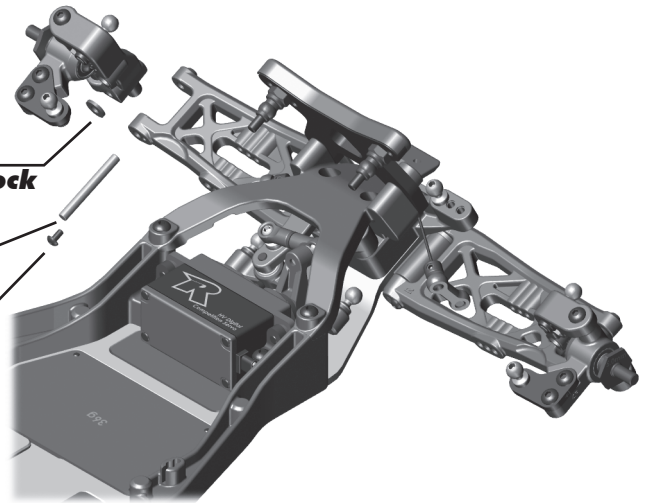
:: Bag 3 - Step 3



91676 Caster Hat Bushing
Top: 0mm
Bottom: 3mm

91670 Front Hinge Pin (Outer, 3x26mm)

31510 M2 x 4mm BHCS

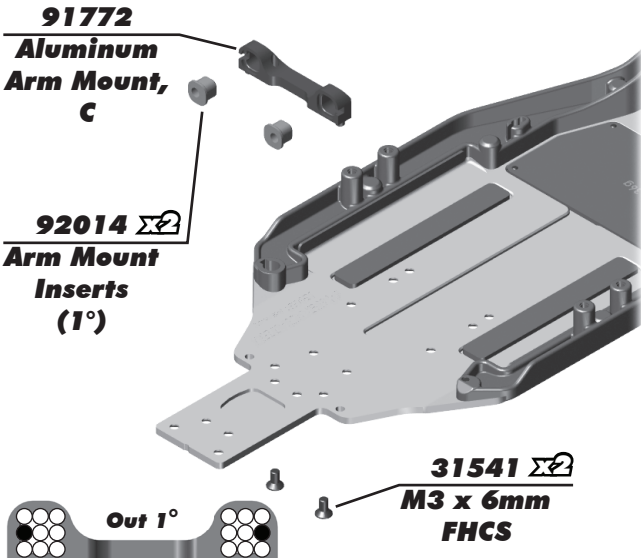


#91670 - Hinge Pin will be tight in the caster blocks, but should rotate freely in the front arms.

Build 2 (1 left, 1 right)

Build 2 (1 left, 1 right)

:: Bag 4 - Step 1



See next step for pill chart tips



91855 Rear Arm Saper

92014 Arm Mount Inserts (1°)

91685 Rear Bumper

91688 Aluminum Arm Mount, D

91670 Rear Hinge Pin (Inner, 3.5x48mm)

91855 B6.2 Rear Arms, 75mm



:: Bag 4 - Step 2



The (#91772) C and (#91688) D aluminum arm mounts allow for a large amount of setup combinations when using the (#92014) 0.5° and 1° arm mount inserts.

For a complete list of pill setup combinations, please visit our website by using the link or QR code below.

https://www.teamassociated.com/pdf/cars_and_trucks/RC10B6/B6_B6D_Pill-Chart.pdf



C Plate Out 1°	Toe-In	Anti-Squat
D Plate In 1°	1° Kit Setup	1° Kit Setup

:: Bag 5 - Step 1

91780
Gear Diff washer
5x15mm

91783
Gear Diff Gear

91782
Gear Diff O-Ring

#6588
black grease

91785
Gear Diff Outdrive

91780
Gear Diff Sun Gear

91785
Gear Diff Outdrive Pin

One pocket is flat for inserting the #91785 gear diff outdrive pin.

:: Bag 5 - Step 2

91783
Gear Diff Crosspin

#6588
black grease

91780 **X4**
Planet Gear Diff Shim
3.5 x 9mm

91780 **X4**
Planet Gear

91782 **X4**
Gear Diff O-Ring
3.3 x 0.6mm

#6588
black grease

91780
Gear Diff washer
5x15mm

91783
Gear Diff Cover

#6588
black grease

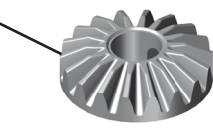
91782
Gear Diff O-Ring

91785
Gear Diff Outdrive

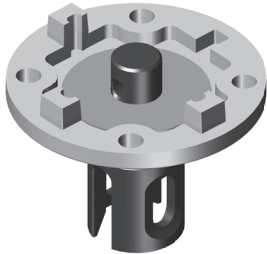
!
#91782 3.3x0.6mm Gear Diff O-Rings are a tuning option. Kit setup is built without O-Rings

:: Bag 5 - Step 3

91780
Gear Diff
Sun Gear



91785
Gear Diff
Outdrive Pin



91782
Gear Diff
Gasket

31522
M2.5 x 10mm
BHCS



Diff fluid
#5A53



Fill to top of the
cross pins

:: Bag 6 - Step 1

91799
B6.1 Laydown
Top Shaft

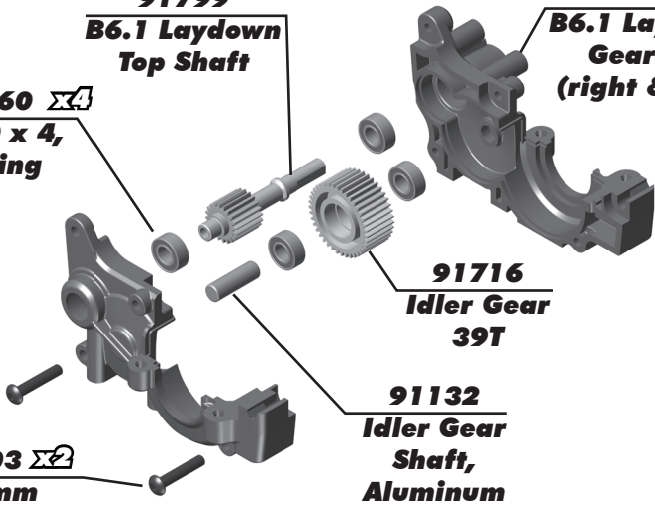
91791
B6.1 Laydown
Gearbox
(right & left)

31448
2.5x8mm
FHCS

91560
5 x 10 x 4,
Bearing

91048
Heavy-duty
Ballstud, 8mm

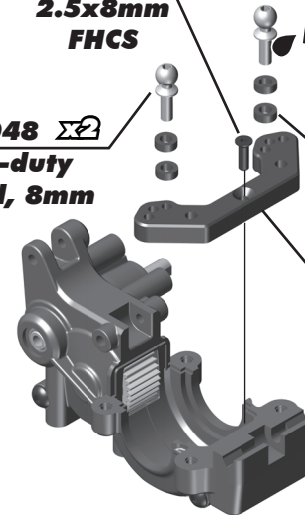
#1596
thread lock



91716
Idler Gear
39T

91132
Idler Gear
Shaft,
Aluminum

89203
3x16mm
BHCS



31383
Ballstud
Washers,
5.5x2.0mm,
Blue Aluminum

91775
B6.1 Rear
Ballstud
Mount,
Aluminum

:: Bag 6 - Step 2

91821
Anti-Roll
Bar Pivot

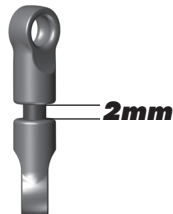


4671
M3 x 10mm
Set Screw

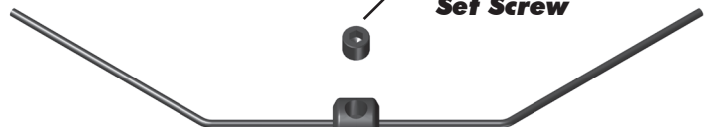


Do not overtighten
#25225 - M3 x 3mm set screw.
You could bend the bar!

91820
Steering Link
Ball Cup



25225
M3 x 3mm
Set Screw



91823
Anti-Roll Bar,
Gray (1.3mm)

91821
Anti-Roll
Bar Collar

Build x2 (right and left side)

:: Bag 6 - Step 3

Diff Height	
	3 Kit Setup
	2
	1
	0



Add a drop of Diff Lube (#6591 - not included) to the teeth of the diff gear, idler gear, and top shaft.

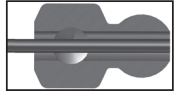
91563 **10x15x4 Bearing**

91792 **B6.1 Diff Height Insert**

91791
B6.1 Laydown Gearbox Top

25225
M3 x 3mm Set Screw

bar flush with pivot



:: Bag 6 - Step 4

89202
3 x 12mm BHCS

89203
3 x 16mm BHCS

25225
M3 x 3mm Set Screw

91709
Lay-Down Chassis Brace

91819
B6.1 Shock Pivot Ball

89203
3 x 16mm BHCS

25188
3 x 20mm BHCS

:: Bag 6 - Step 5

91803
B6.1 Slipper Hub, Inner

91811
B6.1 Spur Gear, 78T

9611
Slipper Pad, V2

There's also a 72T, 48P spur gear (#91809) included for stock motor use!

25202
3 x 10mm FHCS

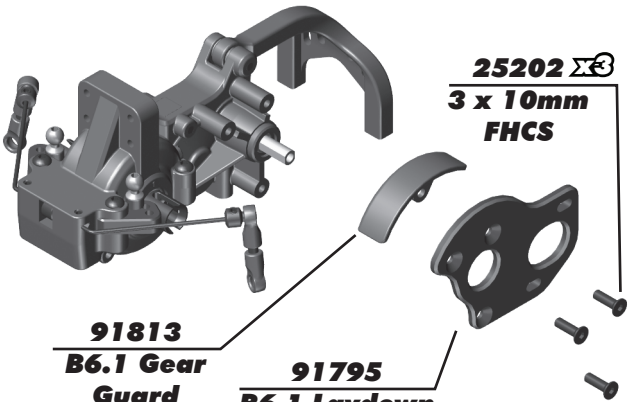
#91811 spur gear walls should point away from gear box.

91805
B6.1 HTC Slipper Hub, Outer

91799
B6.1 Top Shaft Screw and Pin

91813
B6.1 Gear Guard

91795
B6.1 Laydown Motor Plate



:: Bag 6 - Step 6

25612
M3 Locknut,
Flanged

91801
Slipper Spring
Adapter, Inner

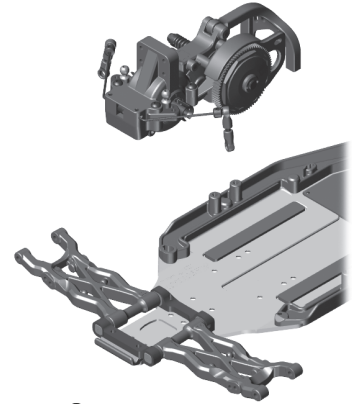
91801
Slipper Spring
Adapter, Inner

91801
Slipper
Spring



Set nut
flush with
top shaft.

See page 20 for gear
mesh, and slipper clutch
setting instructions!



25204 $\Sigma 2$
M3 x 16mm
FHCS

25202 $\Sigma 3$
M3 x 10mm
FHCS

:: Bag 6 - Step 7

89218 $\Sigma 2$
M3 x 8mm
Washer

25189 $\Sigma 2$
M3 x 22mm
BHCS

91718 $\Sigma 2$
Rear Wing
Mount

91769
Rear Shock
Tower, B6.1

91718 $\Sigma 2$
Rear Wing
Mount Spacer

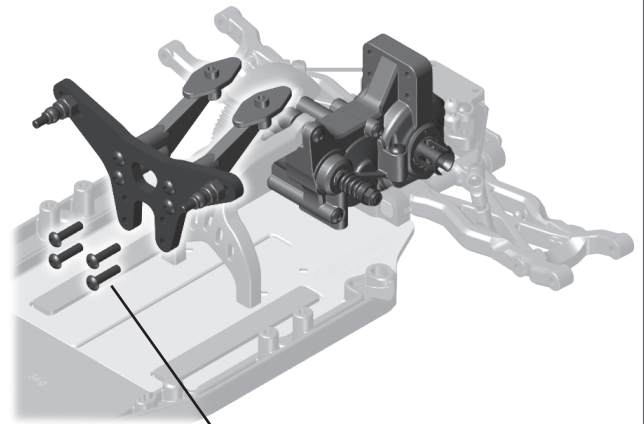
91816 $\Sigma 2$
Shock
Bushing,
12mm

25188 $\Sigma 4$
M3 x 20mm
BHCS



#91718 Rear Wing Mount Spacers can be used as a tuning option to help improve rear traction by moving the rear wing farther back. If you do not use #91718, use #89202 3x12mm BHCS instead of #25188 3x20mm BHCS.

89202 $\Sigma 4$
M3 x 12mm
BHCS



:: Bag 7 - Step 1

91047
Heavy-duty
Ballstud,
6mm

#1596
thread lock

31383 $\Sigma 3$
Ballstud Washers,
5.5x2.0mm, blue

92179
B6.2 Rear
Hub Inserts

92180
Rear Hub
Link Mounts

91857
B6.2 Rear
Hubs

#1596
thread lock

89202 $\Sigma 2$
M3 x 12mm
BHCS

Build x2 (right and left side)

Rear Axle Height

↑ 3	0 ↓		3 ↑	+3mm Kit Setup
↑ 2	1 ↓		2 ↑	+2mm
↓ 2	1 ↑		1 ↑	+1mm
↓ ε	0 ↑		0 ↑	+0mm

:: Bag 7 - Step 2

91438 CVA Coupler

91860 CVA Bone, 69mm

91438 CVA Pin

#6588 black grease

91859 B6.2 CVA Axle, +2mm

91563 10 x 15 x 4 Bearing

91567 5 x 12 x 4 Bearing

Build x2

Build x2 (right and left side)

:: Bag 7 - Step 3

91436 CVA Wheel Hex Pin

91609 Clamping Wheel Hex, 5mm Offset (rear)

91611 M1.6 x 5mm SHCS

92188 Rear Hub Hinge Pin

92179 Rear Hub Spacer

25215 M3 Locknut

Do not overtighten the 1.6 x 5mm SHCS into the Clamping wheel hex.

Hinge Pin will be tight in the rear hub, but should rotate freely in the rear arms.

Build x2 (right and left side)

Build x2 (right and left side)

:: Bag 8 - Step 1

91722 Ball Cup

91723 Turnbuckle 3x48mm

91722 Ball Cup

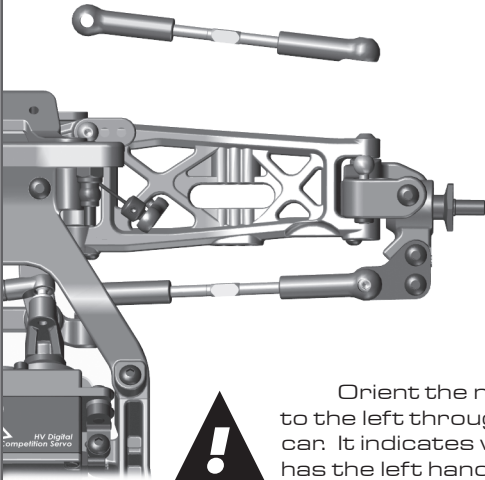
Steering Turnbuckle 27.60mm

Racers Tip: Use black grease (#6588) on the threads of the turnbuckles for easier ball cup installation!

Orient the notch to the left throughout the car. It indicates which end has the left hand threads!

Build x2 (right and left side)

:: Bag 8 - Step 2



Orient the notch to the left throughout the car. It indicates which end has the left hand threads!



91722
Ball Cup



91723
Turnbuckle
3x48mm



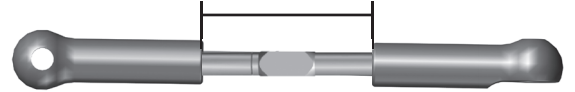
91722
Ball Cup



Racers Tip:

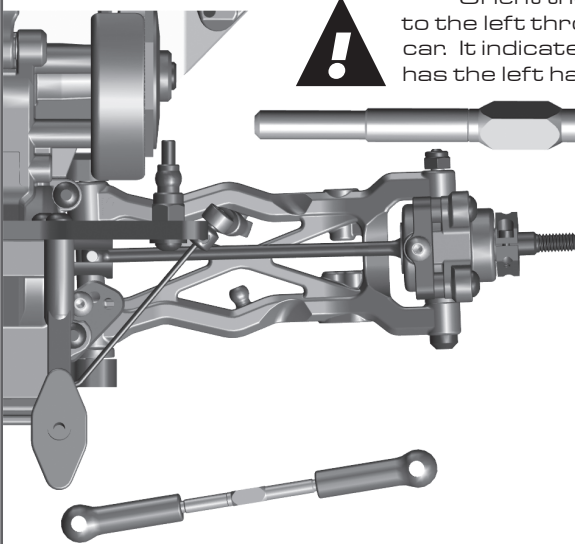
Use black grease (#6588) on the threads of the turnbuckles for easier ball cup installation!

Front Camber Turnbuckle
26.90mm



Build x2 (right and left side)

:: Bag 8 - Step 3



Orient the notch to the left throughout the car. It indicates which end has the left hand threads!



91722
Ball Cup



91723
Turnbuckle
3x48mm



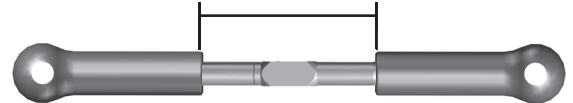
91722
Ball Cup



Racers Tip:

Use black grease (#6588) on the threads of the turnbuckles for easier ball cup installation!

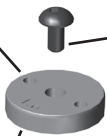
Rear Camber Turnbuckle
28.70mm



Build x2 (right and left side)

:: Bag 9 - Step 1

91626
FT 12mm V2
Shock Piston,
2x1.6 flat
(front)



31510
M2 x 4mm
BHCS

89278
2.5mm
Washer

91629
FT 12mm V2
Shock Piston,
2x1.8 flat
(rear)



91615
V2 3 x 21
Shock Shaft
TiN (front)

91619
V2 3 x 27.5
Shock Shaft
TiN (rear)



Mount the shock pistons with the number facing up!



Racers Tip:

Use a marker over the numbers on the pistons to make them easily visible!

91480
12x23mm V2
Shock Bodies
(front)

91481
12x27.5mm
V2 Shock
Bodies (rear)

91493 
X-Ring

91495
V2 Shock
Spacer

91495 
V2 Shock
Hat Bushing



91491
12mm
Shock Cap
O-Ring

31327
VCS3 Shock
Bottom Cap
O-Ring

#1105
green slime

31327
VCS3 Shock
Bottom Cap



Lightly rub shock oil on the o-ring before installation!



Racers Tip:

Coating the o-rings with green slime (#1105) helps seal & reduce o-ring swell! **Green slime not included in kit!**

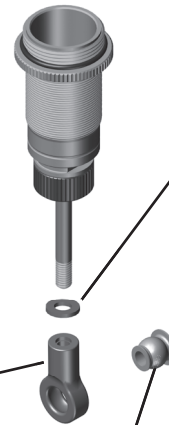
:: Bag 9 - Step 2



There is a short and long shock eyelet.
Front and rear shocks use the long eyelet.



91820
Shock Eyelet
Front Shocks - Short
Rear Shocks - Long



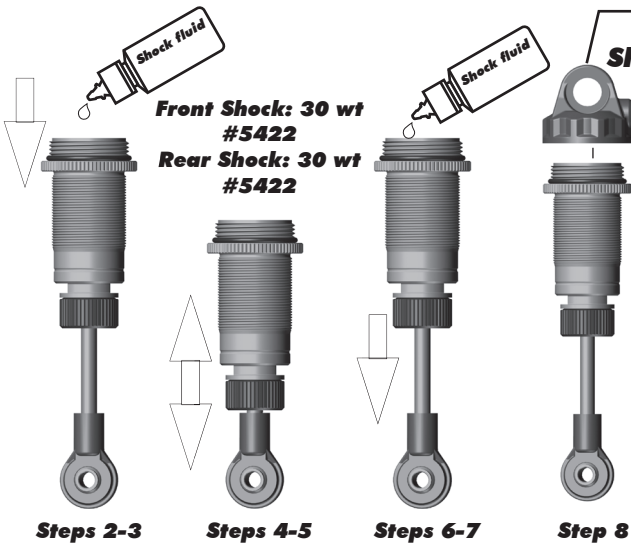
4187
Nylon Spacer,
(.030)

Front:
0 spacers

Rear:
1 spacers

91819
Shock
Pivot Ball

:: Bag 9 - Step 3



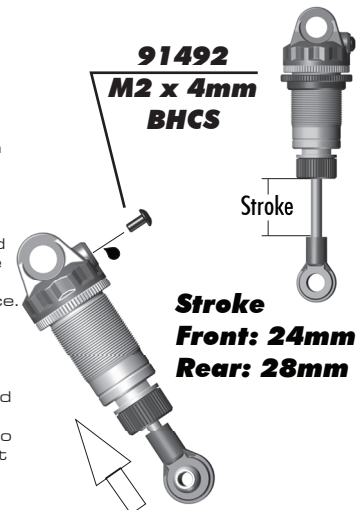
91814

12mm Shock Cap

Shock Bleeding Steps:

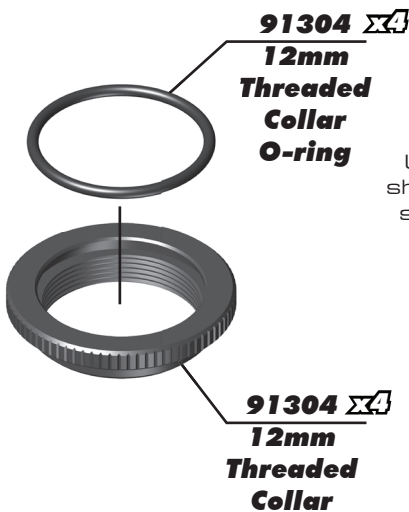
1. Before assembly, get each bleed screw and thread it 1-2 turns into the shock cap, then remove the screw. This will make it easier when you are bleeding your shocks.
2. Pull shock shaft down.
3. Fill shock body 3/4 full with silicone shock fluid.
4. Slowly move the shock shaft up and down to remove air from under the piston.
5. Wait for bubbles to come to surface.
6. Fill shock body to top with silicone shock fluid.
7. Place a drop of oil in the cap and on cap threads.
8. Install cap (without bleed screw) and tighten completely.
9. Slowly compress shaft all the way to bleed excess silicone shock fluid out the hole in the cap (use rag around shock to catch excess fluid).
10. Install M2x4mm button head screw until snug while shaft is fully compressed.

91492
M2 x 4mm
BHCS



Steps 9-10

:: Bag 9 - Step 4



Racers Tip:

Use your finger to rub shock oil on the o-ring for smoother adjustment!

91835
12mm Front
Spring, RED
(4.60lb)

91840
12mm Rear
Spring, BLUE
(2.21lb)

#91814 12mm Shock Spring Cups
0mm 5mm 9mm



Front:
4.20mm
Rear:
8.70mm

91814
12mm shock
spring cup
(Front - 5mm
Rear - 0mm)

Build x2 front and x2 rear shocks

:: Bag 9 - Step 5

!
Use outside hole in front arm!

25188
M3 x 20mm
BHCS

Build x2 (right and left side)

25612
M3 Locknut
w/Flange

!
Make sure the flange on the shock pivot ball is towards the rear arm.

25612
M3 Locknut
w/Flange

25187
M3 x 14mm
BHCS

Build x2 (right and left side)

:: Bag 10 - Step 1

Pinion / Setscrew not included!

!
See page 21 for gear mesh setting instructions!

Motor not included!

31532 x2
M3 x 8mm
BHCS

89218 x2
3 x 8mm
Washer

91867
Fan
Mount

89203
M3 x 16mm
BHCS

!
Use cap mount if not installing a fan.

Fan not included!

25202
M3 x 10mm
FHCS

:: Bag 10 - Step 2

Receiver not included!

ESC not included!

6727
Servo
Tape

25225
M3 x 3mm
Set Screw

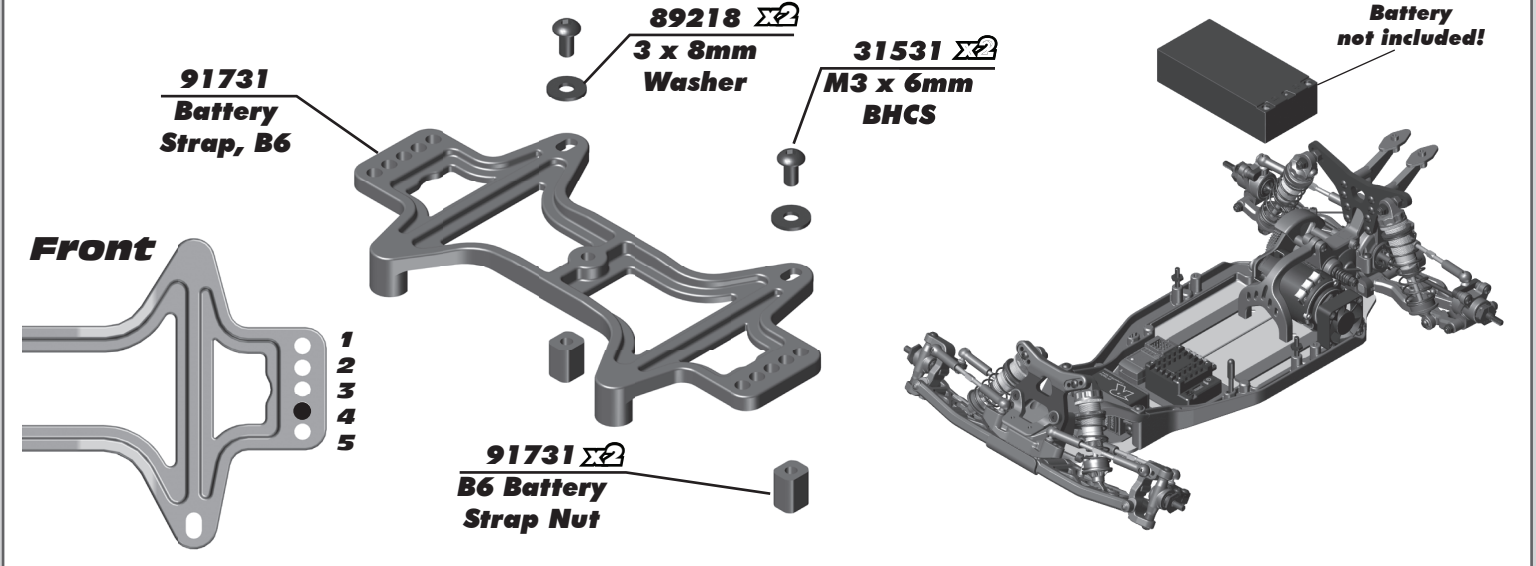
6338
Antenna
Tube & Cap

!
Antenna can be mounted on the right or left side of the chassis.

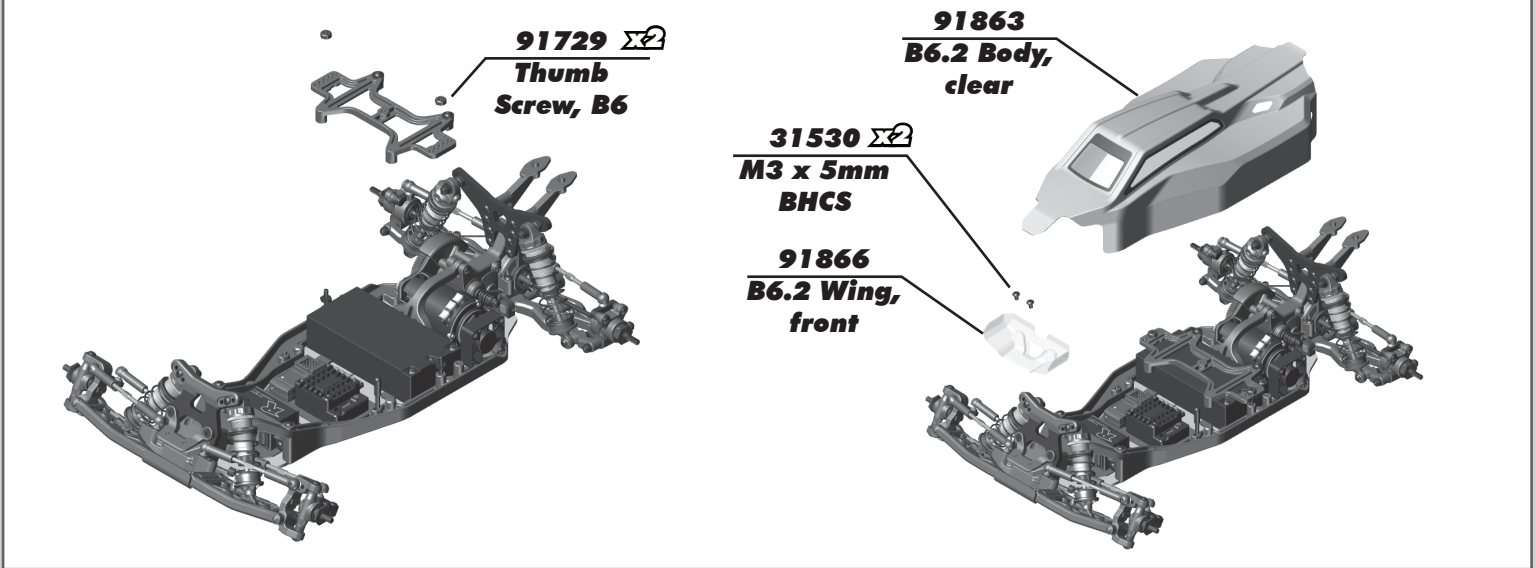
91730 x2
Battery Strap
Shoulder
Screw

!
Make sure the battery strap shoulder screw is flush with the top of your battery pack!

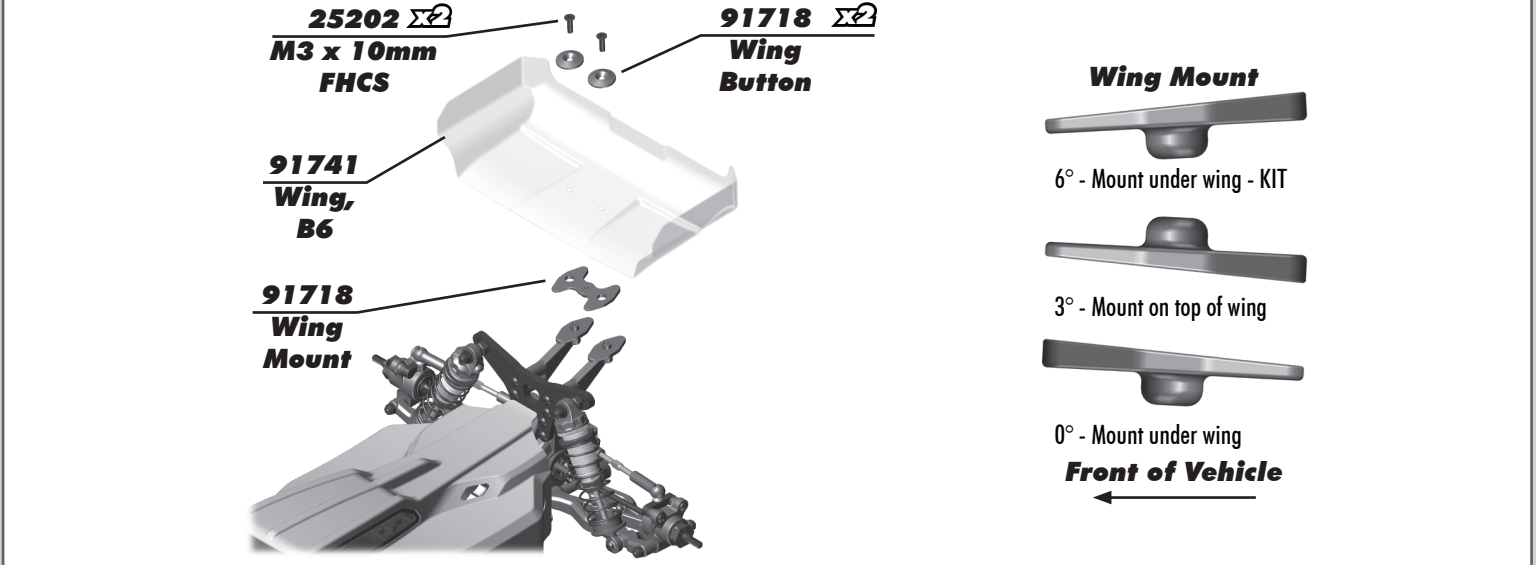
:: Bag 10 - Step 3



:: Bag 10 - Step 4



:: Bag 10 - Step 5

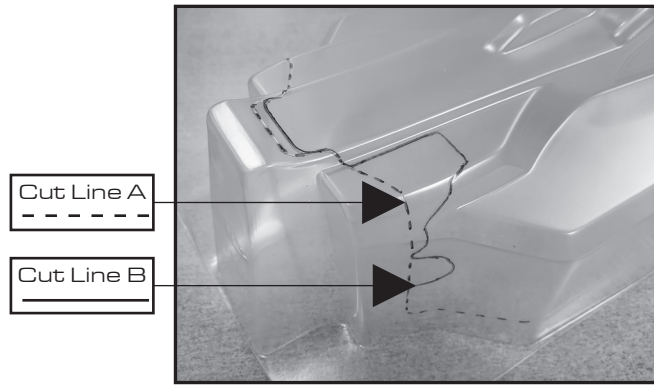


:: Bag 10 - Step 6

Body Trimming / Mounting:

There are 2 body trimming options depending on what transmission you choose to run.

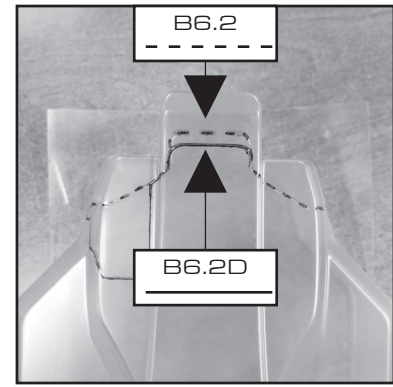
- Cut Line A is for laydown/layback transmissions.
- Cut line B is for 4 gear transmission.



Body Trimming for Length:

There are 2 body trimming options depending on what transmission you choose to run.

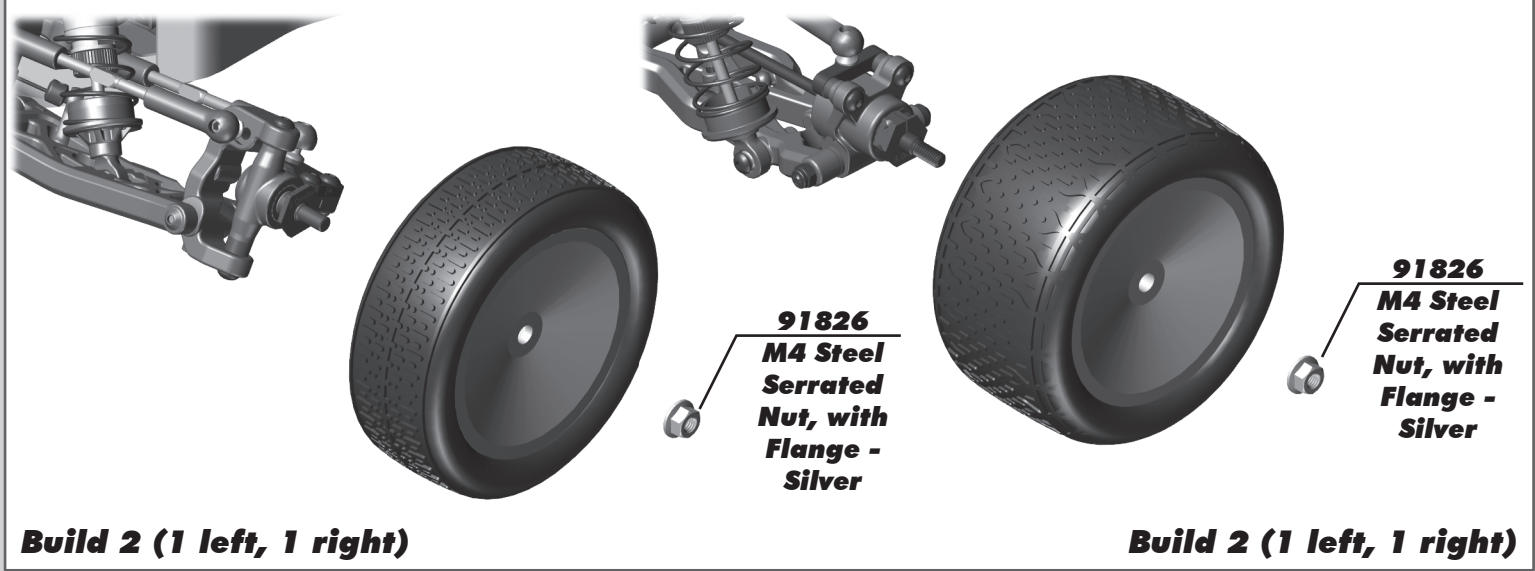
- Cut the body on the top/rear, long for the B6.2, shorter for the B6.2D



:: Bag 10 - Step 7



:: Bag 10 - Step 8



:: Tuning Tips

Painting:

Your Kit comes with a clear polycarbonate body. You will need to prep the body before you can paint it. Wash the INSIDE thoroughly with warm water and liquid detergent (do not use any detergents with scents or added hand lotion ingredients!). Dry the body using a clean, soft, lint-free cloth. Use the supplied window masks to cover the windows from the INSIDE of the body (RC cars get painted on the inside). Using high quality masking tape, apply tape to the inside of the body to create a design. Spray (use either rattle can or airbrush) the paint on the inside of the body (preferably dark colors first, lighter colors last). NOTE: ONLY use paint that is recommended for (polycarbonate) plastics. If you do not, you can destroy the body! After the paint has completely dried (usually after 24 hours), cut the body along the trim lines. Make sure to drill or use a body reamer to make the holes for the antenna if needed! Use hook and loop tape to secure the body to the side rails of the vehicle.

Tips for Beginners:

Before making any changes to the standard setup, make sure you can get around the track without crashing. Changes to your vehicle will not be beneficial if you can't stay on the track. Your goal is consistent laps. Once you can get around the track consistently, start tuning your vehicle. Make only ONE adjustment at a time, testing it before making another change. If the result of your adjustment is a faster lap, mark the change on the included setup sheet (make additional copies of the sheet before writing on it). If your adjustment results in a slower lap, revert back to the previous setup and try another change. When you are satisfied with your vehicle, fill in the setup sheet thoroughly and file it away. Use this as a guide for future track days or conditions. Periodically check all moving suspension parts. Suspension components must be kept clean and move freely without binding to prevent poor and/or inconsistent handling.

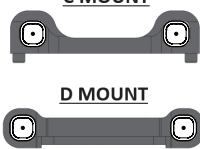
Rear Arm Mount Pill Insert Setup:

The aluminum rear arm mounts utilize eccentric pill inserts to anti-squat, toe, pin height, and pin width. Adjustments can be made using the supplied inserts (#92014)

Standard Position

Use this position as a reference when changing pill locations.

Toe: 3°
Anti-squat: 1°
Roll Center: +0
Pivot Width: +0



Insert Hole Locations

Dot indicates orientation of hole position



Number indicates degree of change: 0.5°, 1.0°, & 0° (center dot)



Hole 0.5° or 0.35mm from center



Hole 1.0° or 0.7mm from center

Anti-Squat Angle

More angle = More anti-squat
Less angle = Less anti-squat



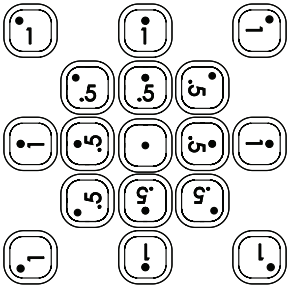
C MOUNT

D MOUNT

*Shown in 1° changes

		= 1°
		= 0°
		= -1°
		= 2°
		= 1°
		= 0°
		= 3°
		= 2°
		= 1°

Possible Insert Locations



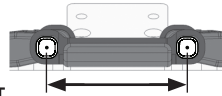
For additional setup tips, please visit our website by using the link or QR code below.

https://www.teamassociated.com/pdf/cars_and_trucks/RC10B6/B6_B6D_Pill-Chart.pdf



Pin Width

More distance = wider pivot
Less distance = narrower pivot



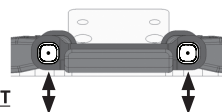
C MOUNT

D MOUNT

		= +1.4mm
		= +0.7mm
		= 0mm
		= -0.7mm
		= -1.4mm

Pin Height

Higher pin = Higher roll center
Lower pin = Lower roll center



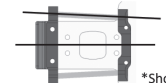
C MOUNT

D MOUNT

		= +0.7mm
		= +0.35mm
		= 0mm
		= -0.35mm
		= -0.7mm

Toe Angle

More angle = More toe in
Less angle = Less toe in



*Shown in 1° changes

C MOUNT

D MOUNT

		= 3°
		= 4°
		= 5°
		= 2°
		= 3°
		= 4°
		= 1°
		= 2°
		= 3°

:: Tuning Tips (cont.)

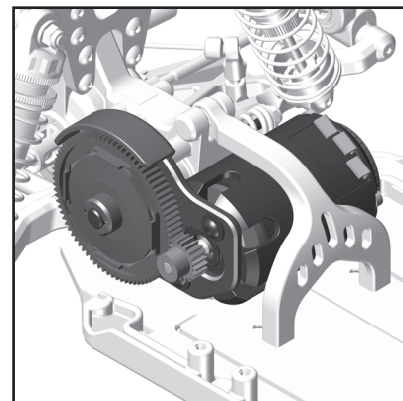
Motor Gearing:

Proper motor gearing will result in maximum performance and run time while reducing the chance of overheating and premature motor failure. The gear ratio chart lists recommended **starting gear ratios** for the most widely used motor types. Gear ratios will vary depending upon motor brand, wind, and electronic speed control. Consult your motor and electronic speed control manufacturers for more information.

Team Associated is not responsible for motor damage due to improper gearing.

B6 Gear Ratio Chart (Internal Gear Ratio 2.60:1)

Motor	Pinion	Spur	Final Drive Ratio
21.5 Reedy S-Plus Brushless	33	72	5.67:1
17.5 Reedy S-Plus Brushless	29	72	6.45:1
13.5 Reedy S-Plus Brushless	27	75	7.22:1
10.5 Reedy 540-M3 Brushless	24	78	8.45:1
9.5 Reedy 540-M3 Brushless	23	78	8.82:1
8.5 Reedy 540-M3 Brushless	22	78	9.22:1
7.5 Reedy 540-M3 Brushless	21	78	9.65:1
6.5 Reedy 540-M3 Brushless	20	78	10.14:1



Set The Gear Mesh:

You should be able to rock the spur gear back and forth in the teeth of the pinion gear without making the pinion gear move. If the spur gear mesh is tight, then loosen the #31532 screws and move the motor away, then try again. A gear mesh that is too tight or too loose will reduce power and damage the gear teeth.

Diff Height Adjustment:

The diff height adjustment is a good way to tune the car for grip level. On high grip with low ride heights, a higher diff height will be a good option. On lower grip with higher ride heights, a lower diff height will be better.

Gear Box Type:

Selecting the correct gear box is dependent on the type of track it will be used on. The optional 4 gear stand-up gear box is for the lowest grip conditions. This gear box moves the weight towards the rear of the car and also uses the rotation of the motor to transfer weight to the rear while on-power. The 3 gear stand-up gear box also moves the weight towards the rear of the car, but in this configuration, the motor's rotation helps with on-power steering. The lay-down gear box is used on high grip conditions when on-power steering and stability are most important. This gear box will change directions the quickest and generate the most steering. Layback is used for most indoor clay track conditions.

Slipper Clutch:

The assembly instructions give you a base setting for your clutch. Turn the nut on the shaft so that the end of the top shaft is even with the outside of the nut. At the track, tighten or loosen the nut in 1/8 turn increments until you hear a faint slipping sound for 1-2 feet on takeoffs. Another popular way to set the clutch is to hold both rear tires firmly in place and apply short bursts of throttle. If the clutch is properly set, the front tires should lift slightly up off the surface.

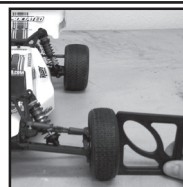
Caster:

Caster describes the angle of the caster block as it leans toward the rear of the vehicle. Positive caster means the kingpin leans rearward at the top. The kit includes three inserts to adjust caster angle at the caster block, 0°, 2.5°, and +5°. The total caster angle is the sum of the kick-up angle and the caster block angle. Standard total caster angle for the B6 is 30°, with 25° kick-up and +5° caster block angle.

For less entry steering and more exit steering, try 0° caster block angle.

Front Camber:

Camber describes the angle at which the tire and wheel rides when looked at from the front. Negative camber means that the tire leans inward at the top. A good starting camber setting is -1°. Positive camber, where the top of the tire is leaning out, is not recommended. Optional #1719 camber gauge can be used to more accurately set camber.



*Testing camber with camber gauge

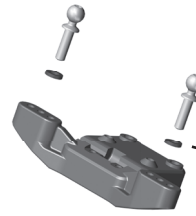
Rear Camber:


Camber describes the angle at which the tire and wheel rides when looked at from the back. Negative camber means that the tire leans inward at the top. A good starting camber setting is -1°. Adding a small amount of positive camber, where the top of the tire is leaning out, will tend to improve straight-line acceleration on loose tracks. Optional #1719 camber gauge can be used to more accurately set camber.

:: Tuning Tips

Front Camber Links:

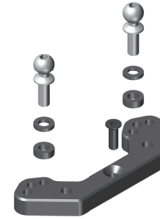
Changing the length of the camber link is considered a bigger step than adjusting the ball end height on the tower. Shortening the camber link (or lowering the ball end) will give the front end less roll and quicken steering response. Lengthening the camber link (or raising the ball end) will give the front more roll and slower steering response. Longer camber links are typically used on high grip tracks and shorter links tend to work better on medium-grip loose tracks.




 *Raise or lower the ball end by adding or removing washers here

Rear Camber Link:

Changing the length of the camber link is considered a bigger step than adjusting the ball end height on the rear chassis brace. Shortening the camber link (or lowering the ball end) will give the rear end less roll and the car will tend to accelerate or "square up" better. Lengthening the camber link (or raising the ball end) will give the rear more roll and more cornering grip. Longer camber links are typically used on high grip tracks, while shorter links tend to work better on medium grip loose tracks. The kit setting is the best compromise of cornering grip and acceleration.



 *Raise or lower the ball end by adding or removing washers here

Ackermann:

Ackermann is the angle difference between the front wheels when they are turned to steer the car. For minimal tire slip, it is standard for the inside wheel to steer to a greater angle than the outside wheel. The kit allows Ackermann adjustments by changing the washer thickness used behind the steering rack ballstuds. The kit setup uses 2mm washers and is most common for racing conditions. If corner entry steering is too aggressive, try increasing the Ackermann by removing shims from behind the steering rack ballstuds. Increasing the Ackermann will increase the angle difference of the front wheels when steered, resulting in a more stable car on corner entry.

Kickup:

Kickup is the angle the front suspension arm mounts at where the front of the arm is higher than the rear. The standard kickup angle for the B6 is 25°, and is most common. If more corner entry steering is desired, try the included 30° front bulkhead.

Axle Height:

Axle height is used to keep roll centers similar when large ride height changes are made. As a rule of thumb, high axle heights are used for lower ride heights (< 20mm) and low axle heights are used for higher (> 22mm) ride heights. The idea is to keep the arms close to level at ride height.

Ride Height:


Ride height is the distance from the ground to the bottom of the chassis. The standard front ride height setting is 19mm (Ride Height Gauge # 1449). Check the front ride height by lifting up the entire car about 8-12 inches off the bench and dropping it. After the suspension "settles" into place, measure ride height (Ride Height Gauge # 1449). Raise or lower the shock collars as necessary.

The rear ride height setting you should use most often is 19mm (Ride Height Gauge # 1449). Check the rear ride height by lifting up the entire car about 8-12 inches off the bench and drop it. After the suspension "settles" into place, measure ride height (Ride Height Gauge # 1449). Raise or lower the shock collars as necessary.

Wheelbase Adjustment:

You have three options for rear hub spacing; forward, middle, & back. The kit setting of middle is the most neutral, and will be used most often. For improved handling in bumps or rhythm sections, try moving the hubs to the back position. Hub forward is typically used on low grip or where there are lots of tight corners.



 *Spacers to the rear will place hubs forward, shortening the wheelbase

Anti-Roll Bars:

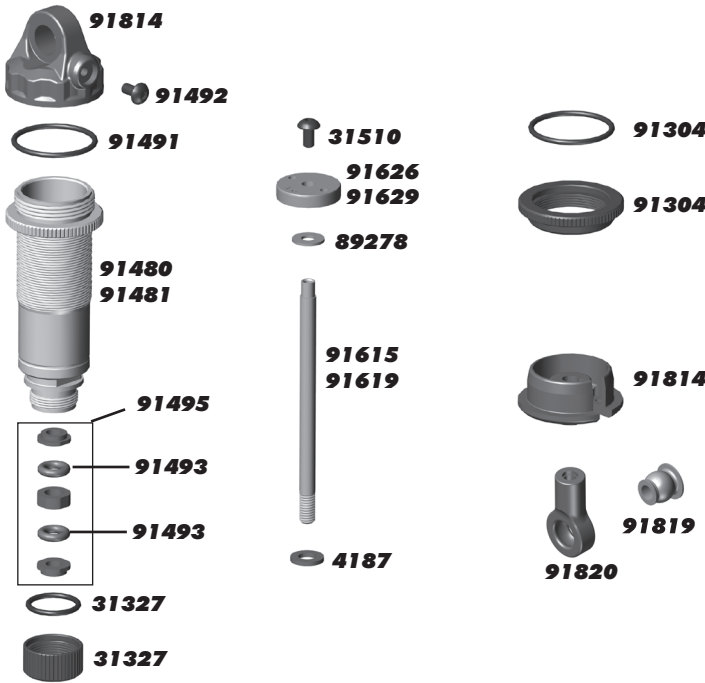
The anti-roll bar kits (also called the "swaybar") allows you to add roll resistance to the front and/or rear end with minimal effect on handling over bumps and jumps. It is an especially helpful tuning item on high-grip tracks.

Shock Mounting Position:

The rear shocks can be mounted on the front or rear of the rear suspension arm. Mounting the shocks on the front of the arm reduces rear weight bias. This causes the car to turn quicker and also steer more on-power. Usually this is used on high bite tracks in order to keep the car steering while applying throttle. Mounting the shocks on the rear of the arm increases rear weight bias and keeps the rear end planted while making the steering radius larger. This setting is typically easier to drive and will produce more rear traction.

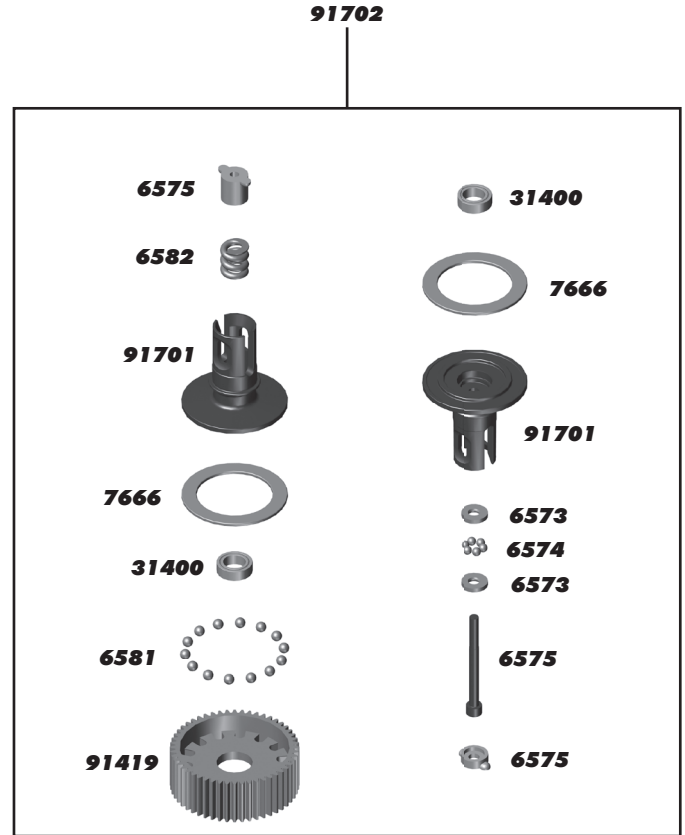
:: Shocks

4187	.030 Nylon Washer	12
31327	VCS3 Shock Bottom Cap and O-Ring	2 ea.
31510	2x4mm BHCS	6
89278	2.5mm Washer	20
91304	12MM Threaded Collar and O-Ring	2
91480	12x23MM V2 Shock Bodies	2
91481	12x27.5MM V2 Shock Bodies	2
91491	12MM V2 Shock Rebuild Kit	1
91492	M2 x 4mm BHCS with Washer	2
91493	FT Low Friction X-Rings	8
91495	12 mm V2 X-Ring Rebuild Kit	1
91615	3 x 21mm Shock Shaft (V2), TiN	2
91619	3 x 27.5mm Shock Shaft (V2), TiN	2
91626	FT 12mm Pistons (V2), 2x1.6 mm, flat	4
91629	FT 12mm Pistons (V2), 2x1.8 mm, flat	4
91814	B6.1 Shock Caps/Spring Cups	4 ea.
91819	B6.1 Shock Pivot Balls	4
91820	B6.1 Ball Ends	1



:: Ball Differential

1733	Diff Shims	8
6573	Diff Thrust Washer & Bolt	2
6574	Precision Diff Thrust Balls, 5/64"	6
6575	Locking T-Nut, Diff Thrust Bolt, & Cover	1
6581	3/32" Carbide Diff Balls	12
6582	Diff Thrust Spring	1
7666	Diff Drive Rings, 2.60:1	2
7677	Ball Diff Rebuild Kit	1
31400	Bearing, 5 x 8mm	2
91419	Diff Gear, B5	1
91701	Ball Diff Outdrive, B6	1 ea.
91702	Ball Diff Kit, B6	1



:: Shock Springs

91830	Front Shock Spring, Green 3.10lbs	Pr.
91831	Front Shock Spring, White 3.40lbs	Pr.
91832	Front Shock Spring, Gray 3.61lbs	Pr.
91833	Front Shock Spring, Blue 3.91lbs	Pr.
91834	Front Shock Spring, Yellow 4.30lbs	Pr.
91835	Front Shock Spring, Red 4.60lbs - KIT	Pr.
91836	Front Shock Spring, Orange 5.10lbs	Pr.
91837	Rear Shock Spring, Green 1.81lbs	Pr.
91838	Rear Shock Spring, Blue 1.91lbs	Pr.
91839	Rear Shock Spring, Gray 2.00lbs	Pr.
91840	Rear Shock Spring, Blue 2.20lbs - KIT	Pr.
91841	Rear Shock Spring, Yellow 2.30lbs	Pr.



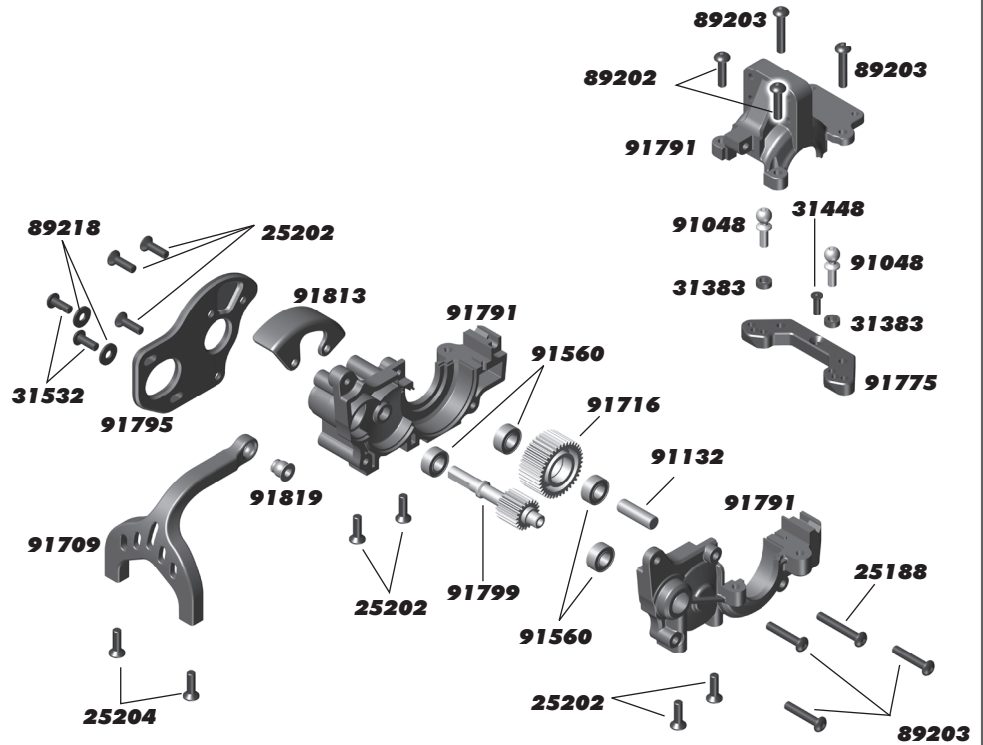
:: Shock Fluid

5420	10 Weight Silicone Shock Fluid	2oz.
5421	20 Weight Silicone Shock Fluid	2oz.
5422	30 Weight Silicone Shock Fluid	2oz.
5423	40 Weight Silicone Shock Fluid	2oz.
5424	22.5 Weight Silicone Shock Fluid	2oz.
5425	80 Weight Silicone Shock Fluid	2oz.
5426	27.5 Weight Silicone Shock Fluid	2oz.
5427	15 Weight Silicone Shock Fluid	2oz.
5428	25 Weight Silicone Shock Fluid	2oz.
5429	35 Weight Silicone Shock Fluid	2oz.
5430	45 Weight Silicone Shock Fluid	2oz.
5431	55 Weight Silicone Shock Fluid	2oz.
5432	32.5 Weight Silicone Shock Fluid	2oz.
5433	37.5 Weight Silicone Shock Fluid	2oz.
5434	42.5 Weight Silicone Shock Fluid	2oz.
5435	50 Weight Silicone Shock Fluid	2oz.
5436	60 Weight Silicone Shock Fluid	2oz.
5437	70 Weight Silicone Shock Fluid	2oz.
5438	47.5 Weight Silicone Shock Fluid	2oz.



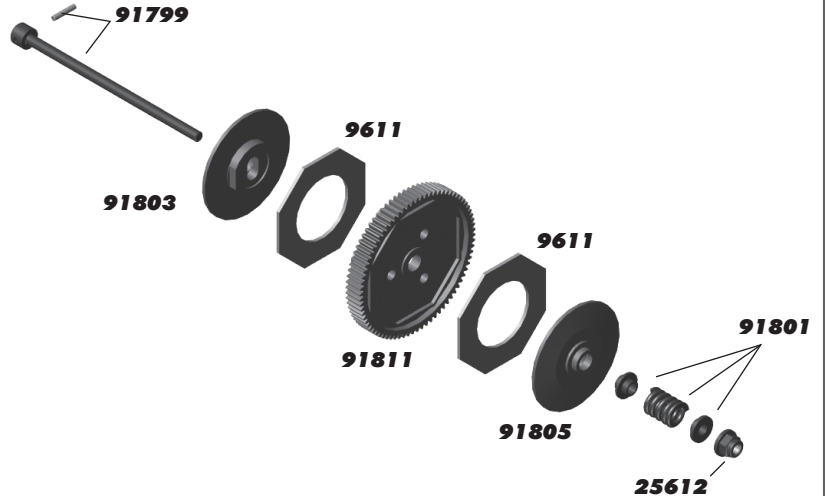
:: Transmission

25188	M3 x 20mm BHCS	10
25202	M3 x 10mm FHCS	10
25204	M3 x 16mm FHCS	10
31383	Ballstud Washers, 5.5x2.0 mm, blue aluminum	10
31448	M2.5 x 8mm FHCS	10
31532	M3 x 8mm BHCS	10
89202	M3 x 12mm BHCS	10
89203	M3 x 16mm BHCS	10
89218	M3 x 8mm Washers	10
91048	Heavy-duty Ballstuds, 8 mm	10
91132	4x4 FT Idler Shafts, aluminum	2
91560	FT Bearings, 5x10x4 mm	4
91709	B6 Chassis Braces	1 ea.
91716	B6 Idler Gear, 39T, laydown	2
91775	B6.1 Rear Ballstud Mount	1
91791	B6.1 Laydown Gearbox	1
91795	B6.1 Laydown Motor Plate	1
91799	B6.1 Laydown Top Shaft	1
91813	B6.1 Gear Cover	1
91819	B6.1 Shock Pivot Balls	4



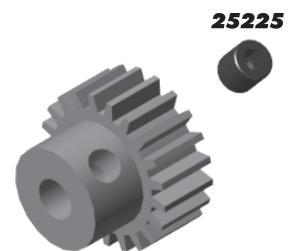
:: Slipper Clutch

9611	Slipper Pad, V2	2
25612	M3 Locknuts, Flanged	10
91799	B6.1 Laydown Top Shaft	1
91801	B6.1 Slipper Spring and Adaptors	1
91803	B6.1 Slipper Hub, Inner	1
91804	B6.1 Slipper Hub, Outer	1
91805	B6.1 HTC Slipper Hub Outer	1
91808	B6.1 Spur Gear, 69T - 48P	1
91809	B6.1 Spur Gear, 72T - 48P	1
91810	B6.1 Spur Gear, 75T - 48P	1
91811	B6.1 Spur Gear, 78T - 48P - KIT	1
91812	B6.1 Spur Gear, 81T - 48P	1



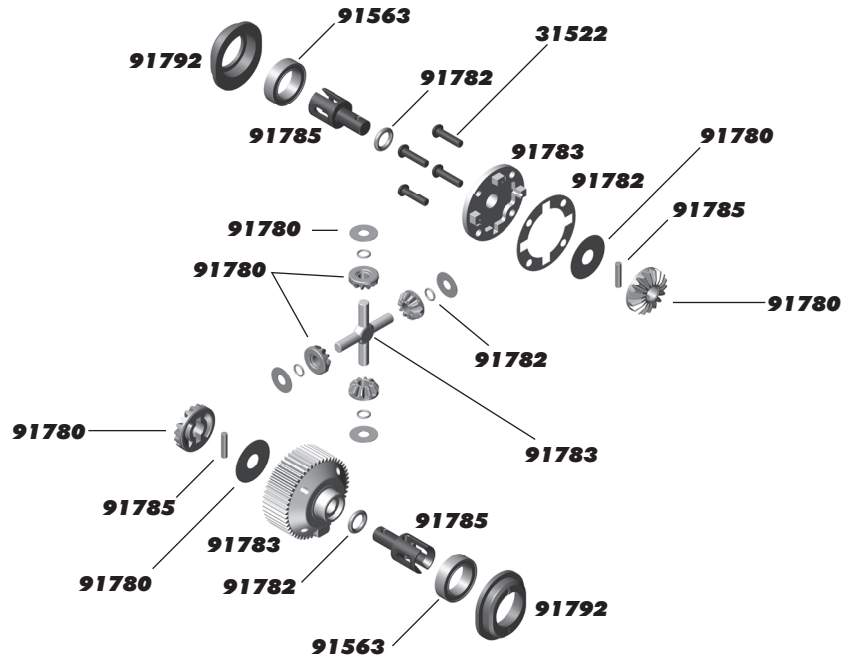
:: Pinion Gears

1335	17T 48P Aluminum Pinion Gear	1	1349	31T 48P Aluminum Pinion Gear	1
1336	18T 48P Aluminum Pinion Gear	1	1350	32T 48P Aluminum Pinion Gear	1
1337	19T 48P Aluminum Pinion Gear	1	1351	33T 48P Aluminum Pinion Gear	1
1338	20T 48P Aluminum Pinion Gear	1	1352	34T 48P Aluminum Pinion Gear	1
1339	21T 48P Aluminum Pinion Gear	1	1353	35T 48P Aluminum Pinion Gear	1
1340	22T 48P Aluminum Pinion Gear	1	25225	M3 x 3mm Set Screw	20
1341	23T 48P Aluminum Pinion Gear	1			
1342	24T 48P Aluminum Pinion Gear	1			
1343	25T 48P Aluminum Pinion Gear	1			
1344	26T 48P Aluminum Pinion Gear	1			
1345	27T 48P Aluminum Pinion Gear	1			
1346	28T 48P Aluminum Pinion Gear	1			
1347	29T 48P Aluminum Pinion Gear	1			
1348	30T 48P Aluminum Pinion Gear	1			



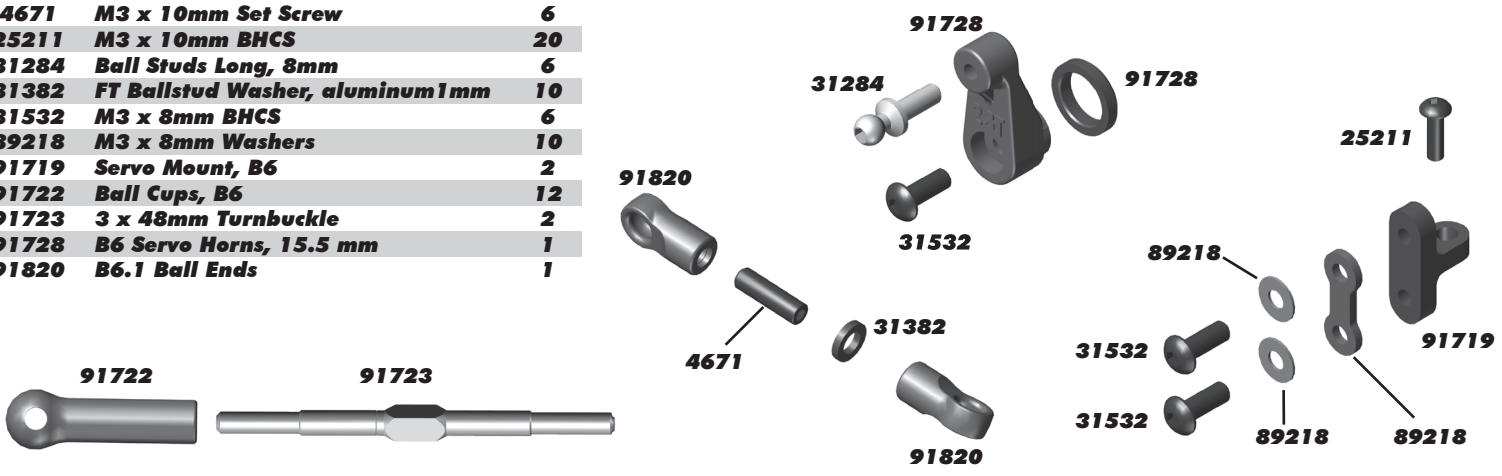
:: Gear Differential

31522	M2.5 x 10mm BHCS	10
91563	FT Bearings, 10x15x4 mm	4
91780	B6.1 Gear Differential Rebuild	1
91782	B6.1 Gear Differential Seals	1
91783	B6.1 Gear Differential Case	1
91784	B6.1 Aluminum Cross Pins	2
91785	B6.1 Gear Differential Outdrives	2
91786	B6.1 Gear Differential	1
91792	B6.1 Differential Height Inserts	2 ea.
5450	Silicone Diff Fluid 1,000CST	1
5451	Silicone Diff Fluid 2,000CST	1
5452	Silicone Diff Fluid 3,000CST	1
5444	Silicone Diff Fluid 4,000CST	1
5453	Silicone Diff Fluid 5,000CST	1
5446	Silicone Diff Fluid 6,000CST	1
5454	Silicone Diff Fluid 7,000CST	1
5455	Silicone Diff Fluid 10,000CST	1
5466	Silicone Diff Fluid 15,000CST	1
5456	Silicone Diff Fluid 20,000CST	1
5457	Silicone Diff Fluid 30,000CST	1
5458	Silicone Diff Fluid 60,000CST	1
5448	Silicone Diff Fluid 80,000CST	1
5459	Silicone Diff Fluid 100,000CST	1
5461	Silicone Diff Fluid 200,000CST	1
5463	Silicone Diff Fluid 500,000CST	1
5465	Silicone Diff Fluid 1,000,000CST	1



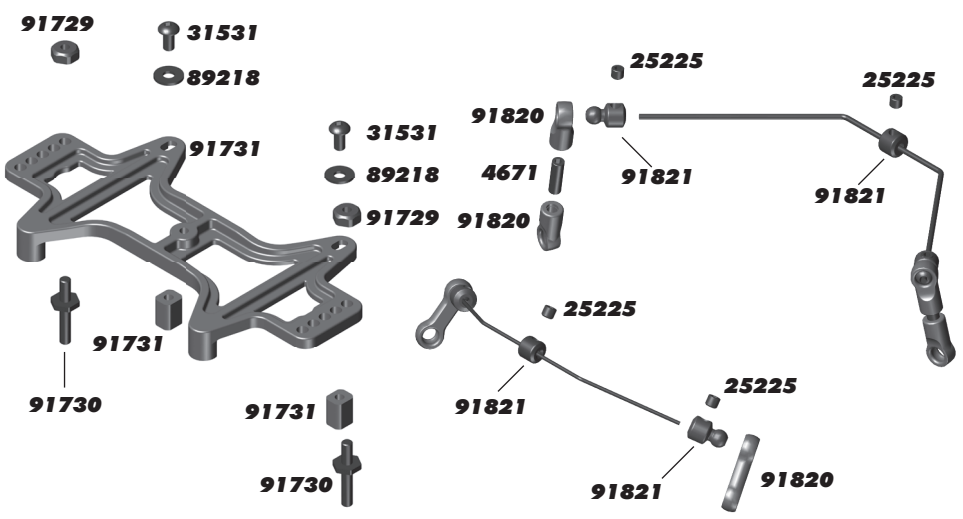
:: Turnbuckles and Servo Mounts

4671	M3 x 10mm Set Screw	6
25211	M3 x 10mm BHCS	20
31284	Ball Studs Long, 8mm	6
31382	FT Ballstud Washer, aluminum 1mm	10
31532	M3 x 8mm BHCS	6
89218	M3 x 8mm Washers	10
91719	Servo Mount, B6	2
91722	Ball Cups, B6	12
91723	3 x 48mm Turnbuckle	2
91728	B6 Servo Horns, 15.5 mm	1
91820	B6.1 Ball Ends	1



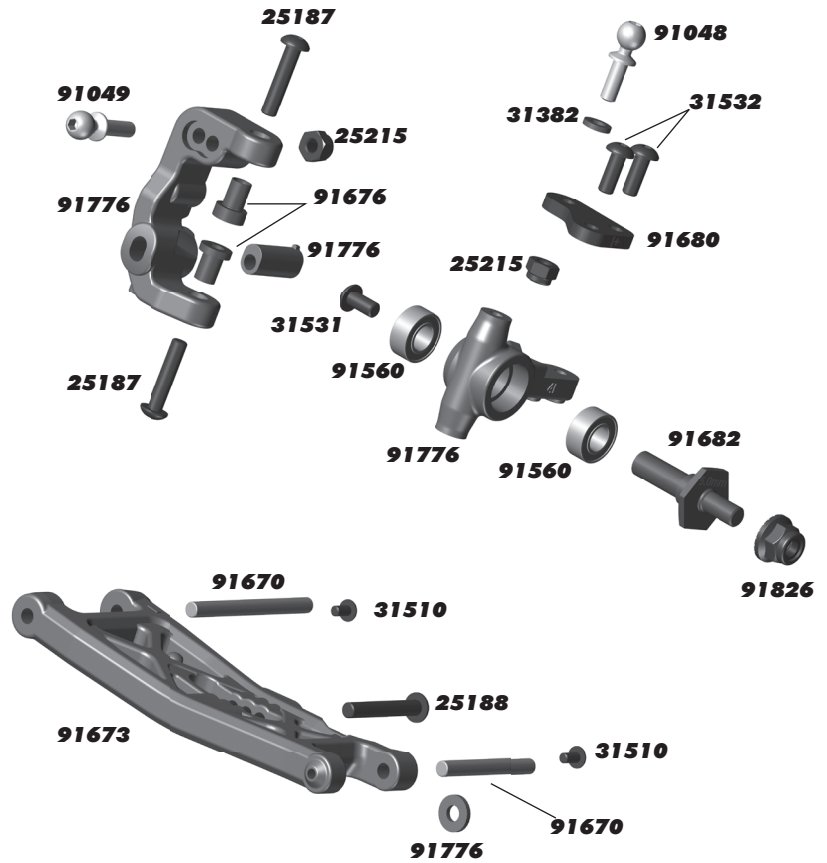
:: Anti-Roll Bars / Battery Strap

25225	M3x3mm Set Screw	10
31531	M3 x 6mm BHCS	20
89218	3 x 8mm Washers	10
91729	Thumb Screw, B6	2
91730	Battery Strap Shoulder Screw	2
91731	Battery Strap, B6	1
91820	B6.1 Ball Ends	1
91821	B6.1 Anti-Roll Bar Hardware	1
91822	B6.1 FT Front Anti-Roll Bar Set	1
91823	B6.1 FT Rear Anti-Roll Bar Set	1



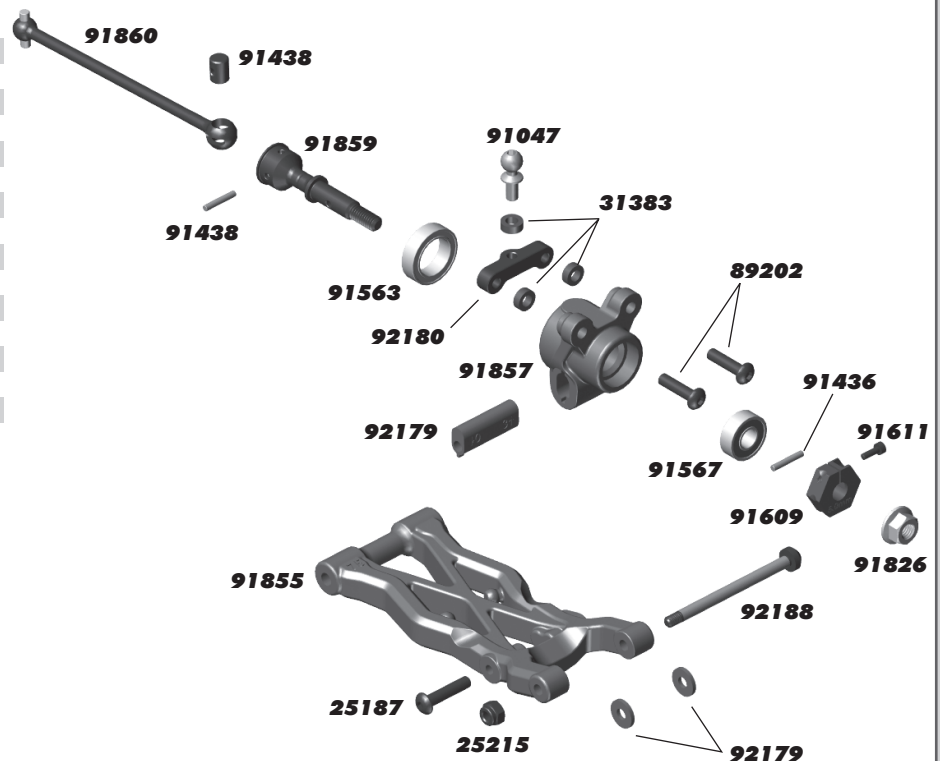
:: Front Arm

25187	M3 x 14mm BHCS	10
25188	M3 x 20mm BHCS	10
25215	M3 Locknut, Black	10
31382	FT Ballstud Washer, aluminum 1mm	10
31510	M2 x 4mm BHCS	6
31531	M3 x 6mm, BHCS	6
31532	M3 x 8mm, BHCS	6
91048	Heavy-duty Ballstud, 8mm	8
91049	Heavy-duty Ballstud, 10mm	8
91560	FT Bearing, 5 x 10 x 4	4
91670	Hinge Pin Set, B6	1
91673	Front Arm, Gull-Wing, B6	2
91676	B6 Caster Hat Bushings	2 ea.
91680	B6 Steering Block Arms (+1)	2
91682	Front Axle, B6	2
91776	B6.1 Caster/Steering Blocks	1
91826	M4 Serrated Wheel Nut, Steel (Silver)	10



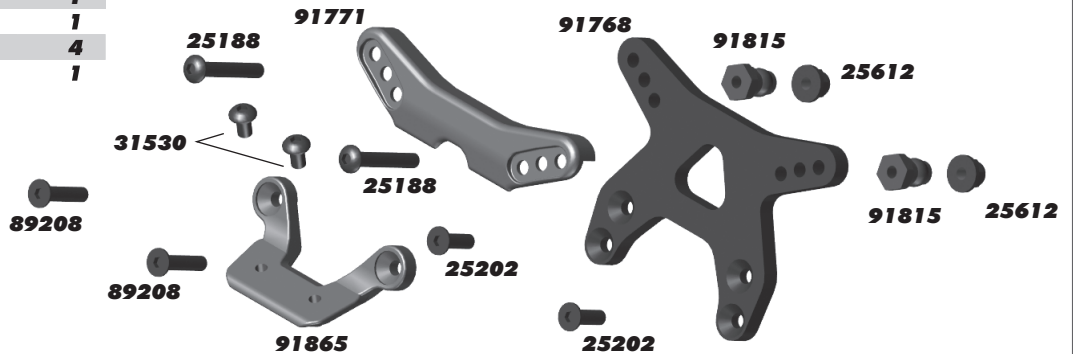
:: Rear Arm

25187	M3 x 14mm BHCS	10
25215	M3 Locknut, Black	10
31383	Ballstud Washers, 5.5x3.0x2.0mm, Blue Aluminum	10
89202	M3x12mm BHCS	10
91047	Heavy-duty Ballstud, 6mm	10
91436	CVA/Wheel Hex Pin, B5	4
91438	CVA Rebuild Kit, B5	1
91563	FT Bearing, 10 x 15 x 4	4
91567	FT Bearing, 5 x 12 x 4	4
91609	FT Clamping Wheel Hexes, 5.0mm	2
91611	M1.6 x 8mm SHCS	4
91826	M4 Serrated Wheel Nut, Steel (Silver)	10
91855	B6.2 Rear Arms, 75mm	Pr.
91857	B6.2 Rear Hubs	2
91859	B6.2 CVA Axle, +2mm	2
91860	B6.2 CVA Bone, 69mm	2
92179	B6.2 Rear Hub Inserts and Spacers	1
92180	B74 Rear Hub Link Mount	2
92188	B74 Rear Hub Hinge Pin	2



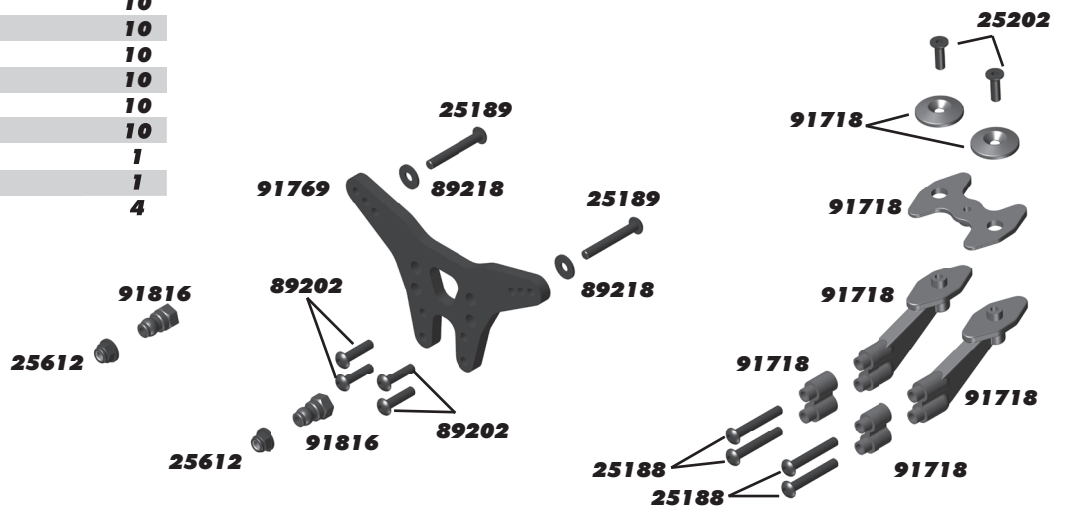
:: Front Shock Tower

25188	M3 x 20mm BHCS	10
25202	M3 x 10mm FHCS	10
25612	M3 Locknuts w/Flange	10
31530	M3x5mm BHCS	10
89208	M3x14mm FHCS	10
91768	B6.1 Front Shock Tower	1
91771	B6.1 Shock Tower Covers	1
91815	Shock Bushing, 10mm	4
91865	B6.2 Wing Mount, Front	1



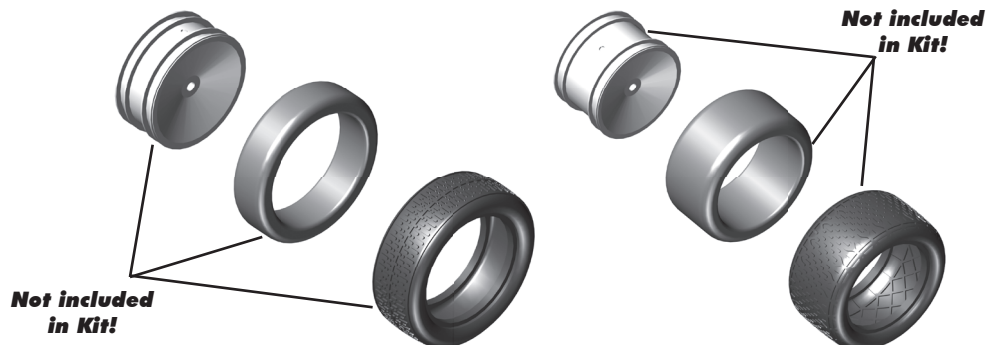
:: Rear Shock Tower

25188	M3 x 20mm BHCS	10
25189	M3 x 22mm BHCS	10
25202	M3 x 10mm FHCS	10
25612	M3 Locknuts w/Flange	10
89202	M3 x 12mm BHCS	10
89218	M3 x 8mm Washers	10
91718	Wing / Body Mount Set, B6	1
91769	B6.1 Rear Shock Tower	1
91816	Shock Bushing, 12mm	4



:: Wheels

9690	Buggy Front Wheel, hex, white	2
9691	Buggy Front Wheel, hex, yellow	2
9695	Buggy Rear Wheel Hex, white	2
9696	Buggy Rear Wheel Hex, yellow	2



:: Factory Team and Option Parts

1369	FT Alum. Clamping Servo Horn 23T, 15.5 mm	1
1370	FT Alum. Clamping Servo Horn 25T, 15.5 mm	1
27128	Servo Washers, Black Aluminum	4
71034	FT Clamping Wheel Hexes, 6.0 mm	2
91494	FT 12mm Machined Shock Spacers, V2	1
91495	12mm V2 X-Ring Rebuild Kit	1
91553	Factory Team Bearing Kit, B5, B6	1
91580	Titanium Screws, 3x6mm BHCS	4
91581	Titanium Screws, 3x8mm BHCS	4
91582	Titanium Screws, 3x10mm BHCS	4
91583	Titanium Screws, 3x12mm BHCS	4
91584	Titanium Screws, 3x14mm BHCS	4
91585	Titanium Screws, 3x16mm BHCS	4
91587	Titanium Screws, 3x20mm BHCS	4
91588	Titanium Screws, 3x22mm BHCS	4
91589	Titanium Screws, 3x24mm BHCS	4
91591	Titanium Screws, 3x6mm FHCS	4
91592	Titanium Screws, 3x8mm FHCS	4
91593	Titanium Screws, 3x10mm FHCS	4
91594	Titanium Screws, 3x12mm FHCS	4
91595	Titanium Screws, 3x14mm FHCS	4
91596	Titanium Screws, 3x16mm FHCS	4
91597	Titanium Screws, 3x18mm FHCS	4
91609	Clamping Wheel Hex, (5.0mm)	2
91625	FT 12 mm Pistons V2, 2x1.5 mm, flat	4
91626	FT 12 mm Pistons V2, 2x1.6 mm, flat	4
91627	FT 12 mm Pistons V2, 2x1.7 mm, flat	4
91628	FT 12 mm Pistons V2, 3x1.4 mm, flat	4
91653	B6 Side Rails, hard	Pr.
91658	RC10B6 Aluminum Front Bulkhead	1
91659	RC10B6 Brass Front Bulkhead	1
91668	RC10B6 Aluminum Steering Bell Crank	1
91669	RC10B6 Aluminum Steering Rack	1
91672	RC10B6 Flat Front Arm, Hard	Pr.
91673	RC10B6 Gull Front Arm - Req. #91663	Pr.
91674	RC10B6 Gull Front Arm, Hard - Req. #91663	Pr.
91680	B6 FT Steering Block Arms, +1	Pr.
91683	RC10B6 Titanium Front Axle	2
91696	RC10B6 Rear Arm, Hard	Pr.
91699	FT Aluminum Rear hub Link	2
91707	RC10B6 Stand-Up Gear Box, 4 Gear - Req. #91711, #91714	1
91711	RC10B6 Gear Cover, 4 Gear - Req. #91707, #91714	1
91714	RC10B6 Stand-Up Motor Plate, 4 Gear Req. #91707, #91711	1
91744	FT Brass Under Battery Weights	1
91745	RC10B6 Aluminum Chassis Weight (9g)	1
91746	RC10B6 Aluminum Chassis Weight (13g)	1
91747	RC10B6 Steel Chassis Weight (24g)	1
91748	RC10B6 Steel Chassis Weight (36g)	1
91749	M2 x 3mm FHCS - Use with Chassis Weights	6
91750	HD Titanium Ball Stud, 4mm	2
91751	HD Titanium Ball Stud, 6mm	2
91752	HD Titanium Ball Stud, 8mm	2
91753	HD Titanium Ball Stud, 10mm	2
91754	FT Graphite ESC Plate	1
91760	B6 FT Blue Aluminum Rear Hubs	Pr.
91761	FT Graphite Servo Plate	1
91768	RC10B6.1 Front Shock Tower, (Gull-Wing) - Graphite Req. #91673 or #91674	1
91773	B6.1 Brass Arm Mount (C), Req. #92014	1
91781	B6.1 Gear Diff Cover, aluminum	1
91784	B6.1 Aluminum Cross Pins	2
91786	B6.1 Gear Diff Kit	1
91788	B6.1 Standup Gearbox Req. #91794	1
91790	B6.1 Layback Gearbox	1
91793	B6.1 Alum. Differential Height Inserts, black	2 Pr.
91796	FT Laydown/Layback Motor Plate, graphite	1
91797	Titanium Top Shaft Screw	1
91798	B6.1 Standup Top Shaft	1
91799	B6.1 Laydown Top Shaft	1
91800	B6.1 Direct Drive Kit	1
91801	B6.1 Slipper Spring	1

:: Factory Team and Option Parts Cont...

91802	B6.1 Vented Slipper Hub, (inner)	1
91806	B6.1 Vented Slipper Hub, outer	1
91807	B6.1 HTC Vented Slipper Hub, outer & center disk	1
91821	B6.1 Anti-Roll Bar Hardware Set	1
91822	B6.1 Front Anti-Roll Bar Set (Soft) 0.8, 0.9, 1.0	1
91823	B6.1 Rear Anti-Roll Bar Set (Med) 1.2, 1.3, 1.4	1
91825	B6.1/B6.1D FT Chassis Protective Sheet	1
91854	RC10B6.2 Rear Suspension Arms, 73mm, Hard	2
91856	RC10B6.2 Rear Suspension Arms, 75mm, Hard	2
91858	B6.2 CVA Axles	2
91862	B6.2 Clamping Wheel Hexes, 4.0mm	1
91868	B6.2 FT Bearing Set	2
92100	FT Aluminum Wing Buttons	2
92185	B74 FT Graphite Rear Hub Link Shim Set	1

:: Bodies

91741	RC10B6 Wing	1
91743	Adhesive Hook and Loop	1
91863	RC10B6.2 Clear Body	1
91864	RC10B6.2 Lightweight Clear Body	1
91866	RC10B6.2 Front Wing Clear	2
91869	RC10B6.2 Decal Sheet	1

:: Lubes & Adhesives / Decals / Misc.

1105	FT Green Slime Shock Lube	1
1596	FT Locking Adhesive	1
1597	FT Tire Adhesive, medium	1
6588	Black Grease - 4cc	1
6591	S.Diff Lube - 4cc	1
6636	Silicone Grease - 4cc	1
6727	Servo Tape	2
726	Reedy 2016 Sticker Set	1
3840	2016 Team Associated Decal Sheet	1
9787	FT Chassis Protective Sheet	1



:: MyLaps Transponders

MLP10R120	MyLaps RC4 (3-wire) Transponder	1
MLP10R147	MyLaps RC4 (3-wire) Pro Transponder, Black	1
MLP40R222	MyLaps Transponder Holder	1

:: Reedy Batteries

302	AA Alkaline 1.5V (4)	1
27313	LiPo Pro TX/RX 2400mAh 7.4V Flat	1
27315	LiFe Pro TX/RX 1600mAh 6.6V Flat	1
27318	Wolfpack HV LiPo 50C 4200mAh 7.6V Shorty	1
27319	Wolfpack HV LiPo 50C 3300mAh 7.6V LP Shorty	1
27335	Zappers SG2 4800mAh 7.6V 110C Shorty 37Wh 205g	1
27336	Zappers SG2 5800mAh 7.6V 80C Shorty 45Wh 220g	1
27337	Zap. SG2 3600mAh 7.6V 110C LCG Shrt 28Wh 155g	1
27338	Zap. SG2 4100mAh 7.6V 80C LCG Shrt 32Wh 152g	1

:: Reedy Competition Motors & Spare Parts

262	Sonic 540-M3 6.5	1
263	Sonic 540-M3 6.0	1
264	Sonic 540-M3 5.5	1
265	Sonic 540-M3 5.0	1
266	Sonic 540-M3 4.5	1
272	540-M3/S-Plus Spec Rotor 12.2 x 7.25 x 25.3	1
273	540-M3/S-Plus Spec Rotor 12.5 x 7.25 x 25.3	1
274	Sonic 540-M3 Mod Rotor 12.3 x 5.0 x 25.3	1
275	Sonic 540-M3 Mod Rotor 12.5 x 5.0 x 25.3	1
276	Sonic 540-M3 Mod Rotor 13.0 x 5.0 x 25.3	1
277	Sonic 540-M3 Stainless Steel Bearing Set	1
280	Sonic 540-M3 Sensor Assembly	1
286	540-M3/S-Plus Spec Rotor 12.3 x 7.25 x 25.3	1
293	Sonic 540 FT 17.5 Fixed Timing	1
294	Sonic 540 FT 13.5 Fixed Timing	1
295	Sonic 540-FT Spec Rotor 12.0 x 7.25 x 25.3	1
296	Sonic 540-M3 Mod Rotor 12.0 x 5.0 x 24.2	1
27402	S-Plus 17.5 Spec	1
27403	S-Plus 13.5 Spec	1
27404	S-Plus 10.5 Spec - Torque	1
27414	540-M3/S-Plus Spec Rotor 12.5 x 7.15 x 24.2	1
27418	540-M3/S-Plus Lightweight Sensor Board	1
27419	S-Plus Front Plate	1
27420	540-M3/S-Plus Aluminum Case Screw Set	1
27421	540-M3/S-Plus Aluminum Timing Screw Set	1
27429	S-Plus 17.5 Spec - Torque	1

:: Reedy Competition Motors Accessories

978	Flat Sensor Wire 70mm	1
979	Flat Sensor Wire 110mm	1
980	Flat Sensor Wire 150mm	1
981	Flat Sensor Wire 200mm	1
982	Flat Sensor Wire 270mm	1
994	Flat Sensor Wire 125mm	1
995	Flat Sensor Wire 175mm	1
27423	30mm Motor Fan w/195mm extension	1

:: Reedy ESC's

27002	Blackbox 800Z 2S Zero-Timing Competition ESC	1
27004	Blackbox 510R Competition ESC	1
27005	Blackbox 510R Competition ESC w/PROgrammer2	1
27006	Blackbox 600Z 2S Zero-Timing Competition ESC	1
27024	Blackbox Pro Capacitor Unit	1
27027	Blackbox PROgrammer2	1
27028	Blackbox 30x30x7mm Fan w/screws	1
27029	Blackbox Pro Modified Capacitor Unit	1
27030	Blackbox ESC/Programmer2 Connection Wire	1
27031	Blackbox 510R 30x30x10mm Fan w/screws	1
27033	Blackbox 1000Z+ Pro Competition ESC	1

:: Reedy Chargers / Charger Accessories

996	5.0mm 1S-2S Balance Charge lead w/SP Clip (4mm)	1
997	4.0mm 1S-2S Balance Charge lead w/SP Clip (4mm)	1
27200	1216-C2 Dual AC/DC Competition Batt. Charger	1
27220	7-in-1 Universal Charge Lead (4mm)	1
27221	Reedy T-Plug Charge Lead, (4mm)	1
27222	XH 2-6S Balance Board (4mm)	1
27223	RX Charger Lead FUT (4mm)	1
27224	US to IEC 320 C5 angle 1M AC Power Cord	1
27226	EU to IEC 320 C5 angle 1M AC Power Cord	1
27228	AU to IEC 320 C5 angle 1M AC Power Cord	1
27232	Reedy 4mm/5mm Pro Charge Lead	1

:: Reedy Servos & Accessories

27100	RS1206 Digital HV Hi-Speed Competition Servo	1
27101	RT1508 Digital HV Hi-Torque Competition Servo	1
27102	RS1206 Servo Case Set w/screws	1
27103	RS1206 Servo Gear Set	1
27105	RT1508 Servo Gear Set	1
27112	RS1306 Digital HV Low-Profile Brushless Comp. Servo	1
27113	RT1709 Digital HV Low-Profile Brushless Comp. Servo	1
27114	RT2406 Digital HV Brushless Comp. Servo	1
27115	RT2706A Digital HV Alum. Brushless Comp. Servo	1
27122	Reedy Aluminum Servo Horn (25)	1
27123	Reedy Aluminum Clamping Servo Horn (25)	1
27133	RS1306 Gear Set	1
27134	RT1709 Gear Set	1
27135	RT2406 Gear Set	1
27136	RT2706A Gear Set	1
27137	RS1306 Case Set	1
27138	RT1709 Case Set	1
27139	RT2406 Case Set	1

:: Reedy Accessories

643	Low Profile Bullet Plug 4mm x 14mm (2)	1
644	Low Profile Bullet Plug 4mm x 14mm (10)	1
645	Low Profile Bullet Plug 5mm x 14mm (2)	1
646	Low Profile Bullet Plug 5mm x 14mm (10)	1
647	Silicone Wire 12AWG-Black (1m)	1
648	Silicone Wire 14AWG-Black (1m)	1
650	Shrink Tubing - 15pcs 4.5mm x 20mm	1
747	Silicone Wire 12AWG-Black (30m)	1
790	Silicone Wire 13AWG-Black (1m)	1
791	Silicone Wire 13AWG-Black (30m)	1
792	Low Profile Caged Bullet Plug 4mm x 14mm (2)	1
793	Low Profile Caged Bullet Plug 4mm x 14mm (10)	1
794	Low Profile Caged Bullet Plug 5mm x 14mm (2)	1
795	Low Profile Caged Bullet Plug 5mm x 14mm (10)	1
27304	LiPo Battery Weight Set - Shorty	1

:: Apparel / Promotional**TEE SHIRTS**

SP124*	AE 2017 Worlds Tee, Black (S, M, L, XL-5XL)	1
SP126*	Team Associated Tri T-Shirt, Black (S, M, L, XL-5XL)	1
SP200*	Element RC Logo Tee, Gray (S, M, L, XL-5XL)	1
SP201*	Element RC Rhombus Tee, Black (S, M, L, XL-5XL)	1

HOODIES/JACKETS

SP142*	Reedy W19 Hoodie - Black (S, M, L, XL-3XL)	1
SP230	Element RC Zip Up, Black (S, M, L, XL-5XL)	1
SP231	Element RC Hoodie, Black (S, M, L, XL-5XL)	1
SP250	Element RC Jacket, Black (S, M, L, XL-2XL)	1

HATS

SP20	AE Patch Trucker Hat	1
SP430	Reedy Trucker Hat 2018	1
SP260	Element RC Hat, Curved Bill, Black	1
SP261	Element RC Hat, Flat Bill, Black	1
SP262	Element RC Beanie, Black	1

BANNERS/MATS CARRIERS

SP115	Reedy Circuit Cloth Banner	1
SP280	Element RC Counter Top Mat	1
SP281	Element RC Pit Mat	1
SP282	Element RC Pit Towel	1
SP283	Element RC Vinyl Banner, 48x24	1
SP284	Element RC Vinyl Banner, 20x12	1
SP285	Element RC Pin Pattern Counter Top Mat	1
SP425	FT Fluid Carrier	1

**** Use part number plus the desired size when ordering!**

:: Tools

1111	FT Turnbuckle Wrench	1
1112	FT 4mm Turnbuckle Wrench	1
1113	12mm Big Bore Shock Tool	1
1114	FT Dual Turnbuckle Wrench	1
1449	Off Road Ride Height Gauge	1
1452	FT TC Ride Height Gauge	1
1498	FT Universal Tire Balancer	1
1499	FT Body Reamer	1
1500	FT 1.5mm Hex Driver	1
1501	FT 2.0mm Hex Driver	1
1502	FT 2.0mm Ball Hex Driver	1
1503	FT 2.5mm Hex Driver	1
1504	FT 2.5mm Ball Hex Driver	1
1505	FT 3.0mm Hex Driver	1
1506	FT 5.0mm Hex Driver	1
1507	FT 5.5mm Nut Driver	1
1508	FT 7.0mm Nut Driver	1
1510	FT 1.5mm Hex Replacement Tip	1
1511	FT 2.0mm Hex Replacement Tip	1
1512	FT 2.0mm Ball Replacement Tip	1
1513	FT 2.5mm Hex Replacement Tip	1
1514	FT 2.5mm Ball Replacement Tip	1
1515	FT 3.0mm Hex Replacement Tip	1
1518	FT Hex Driver Tool Set (3pcs)	1
1519	FT Hex/Nut Driver Tool Set (5pc)	1
1522	FT Digital Scale, 100/0.01g	1
1555	FT Clutch Gauge, 4 Shoe	1
1568	FT 5.5mm Short Nut Driver	1
1569	FT 7mm Nut Driver, T-Handle	1
1570	FT 5.5mm Short Nut Driver	1
1571	FT 1:8 Wheel Nut Wrench, 17mm Hex	1
1579	FT Ball Cup Wrench	1
1595	Chassis Weights, 1/4 oz	1
1650	7 Piece Hex Driver Set	1
1657	FT 1/4" Hex Drive .050" Tip	1
1658	FT 1/4" Hex Drive 1/16" Tip	1
1659	FT 1/4" Hex Drive 5/64" - 2.0mm Tip	1
1660	FT 1/4" Hex Drive 3/32" Tip	1
1661	FT 1/4" Hex Drive 1.5mm Tip	1
1662	FT 1/4" Hex Drive 2.5mm Tip	1
1666	FT 1/4" Hex Drive 5.5mm Nut Driver Tip	1
1667	FT 1/4" Hex Drive 7.0mm Nut Driver Tip	1
1668	FT 1/4" Hex Drive 8.0mm Nut Driver Tip	1
1674	FT 1/4" 5 Piece Power Tool Tips Set (5/64-2.0mm, 1.5mm, 2.5mm, 5/64"- 2.0mm ball, 2.5mm ball)	1
1675	FT Shock Shaft Pliers	1
1679	FT T-Handle Ratchet Driver	1
1719	FT Camber + Track Width Tool	1
1737	FT Body Scissors	1
3718	12 Inch Nylon Wire Ties	12
3987	FT Droop Gauge	1
89240	RC8 FT Turnbuckle Wrench	1

:: Contact Information

Check out the following web sites for all of our electric kits, current products, new releases, setup help, tips, and racing info!

Associated Electrics, Inc.

21062 Bake Parkway

Lake Forest, CA 92630-8853 USA

<http://www.TeamAssociated.com>

<http://www.RC10.com>

http://twitter/Team_Associated

<http://www.instagram.com/teamassociatedrc>

<http://www.facebook.com/TeamAssociated/>

call: (949) 544-7500

fax: (949) 544-7501

Front Suspension:

Ride Height:	16mm
Camber:	-1°
Toe:	+1°
Anti-Roll Bar:	#91822 Blue, 1.0mm
Arm Type:	#91673 Gull-Wing, Standard
Tower Type:	#91768 Gull-Wing
Caster Block Insert:	5°
Steering Block:	4mm
Bulkhead Type:	#91656 Plastic
Kick-Up Angle:	25°
Wheel Hex:	#91682 Aluminum, 5mm
Notes:	

Bump Steer Spacing: 0mm

Ball Stud Spacing: 0mm

Steering Plate: #91680 +1

Steering Stop Spacing: 0mm

Axle Height:

+3	<input type="checkbox"/>
+2	<input type="checkbox"/>
+1	<input type="checkbox"/>
0	<input type="checkbox"/>

Ball Stud Spacing: 1mm

Caster Block Spacing: 1mm

Rear Suspension:

Ride Height:	16mm
Camber:	-2°
Tower Type:	#91769 Standard
Wheel Hex:	#91609 Aluminum, 5.0mm
CVA Bone Length:	69mm
CVA Pin Location:	Towards Hex
Anti-Roll Bar:	#91823 Gray, 1.3mm
Arm & Position:	73 <input type="checkbox"/> 75 <input checked="" type="checkbox"/> Forward <input checked="" type="checkbox"/> Back <input type="checkbox"/>
Hub Spacing:	Forward <input type="checkbox"/> Middle <input type="checkbox"/> Back <input checked="" type="checkbox"/>
Shock Mounting Position:	Front of Arm <input checked="" type="checkbox"/> Rear of Arm <input type="checkbox"/>
Notes:	

C Mount Inserts: 1° 0.5°
Aluminum Brass

D Mount Inserts: 1° 0.5°
Aluminum Brass

Rear Axle Height

3	0	3	+3mm
2	1	2	+2mm
1	2	1	+1mm
0	3	0	+0mm

Camber Link Spacing: 2mm

Ball Stud Spacing: 2mm

Ball Stud Spacing: 4mm

Electronics:

Radio:	Servo:
EPA: Throttle: % Brake: %	
ESC:	
ESC Settings:	
Motor:	
Wind:	Timing:
Pinion:	Spur:
Battery:	
Battery Position:	3F
Battery Weight:	

Drivetrain:

Transmission:	Laydown: <input checked="" type="checkbox"/>
3 Gear: <input checked="" type="checkbox"/>	Layback: <input type="checkbox"/>
4 Gear: <input type="checkbox"/>	Stand Up: <input type="checkbox"/>
Differential:	Ball Diff: <input type="checkbox"/>
Height: 3	Gear Diff: <input checked="" type="checkbox"/>
Gear Diff Mass:	
Notes:	
Slipper Clutch:	
Type:	Kit
# of Pads:	2

Shocks:

	Front	Rear
Piston:	2 x 1.6	2 x 1.8
Fluid:	40	30
Spring:	#91835 Red	#91840 Blue
Int. Limiters:	0	0
Ext. Limiters:	0	1
Stroke:	24.0	28.0
Eyelet Length:	Short	Long
Cup Offset:	5mm	0mm
Notes:		



Track Info:

Size:	Small <input type="checkbox"/> Medium <input type="checkbox"/> Large <input type="checkbox"/> Extra Large <input type="checkbox"/>
Surface:	Dirt <input type="checkbox"/> Carpet <input type="checkbox"/> AstroTurf <input type="checkbox"/> Multi Surface <input type="checkbox"/>
Traction:	Low <input type="checkbox"/> Medium <input type="checkbox"/> High <input type="checkbox"/> Very High <input type="checkbox"/>
Moisture:	Dry <input type="checkbox"/> Damp <input type="checkbox"/> Wet <input type="checkbox"/>
Condition:	Indoor <input type="checkbox"/> Outdoor <input type="checkbox"/> Dusty <input type="checkbox"/> Hard Packed <input type="checkbox"/> Bumpy <input type="checkbox"/> Grooved <input type="checkbox"/> Smooth <input type="checkbox"/> Loamy <input type="checkbox"/>
Temperature:	Ambient: _____ Track: _____
Notes:	
Vehicle Comments:	

Tires:

Front Tires:	
Front Compound:	
Front Insert:	
Rear Tires:	
Rear Compound:	
Rear Insert:	
Wheel (F/R):	
Notes:	

Chassis, Body, Wing:

Body:	Kit
Front Wing:	Kit
Rear Wing:	Kit
Wing Angle:	0° <input type="checkbox"/> 3° <input type="checkbox"/> 6° <input checked="" type="checkbox"/>
Chassis Length:	
Servo Weights:	#91747, Steel 24g
Electronic Weights:	#91748, Steel 36g
Total Vehicle Weight:	

Front Suspension:

Ride Height: _____
Camber: _____
Toe: _____
Anti-Roll Bar: _____
Arm Type: _____
Tower Type: _____
Caster Block Insert: _____
Steering Block: _____
Bulkhead Type: _____
Kick-Up Angle: _____
Wheel Hex: _____
Notes: _____

Bump Steer Spacing: _____
Steering Plate: _____
Steering Stop Spacing: _____
Caster Block Spacing: _____

Axle Height:
+3
+2
+1
0

Ball Stud Spacing: _____
Ball Stud Spacing: _____

Rear Suspension:

Ride Height: _____
Camber: _____
Tower Type: _____
Wheel Hex: _____
CVA Bone Length: _____
CVA Pin Location: _____
Anti-Roll Bar: _____
Arm & Position:
73 75 Forward Back
Hub Spacing:
Forward Middle Back
Shock Mounting Position:
Front of Arm Rear of Arm
Notes: _____

C Mount Inserts: 1° 0.5°
Aluminum Brass

D Mount Inserts: 1° 0.5°
Aluminum Brass

Rear Axle Height	
↑ 3 0 ↓	3 ↑ +3mm
↑ 2 1 ↓	2 ↑ +2mm
↓ 2 1 ↑	1 ↑ +1mm
↓ ε 0 ↑	0 ↑ +0mm

Camber Link Spacing: _____
Ball Stud Spacing: _____
Ball Stud Spacing: _____

Electronics:

Radio: _____ **Servo:** _____
EPA: Throttle: _____ % Brake: _____ %
ESC: _____
ESC Settings: _____
Motor: _____
Wind: _____ **Timing:** _____
Pinion: _____ **Spur:** _____
Battery: _____
Battery Position: _____
Battery Weight: _____

Drivetrain:

Transmission: **Laydown:**
3 Gear: **Layback:**
4 Gear: **Stand Up:**
Differential: **Ball Diff:**
Height: _____ **Gear Diff:**
Gear Diff Mass: _____
Notes: _____

Slipper Clutch:
Type: _____
of Pads: _____

Shocks:

	Front	Rear
Piston:	_____	_____
Fluid:	_____	_____
Spring:	_____	_____
Int. Limiters:	_____	_____
Ext. Limiters:	_____	_____
Stroke:	_____	_____
Eyelet Length:	_____	_____
Cup Offset:	_____	_____
Notes:	_____	_____



Track Info:

Size: Small Medium Large Extra Large
Surface: Dirt Carpet AstroTurf Multi Surface
Traction: Low Medium High Very High
Moisture: Dry Damp Wet
Condition: Indoor Outdoor Dusty Hard Packed
Bumpy Grooved Smooth Loamy
Temperature: Ambient: _____ Track: _____
Notes: _____
Vehicle Comments: _____

Tires:

Front Tires: _____
Front Compound: _____
Front Insert: _____
Rear Tires: _____
Rear Compound: _____
Rear Insert: _____
Wheel (F/R): _____
Notes: _____

Chassis, Body, Wing:

Body: _____
Front Wing: _____
Rear Wing: _____
Wing Angle: 0° 3° 6°
Chassis Length: _____
Servo Weights: _____
Electronic Weights: _____
Total Vehicle Weight: _____

TEAM ASSOCIATED

WORLD CHAMPION R / C CARS

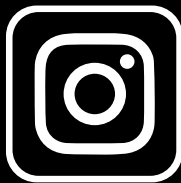
Associated Electrics, Inc.
21062 Bake Parkway Lake Forest, CA 92630 USA

call: (949) 544-7500 - fax: (949) 544-7501
Check out the following web sites for all of our kits,
current products, new releases, setup help, tips, and racing info!
www.AssociatedElectrics.com

FOLLOW US ON SOCIAL MEDIA



TeamAssociated
ReedyPower
ElementRC



@TeamAssociatedRC
@ReedyPower
@Element_RC



@Team_Associated
@ReedyPower



AEFactoryTeam