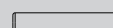
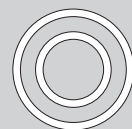
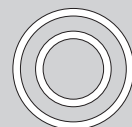
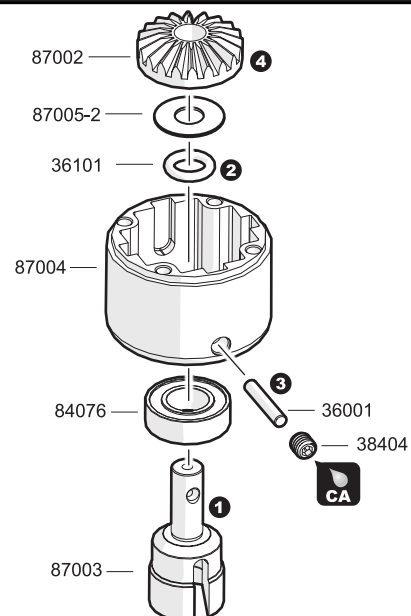
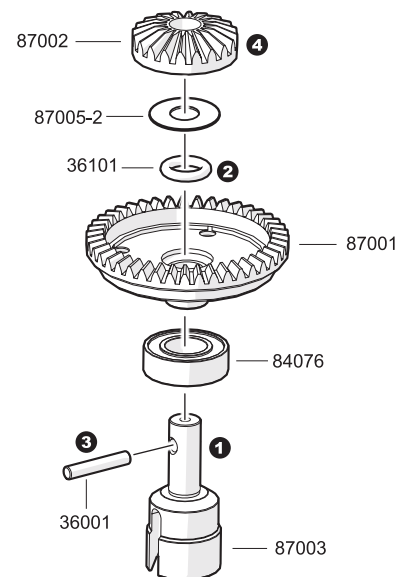
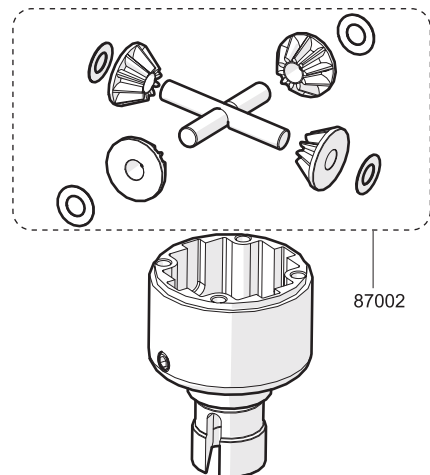
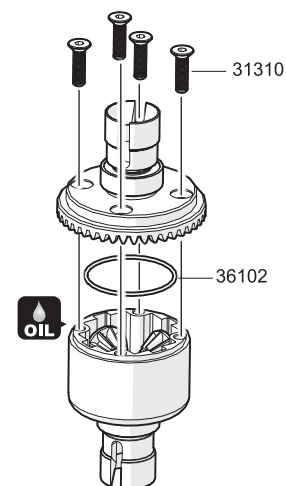
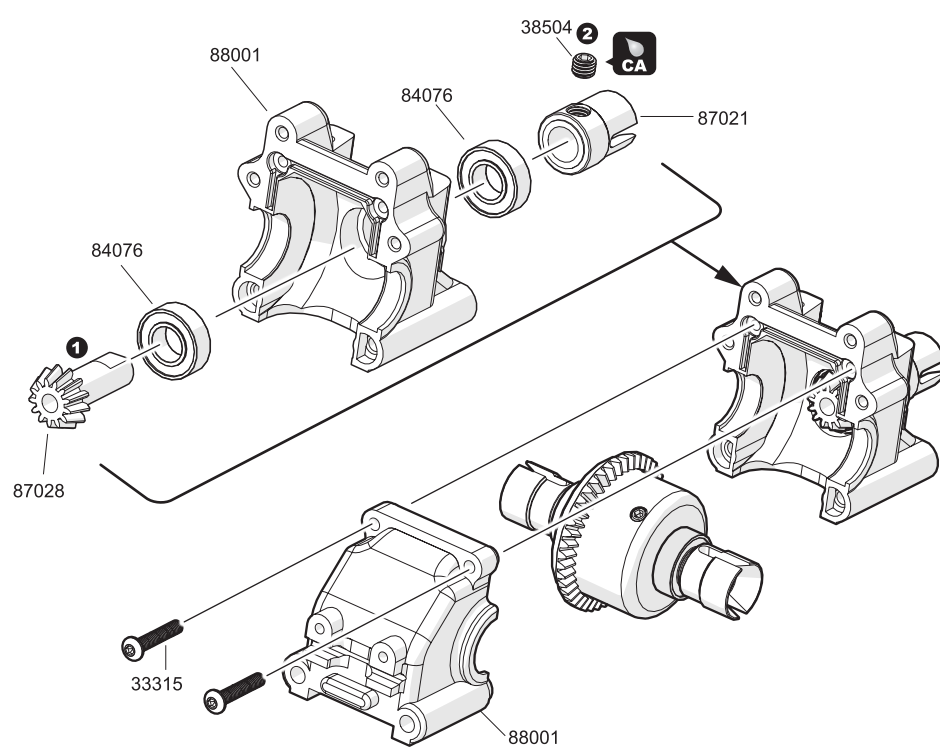
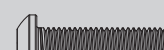
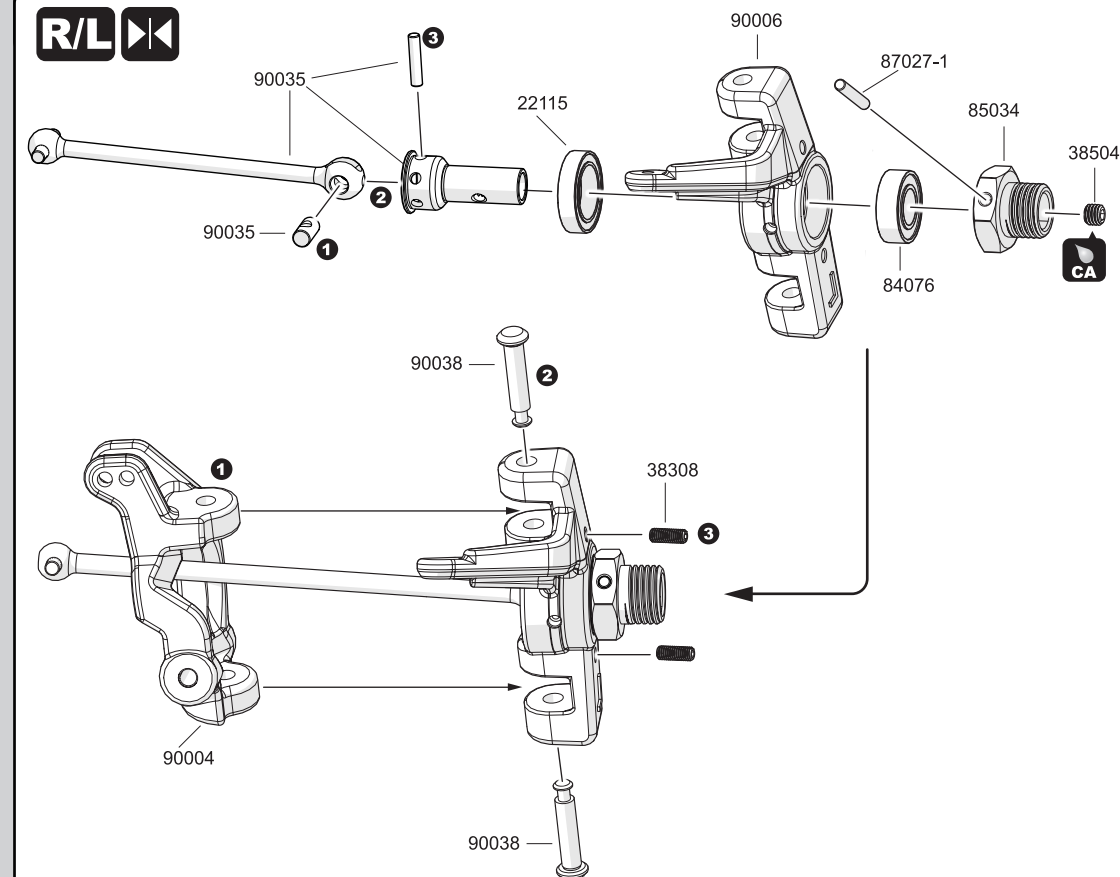
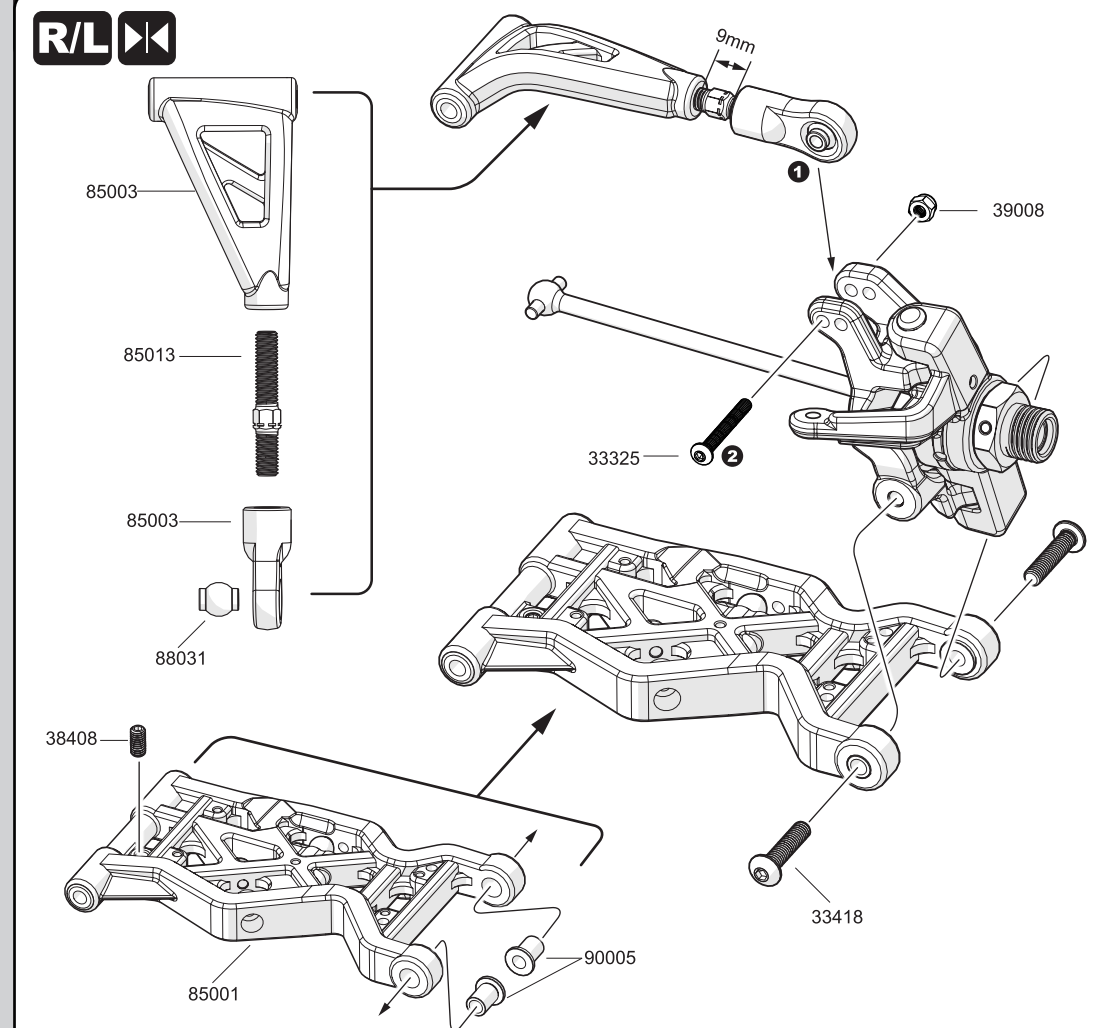


187002
4.1x8x0.1mm x8
Washer87005-2
6.2x13.9x0.15mm x4
Washer36101
5.8x1.9mm x4
O-ring38404
4x4mm x2
Set Screw31310
3x10mm x8
F/H Screw36001
2.5x13.8mm x4
Shaft84076
8x16x5mm x4
Ball Bearing**2**38504
5x4mm x2
Set Screw33315
3x15mm x4
B/H Screw84076
8x16x5mm x4
Ball Bearing**Front / Rear Differential Assembly****x2 GP & EP****1****2****3****4****Front / Rear Gear Box Assembly****x2 GP & EP****3**38504
5x4mm x1
Set Screw38308
3x8mm x2
Set Screw90038
4x21.5mm x2
Hinge Pin90035
2.5x11.8mm x2
Shaft87027-1
2.5x16.8mm x2
Shaft84076
8x16x5mm x1
Ball Bearing22115
12x18x4mm x1
Ball Bearing**4**33325
3x25mm x1
B/H Screw33418
4x18mm x2
B/H Screw39008
M3 Nut x238408
4x8mm x1
Set Screw88031
7.8mm x1
Steel Ball**Front Steering Knuckle and CVA Shaft Assembly****GP & EP****R/L****Front Suspension Arm Assembly****GP & EP****R/L**

5

Front Shock Tower and Lower Arm Holder Assembly

GP & EP



87044S x2
Alum Collar



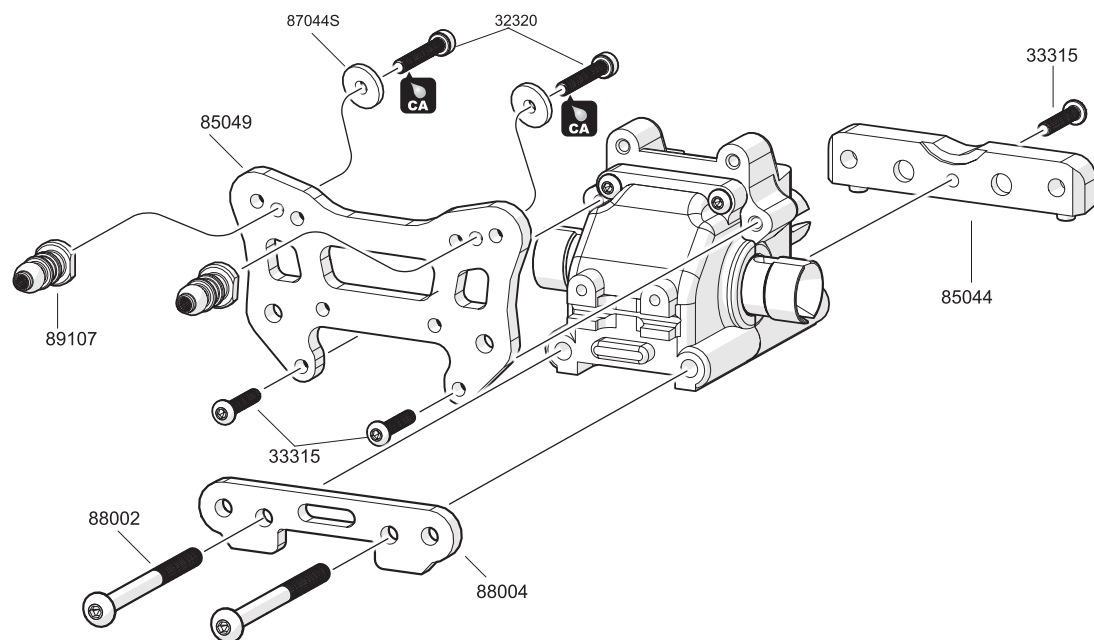
33315
3x15mm x3
B/H Screw



32320
3x20mm x2
Cap Screw



88002
4x47mm x2
B/H Screw



6

Servo Saver Assembly 1

GP & EP



84078
6x10x3mm x4
Ball Bearing



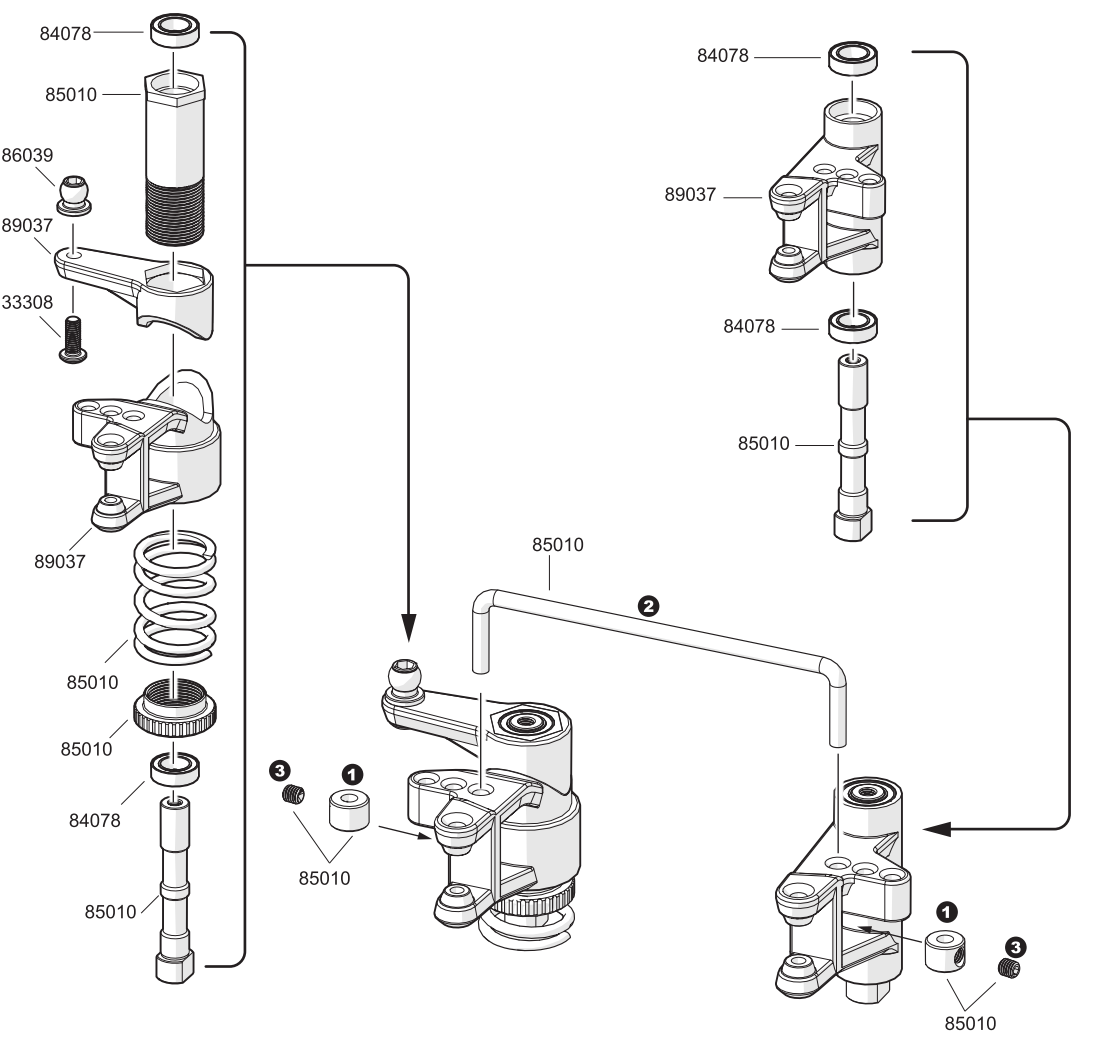
33308
3x8mm x1
B/H Screw



86039
5.8mm x1
Steel Ball



38303
3x3mm x2
Set Screw



7

Servo Saver Assembly 2

GP & EP



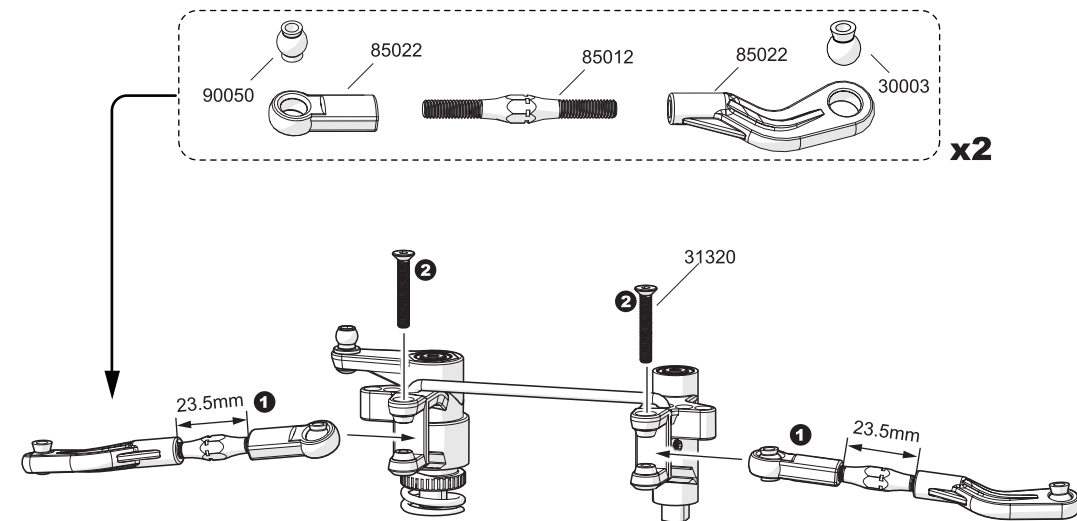
31320
3x20mm x2
F/H Screw



90050
6.8mm x2
Steel Ball



30003
6.8mm x2
Steel Ball



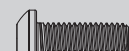
8

Servo Saver Assembly 3

GP & EP



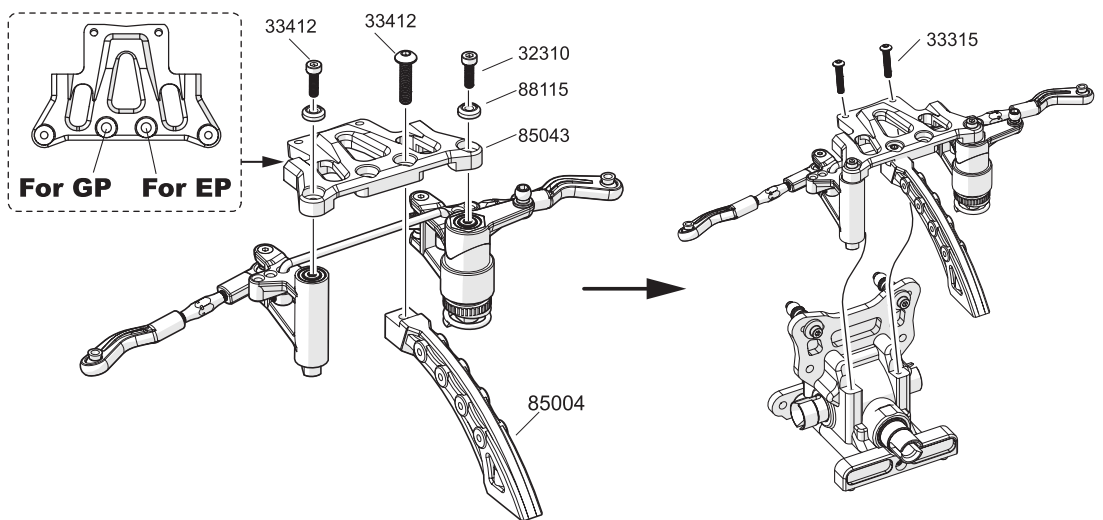
32310
3x10mm x2
Cap Screw



33412
4x12mm x1
B/H Screw



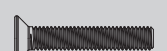
33315
3x15mm x2
B/H Screw



9

Front Suspension Assembly

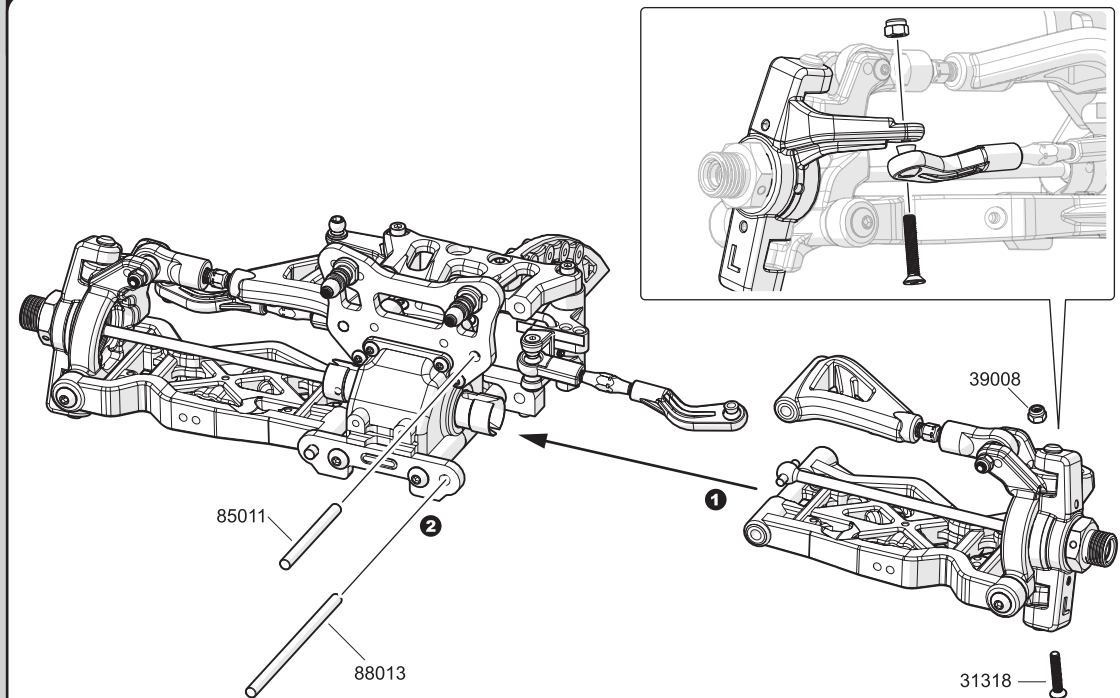
GP & EP








31318
3x18mm x2
F/H Screw

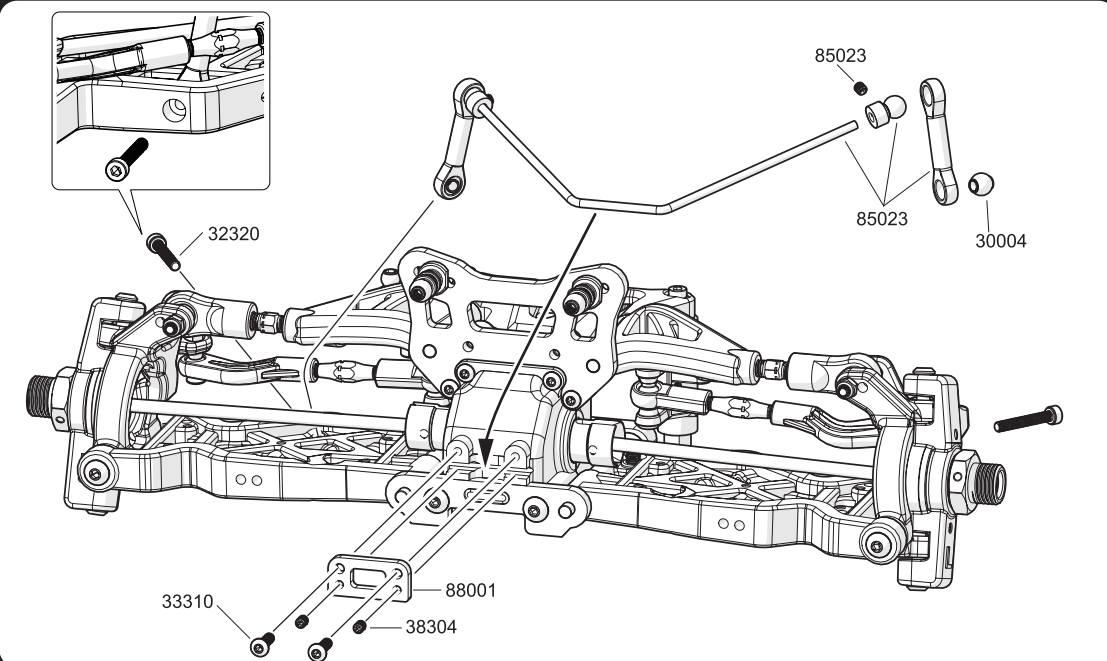








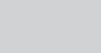
39008
M3 Nut x2

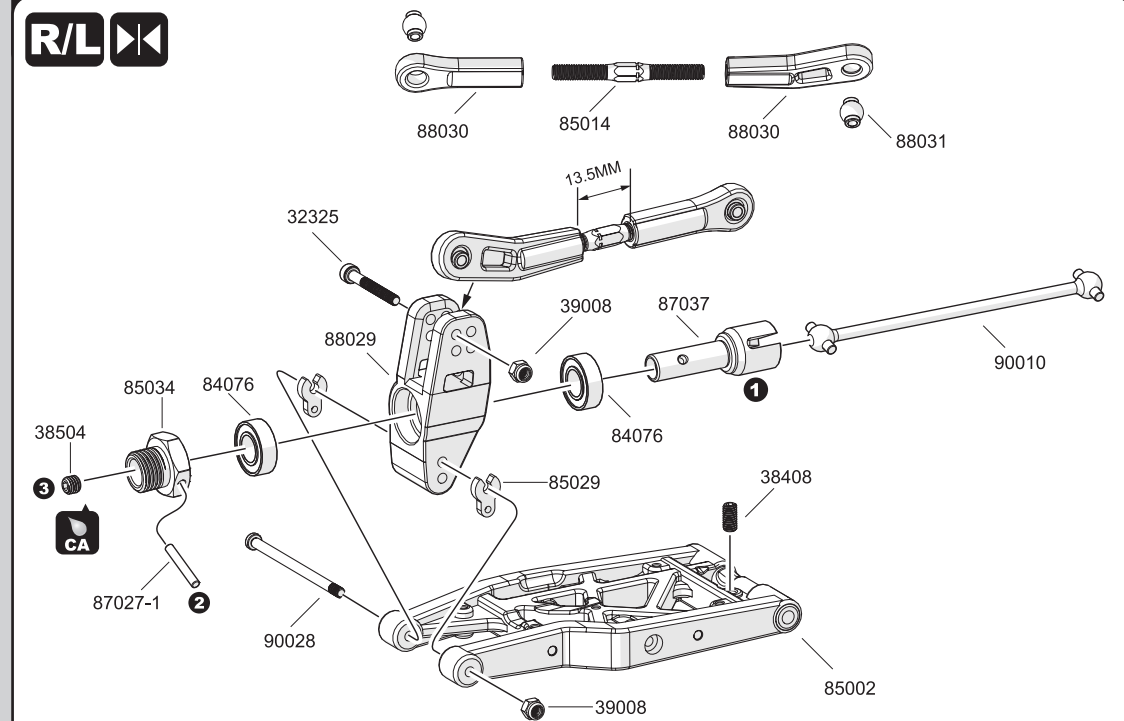






10**Front Sway Bar Assembly****GP & EP**

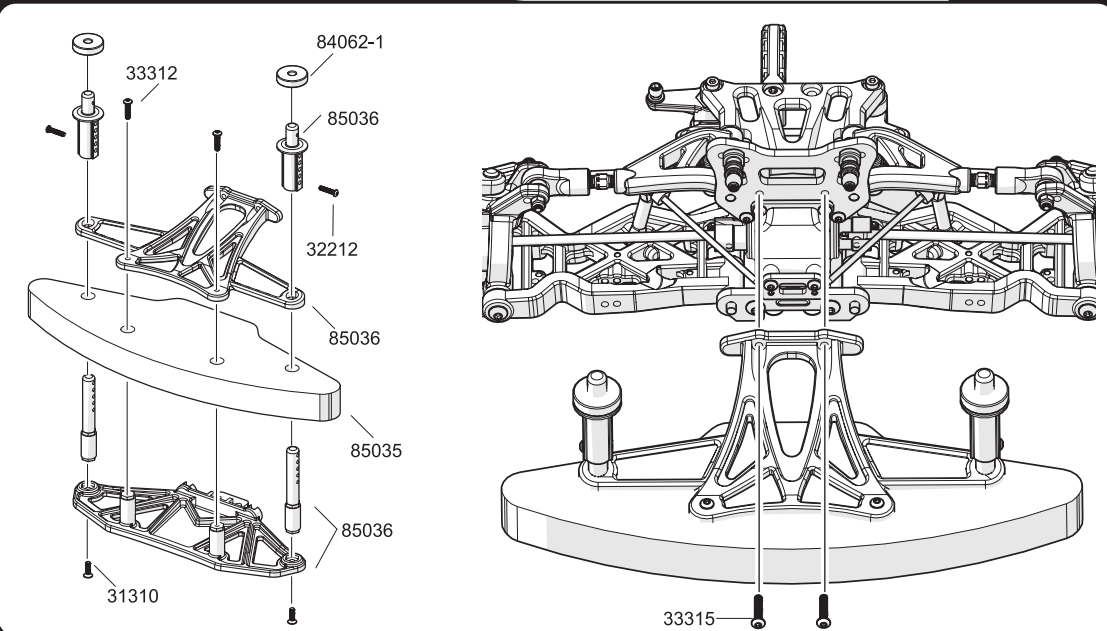
-  85023
3x3mm x2
Set Screw
-  38304
3x4mm x2
Set Screw
-  33310
3x10mm x2
B/H Screw
-  32320
3x20mm x2
Cap Screw
-  30004
6.8mm
Steel Ball


**13****Rear Suspension Arm/Rear Hub and Axle Assembly****GP & EP**

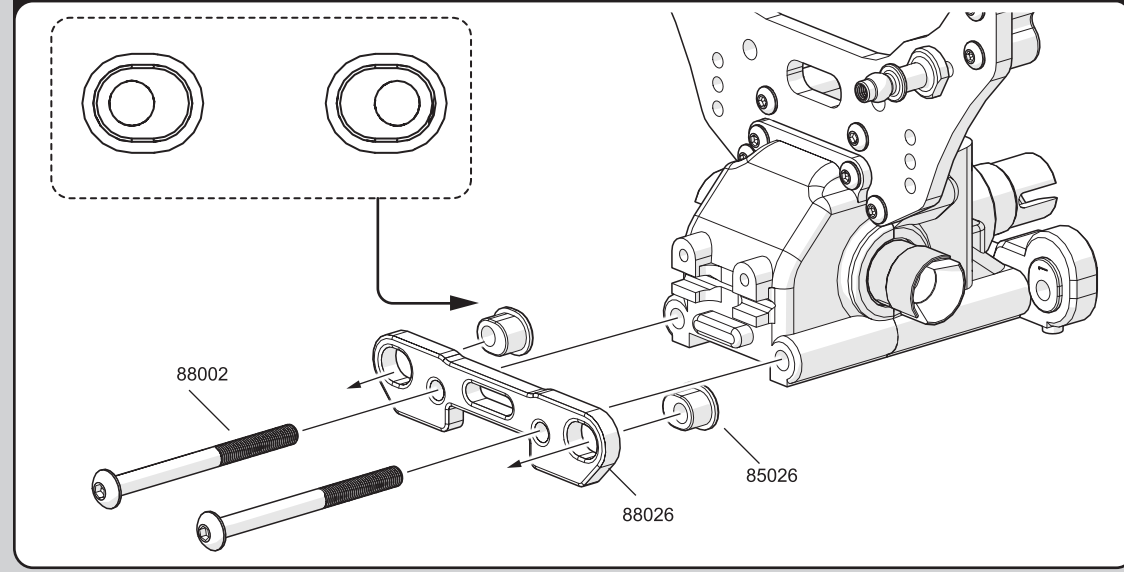
-  38504
5x4mm x1
Set Screw
-  38408
4x8mm x1
Set Screw
-  39008
M3 Nut x2
-  88031
7.8mm x2
Ball Long
-  84076
8x16x5mm x2
Ball Bearing
-  87027-1
2.5x16.8mm x1
Shaft
-  32325
3x25mm x1
Cap Screw



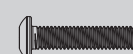


**11****Front Bumper Assembly****GP & EP**

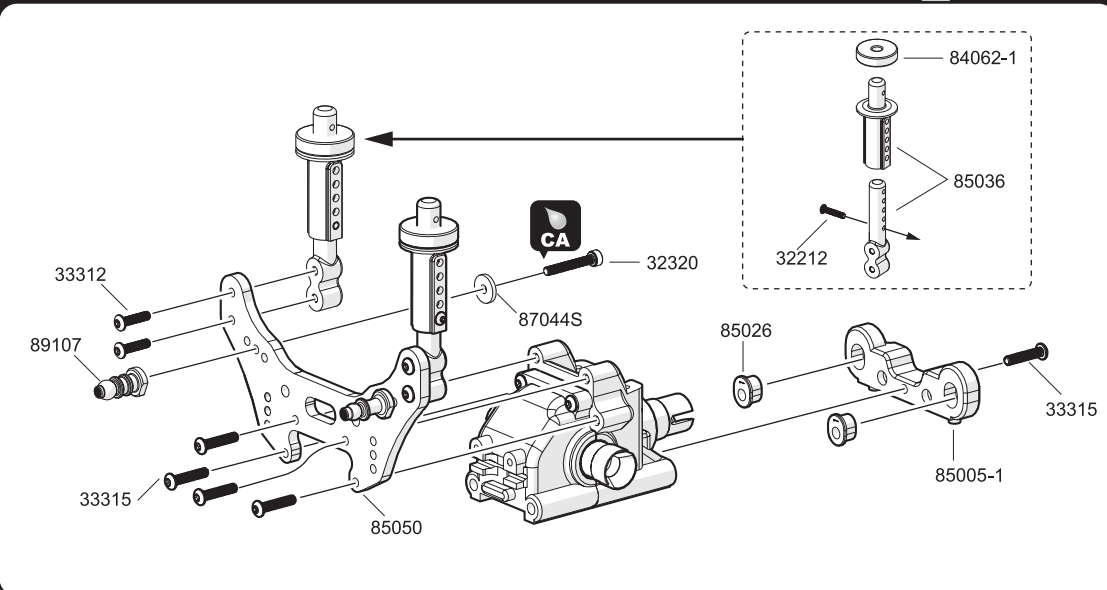
-  33315
3x15mm x2
B/H Screw
-  33312
3x12mm x2
B/H Screw
-  31310
3x10mm x2
F/H Screw
-  32212
2.6x12mm x2
B/H Screw




**14****Rear Lower Arm Holder and Arm Insert Assembly****GP & EP**

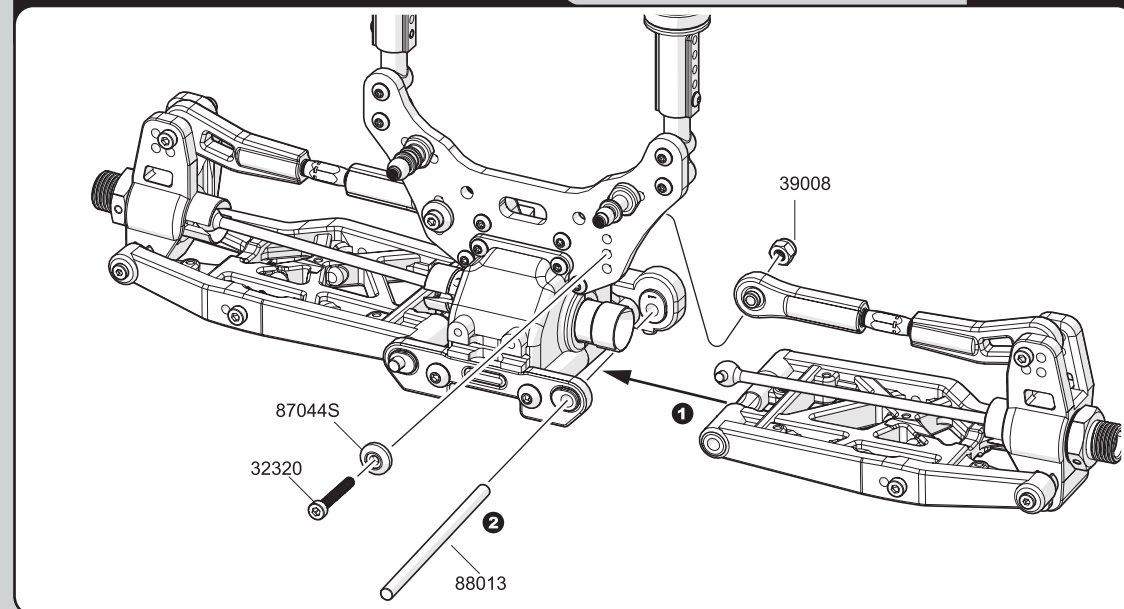
-  88002
4x47mm x2
B/H Screw

**12****Rear Shock Tower and Lower Arm Holder Assembly****GP & EP**

-  87044S
Alum Collar x2
-  32320
3x20mm x2
Cap Screw
-  33315
3x15mm x5
B/H Screw
-  33312
3x12mm x4
B/H Screw
-  32212
2.6x12mm x2
B/H Screw

**15****Rear Suspension Assembly****GP & EP**

-  32320
3x20mm x2
Cap Screw
-  87044S
Alum Collar x2
-  39008
M3 Nut x1

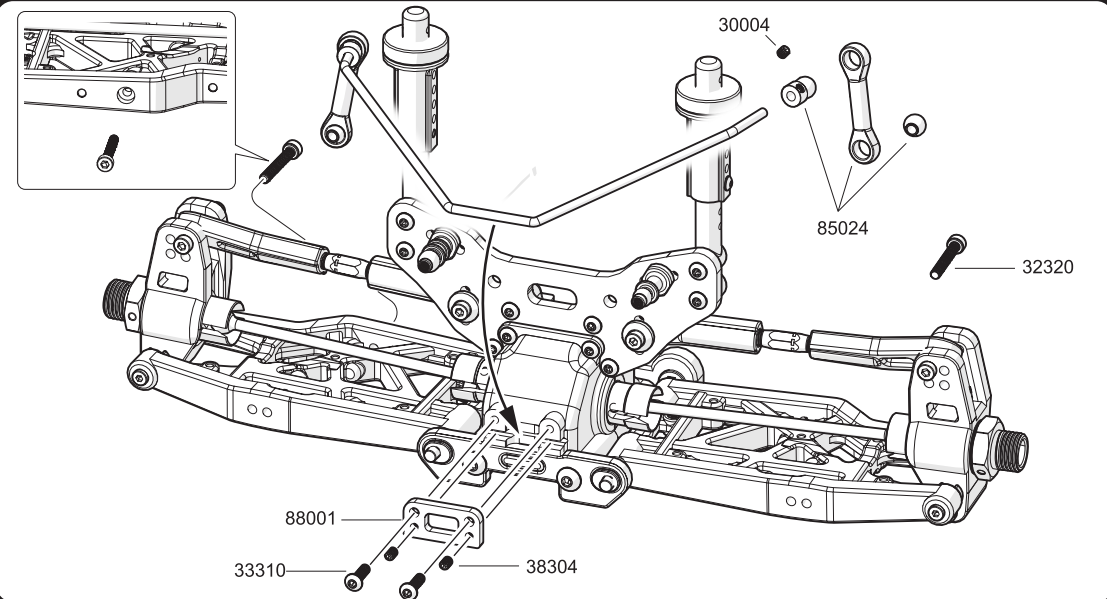


16

Rear Sway Bar Assembly

GP & EP

- 32320 3x20mm x2 Cap Screw
- 38303 3x3mm x2 Set Screw
- 30004 6.8mm x2 Steel Ball
- 33310 3x10mm x2 B/H Screw
- 38304 3x4mm x2 Set Screw

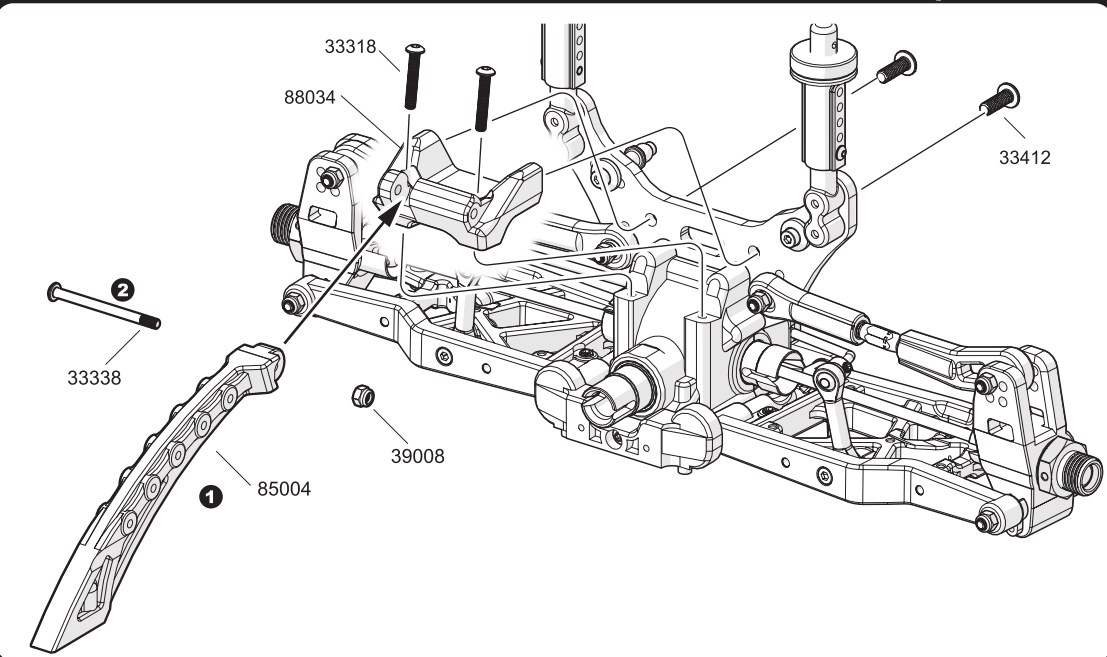


17

Rear Body Post/Wing Mount and Chassis Brace Assembly

GP & EP

- 33318 3x18mm x2 B/H Screw
- 33412 4x12mm x2 B/H Screw
- 39008 M3 Nut x1
- 33338 3x38mm x1 B/H Screw

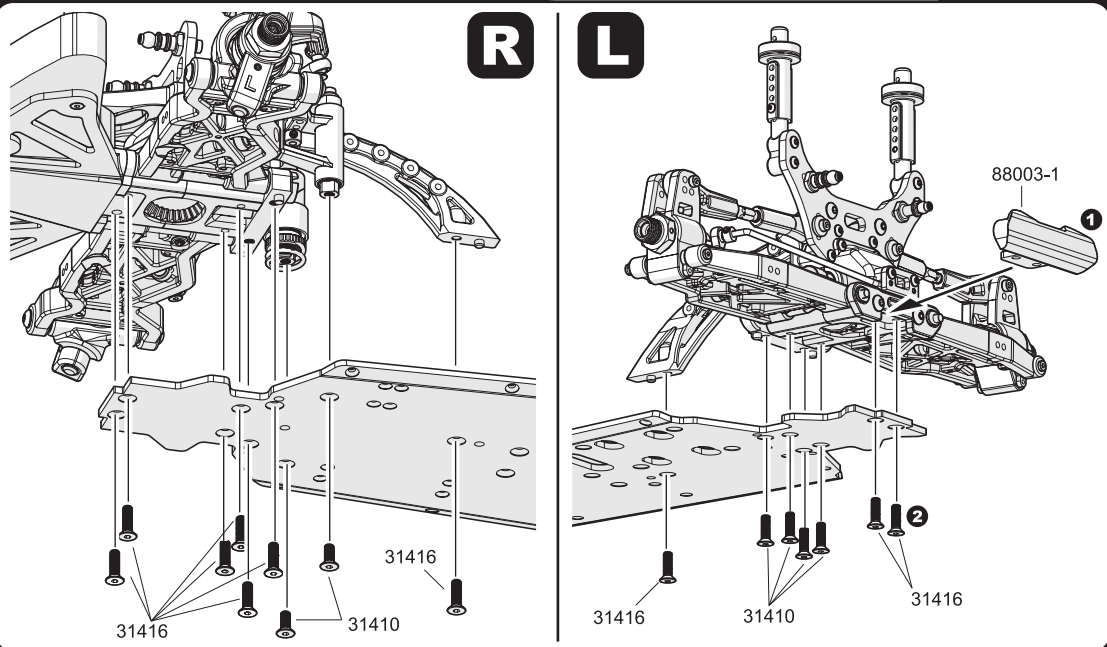


18

Front & Rear Clip Assembly

GP & EP

- 31410 4x10mm x6 F/H Screw
- 31416 4x16mm x10 F/H Screw

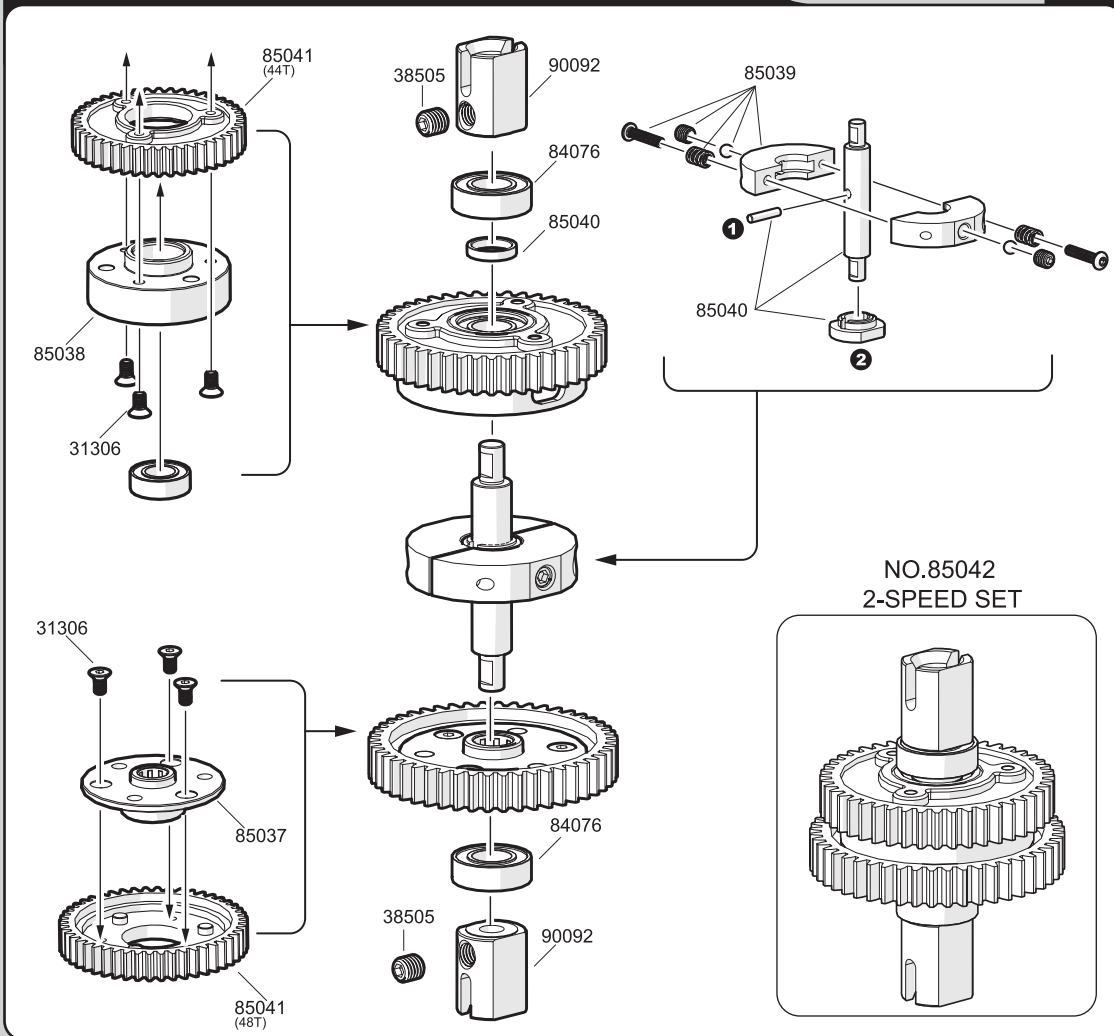


19

2-Speed Gear and Clutch/Shaft Assembly

GP

- 38505 5x5mm x2 Set Screw
- 31306 3x6mm x6 F/H Screw
- 85039 3x15mm x2 B/H Screw

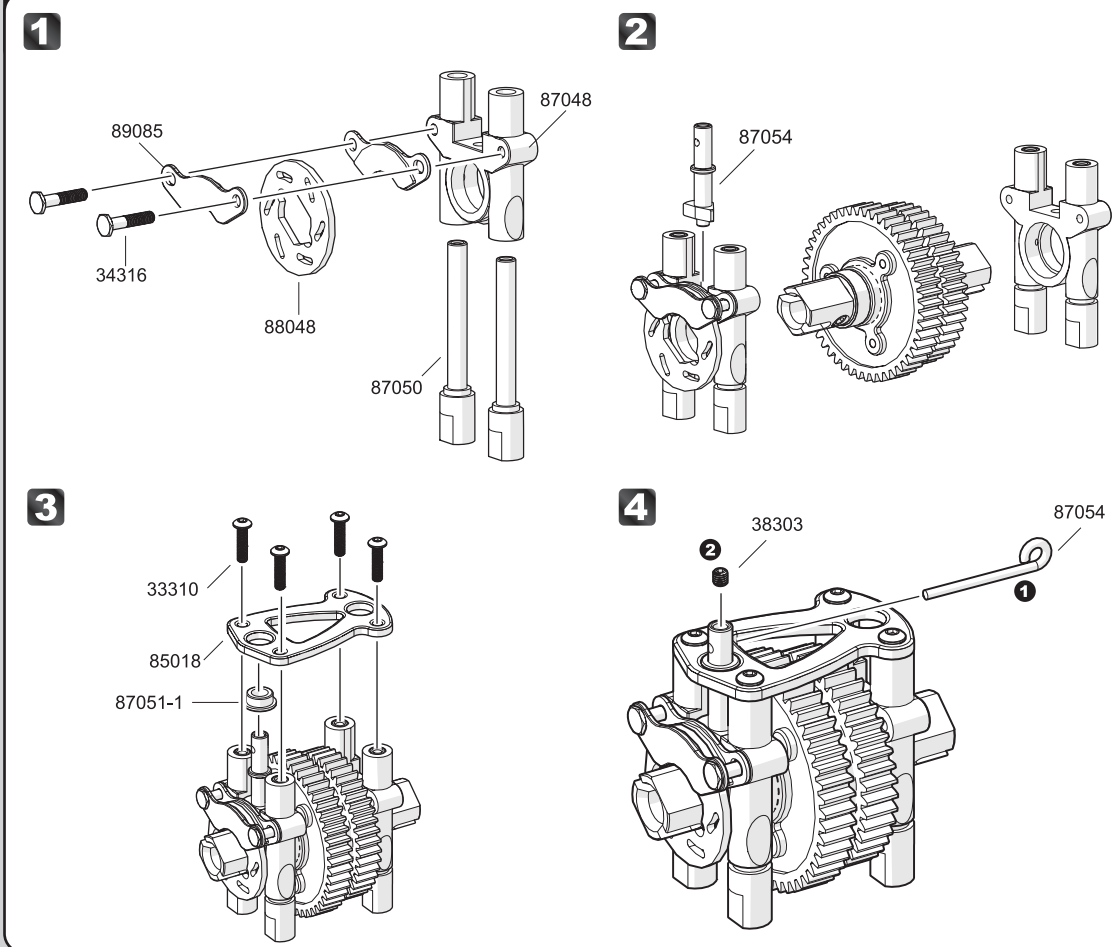


20

2-Speed Gear Mount and Brake Mount/Post Assembly

GP

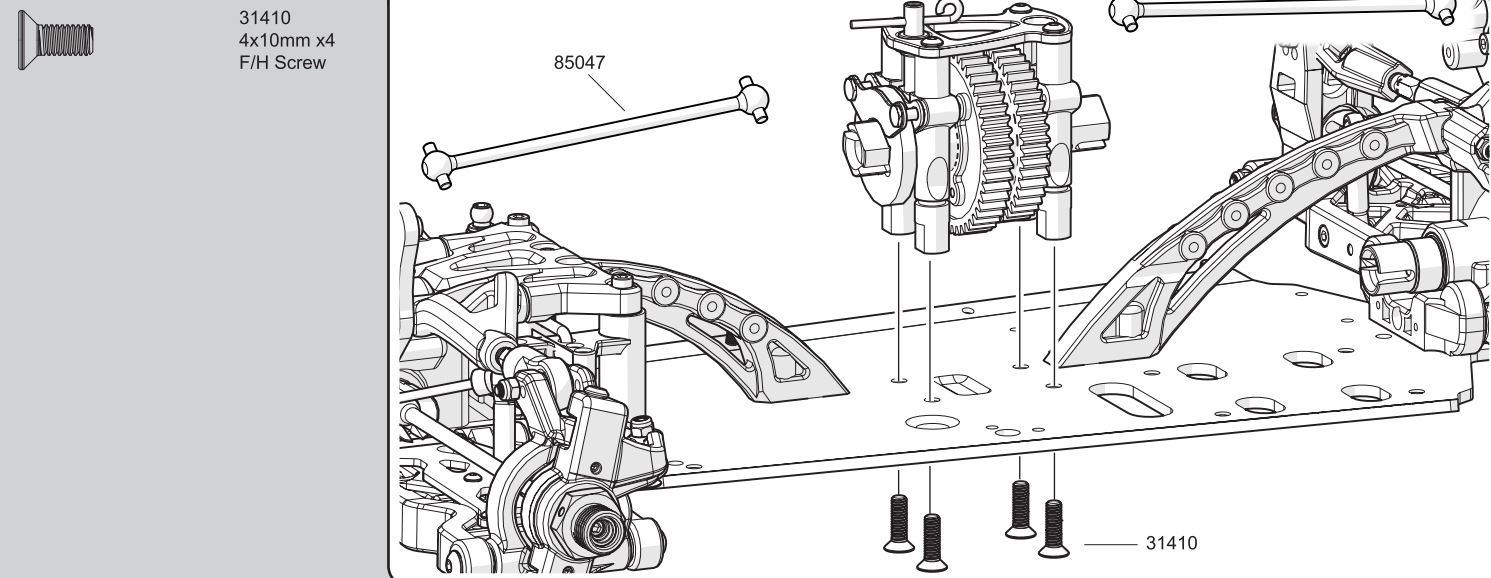
- 38303 3x3mm x2 Set Screw
- 33310 3x10mm x4 B/H Screw
- 34316 3x14.5mm x4 Brake Screw



21

2-Speed Gear Unit and Center Drive Shaft Assembly

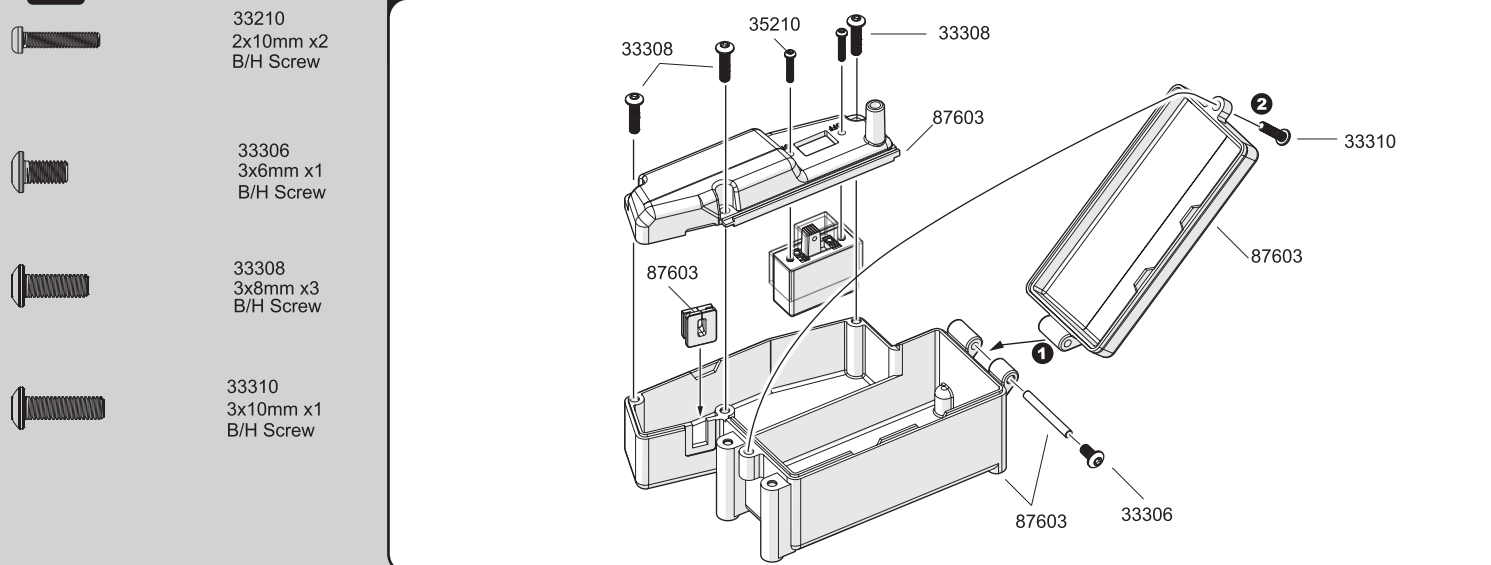
GP



22

Battery/ Receiver Box and On-Off Switch Assembly

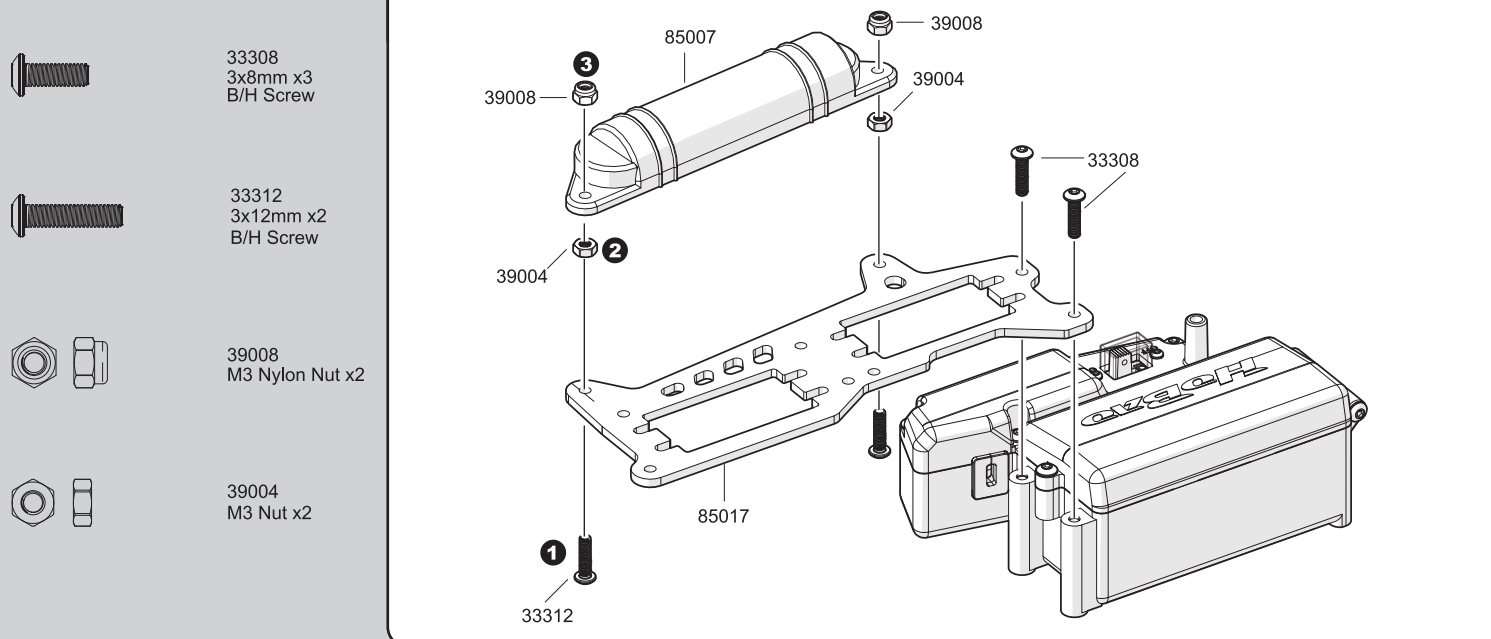
GP



23

Radio Tray and Battery Cover/Box Assembly

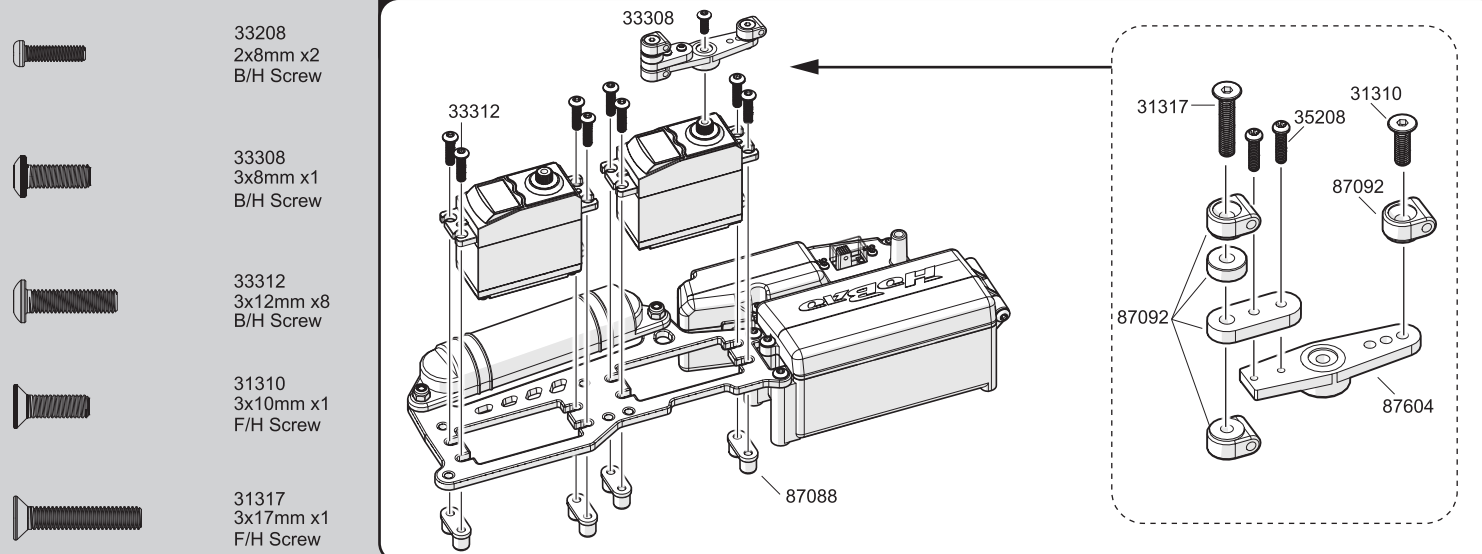
GP



24

Servo Mount and Servo Horn Assembly

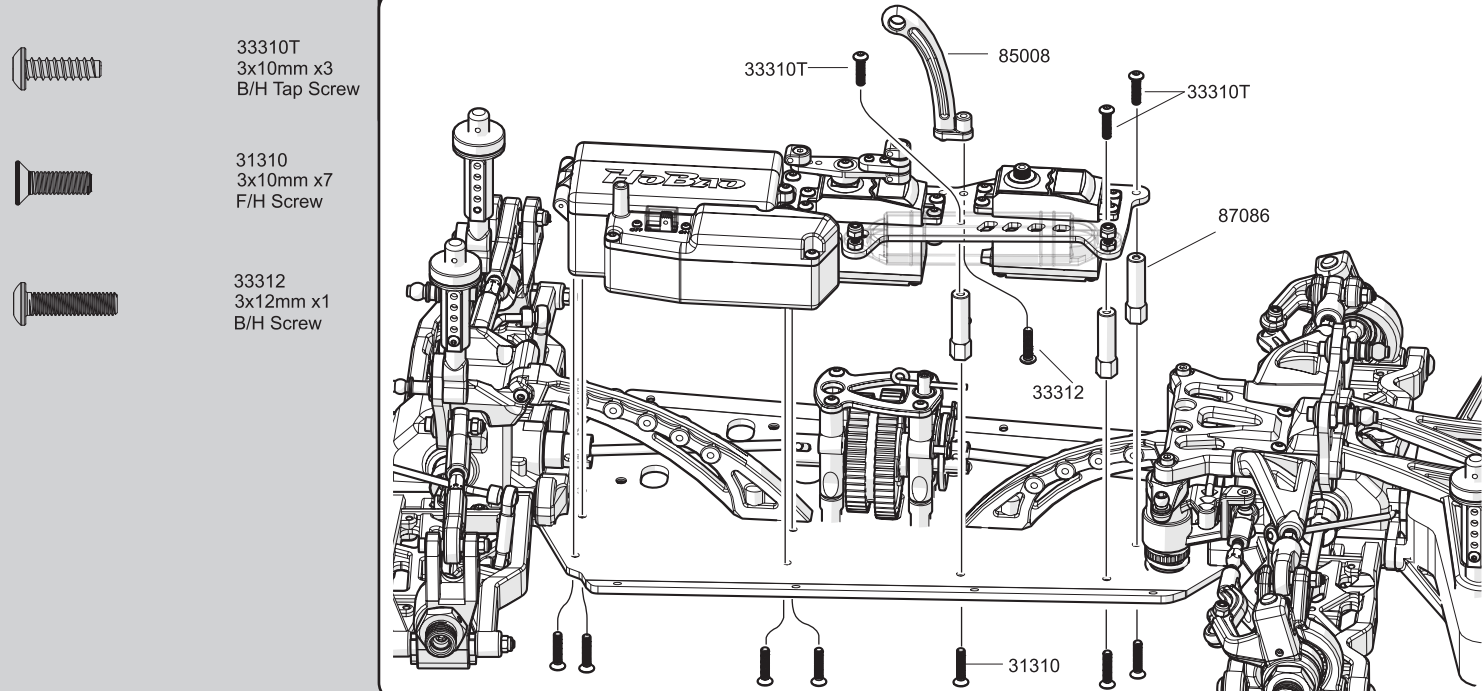
GP



25

Air Filter Holder and Radio Tray Post Assembly

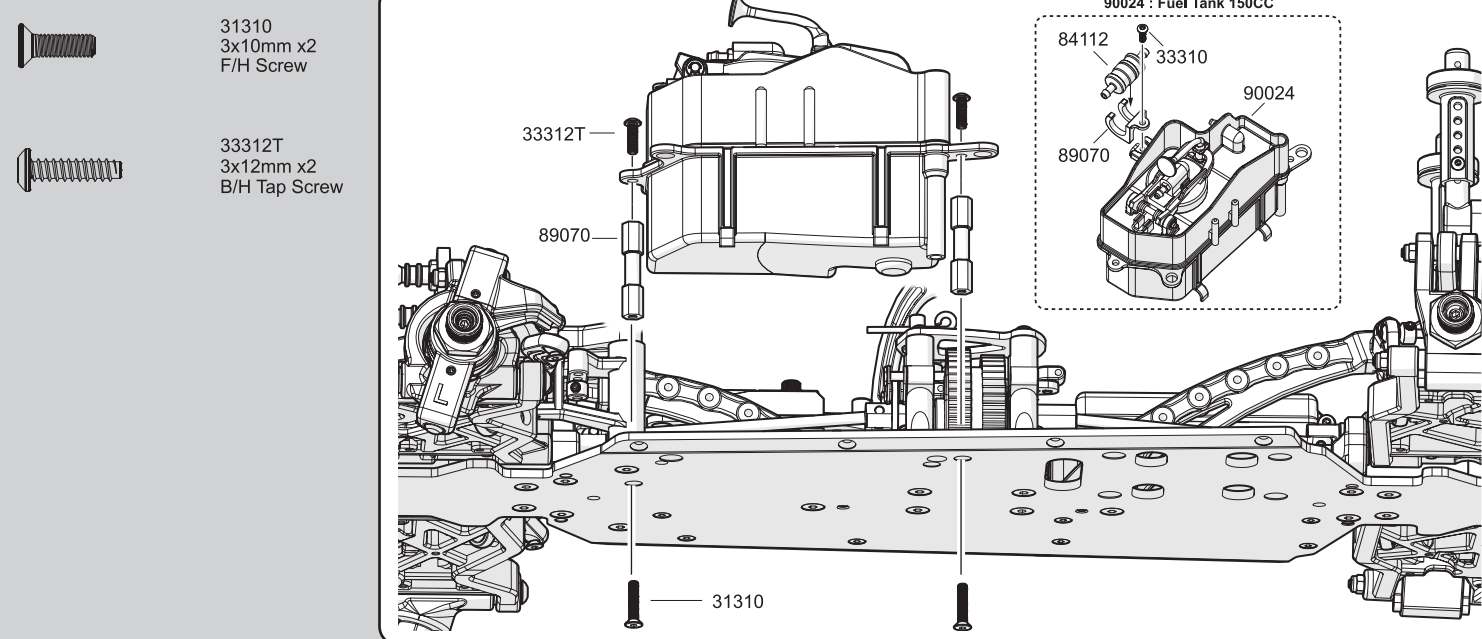
GP



26

Fuel Tank Set onto Chassis Assembly

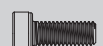
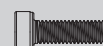
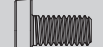




GP

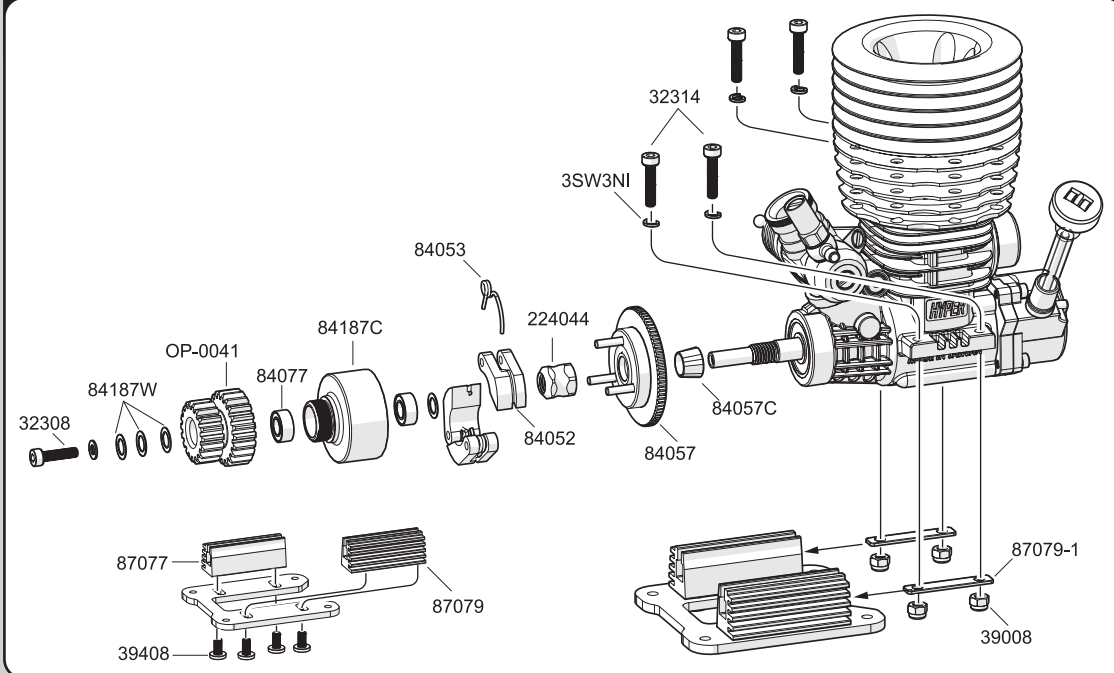


27

Engine Mount and Clutch Set Assembly

GP

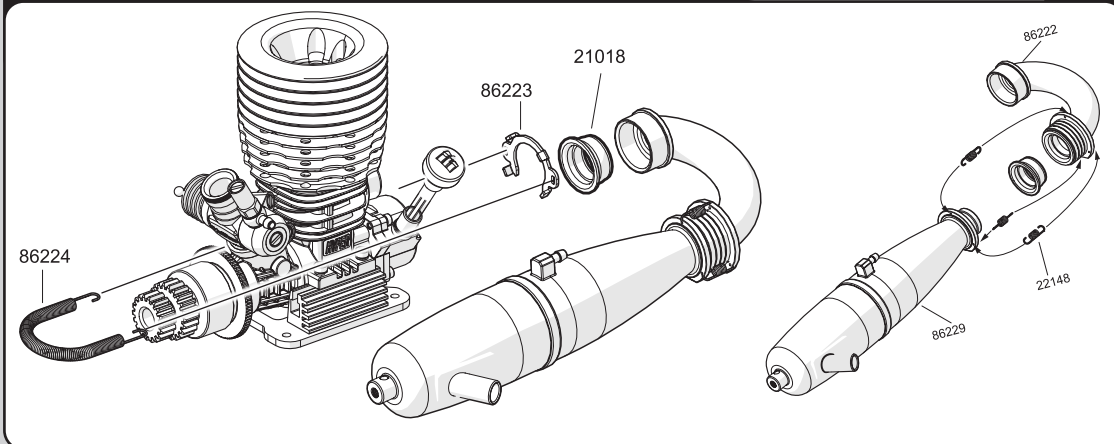
-  32308
3x8mm x1
Cap Screw
-  32314
3x14mm x4
Cap Screw
-  39408
4x8mm x4
Engine Screw
-  84187W
3.1x6x0.5mm
Washer
-  84187W
5.1x8x0.25mm
Washer
-  39008
M3 Nut x4
-  84077
5x10x4mm x2
Ball Bearing



28

In-Line Muffler And Manifold Assembly

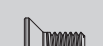


GP

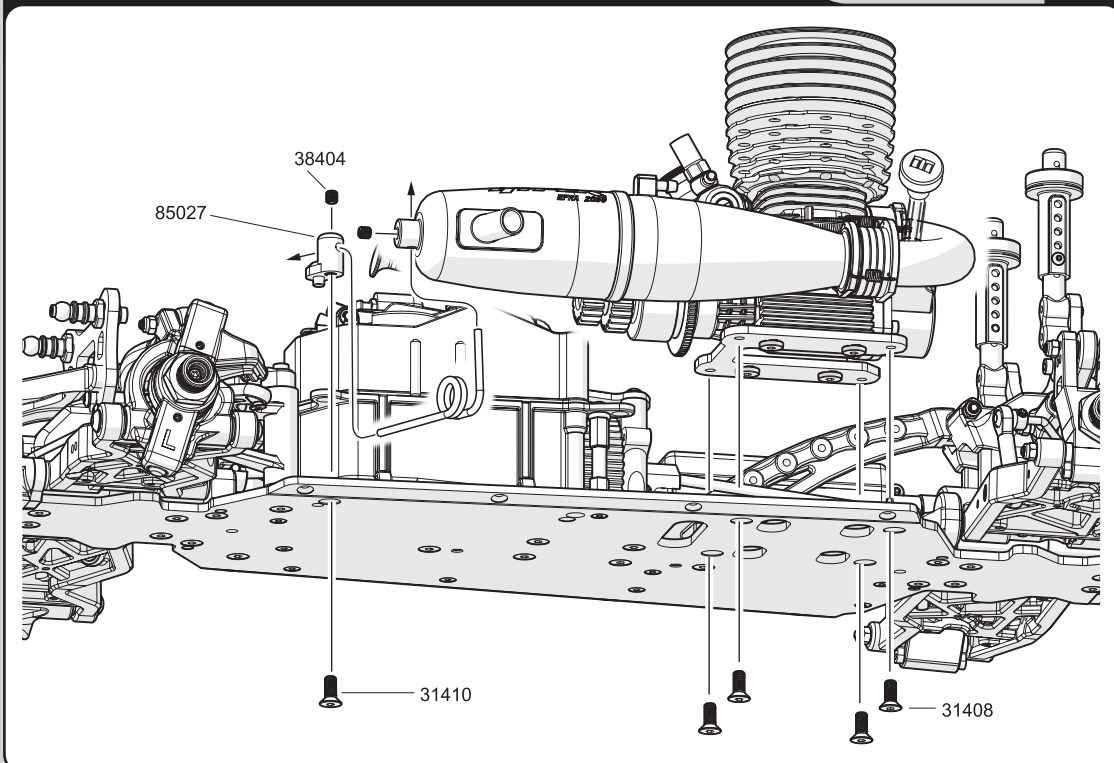


29

Engine Unit and Exhaust System Assembly

GP


-  31408
4x8mm x4
F/H Screw
-  31410
4x10mm x1
F/H Screw
-  38404
4x4mm x2
Set Screw

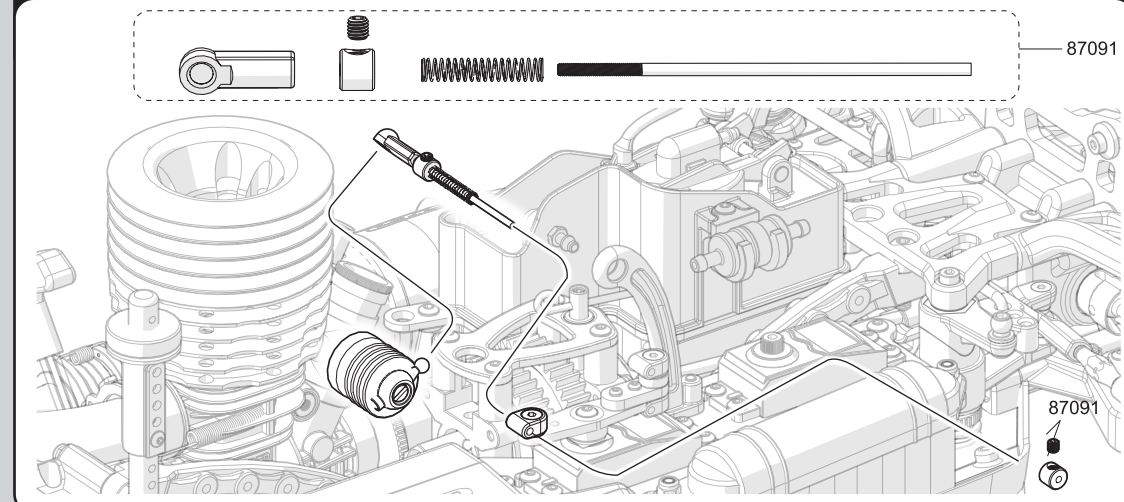


30

Throttle Link Assembly

GP



-  38303
3x3mm x2
Set Screw

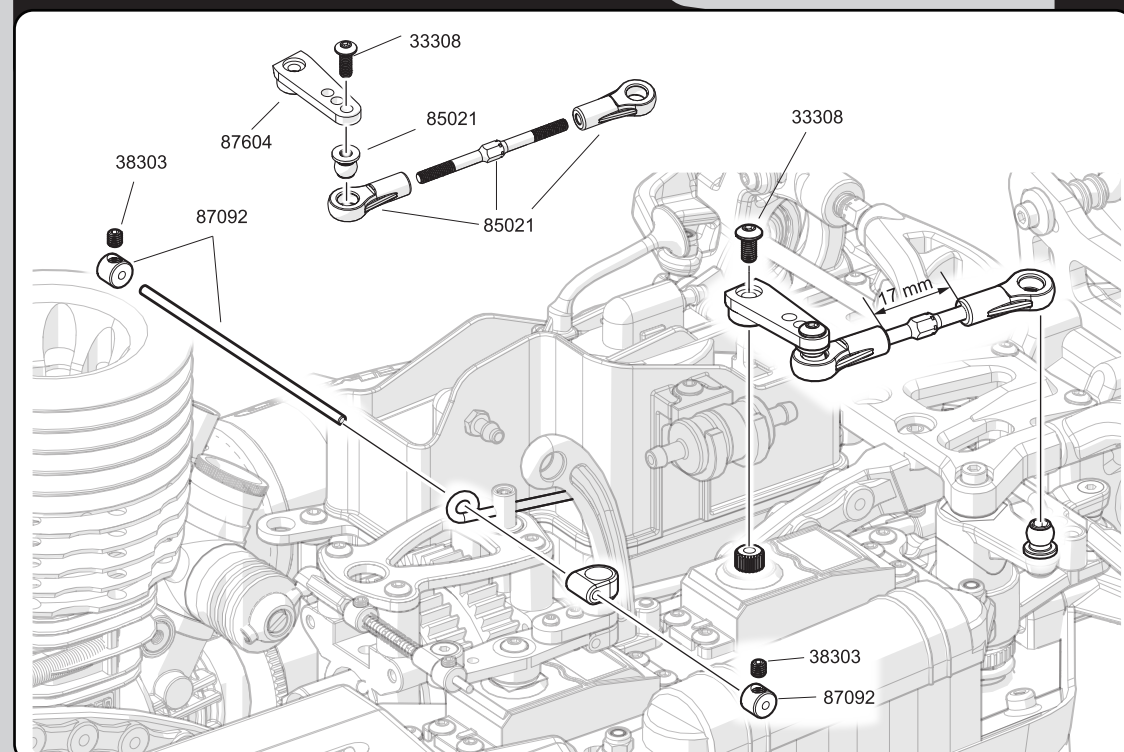


31

Steering and Brake Link Assembly

GP




-  33308
3x8mm x2
B/H Screw
-  38303
3x3mm x4
Set Screw

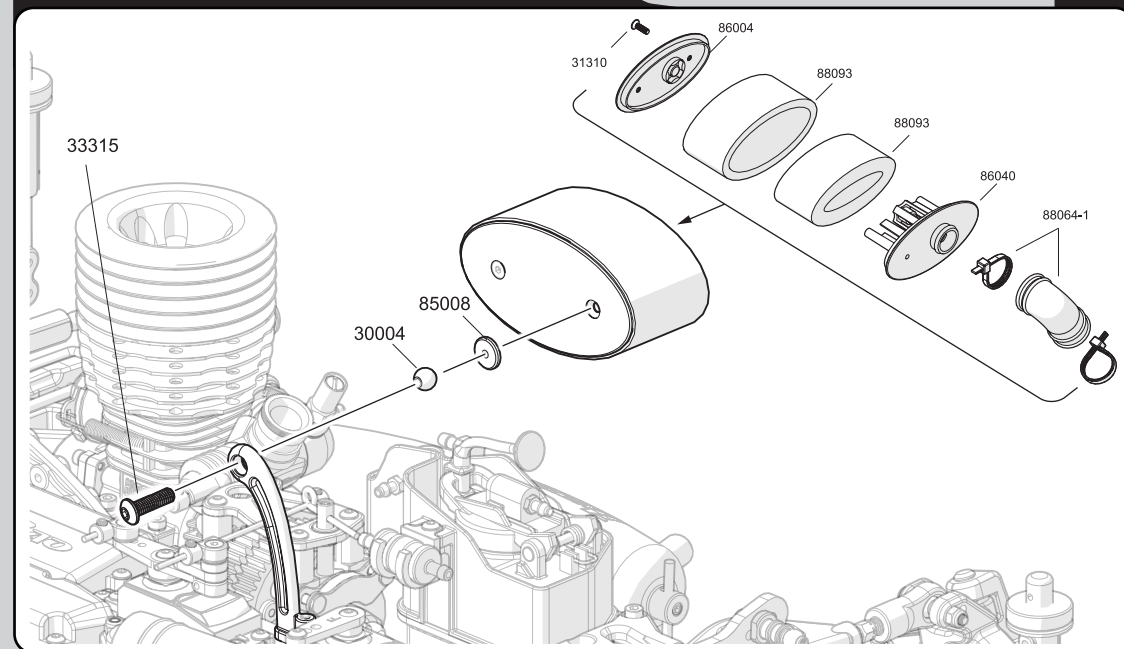


32

Air Filter and Holder Assembly

GP

-  31310
3x10mm x1
F/H Screw
-  30004
6.8mm x1
Steel Ball
-  33315
3x15mm x1
B/H Screw

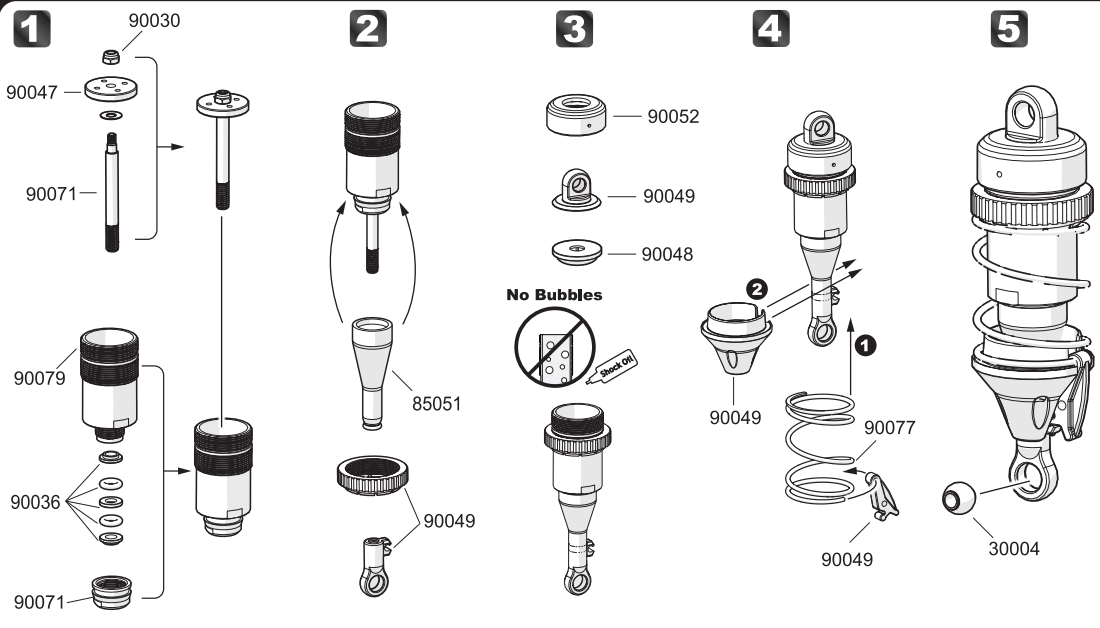


33

Front / Rear Shock Absorber Assembly

GP & EP

- 90030 M2.6 Nut x4
- 90030 3.1x7x0.25mm x4 Washer
- 90036 O-ring Shield
- 90036 4x8mm x8 O-Ring
- 90036 4.05x7.98x1.2mm x4 Washer
- 30004 6.8mm x4 Ball

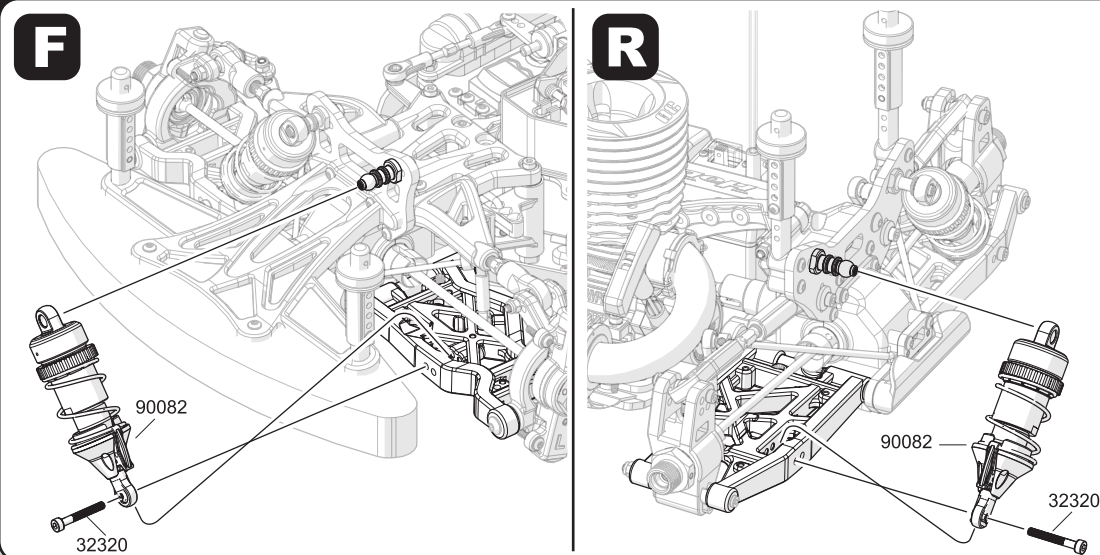


34

Front / Rear Shock Absorber Assembly

GP & EP

- 32320 3x20mm x4 Cap Screw

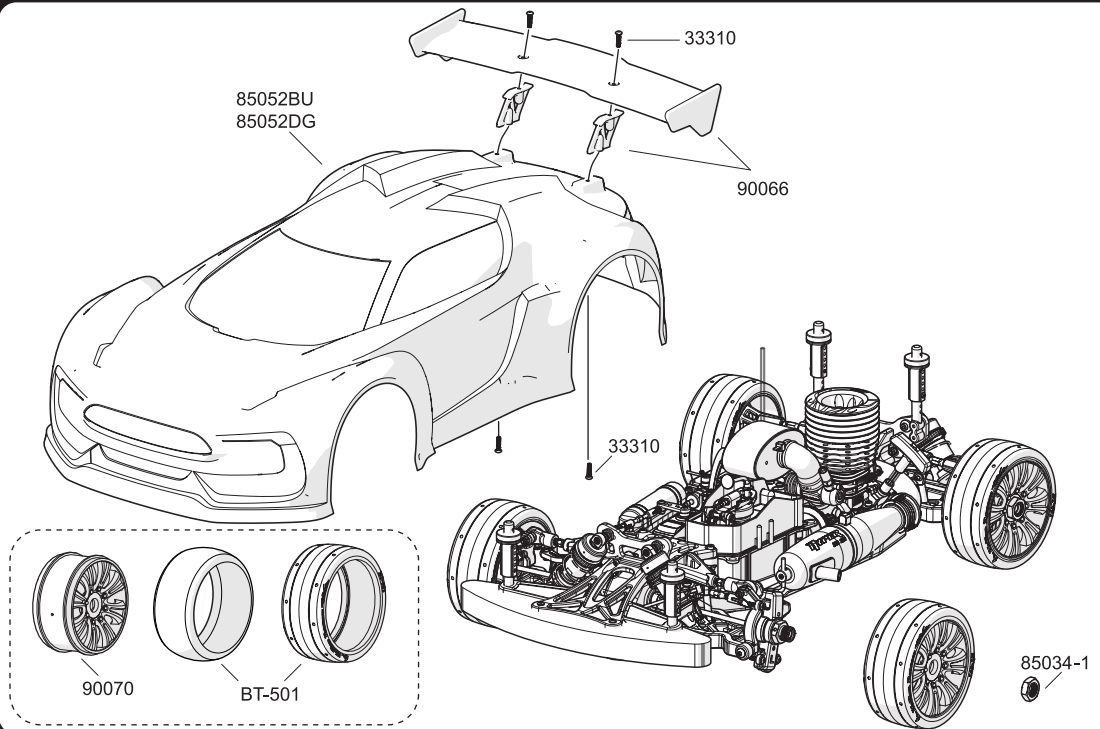


35

Body and Tires/Wheels Assembly

GP & EP

- 85034-1 Wheel Hex Nut x4
- 33310 3x10mm x4 B/H Screw



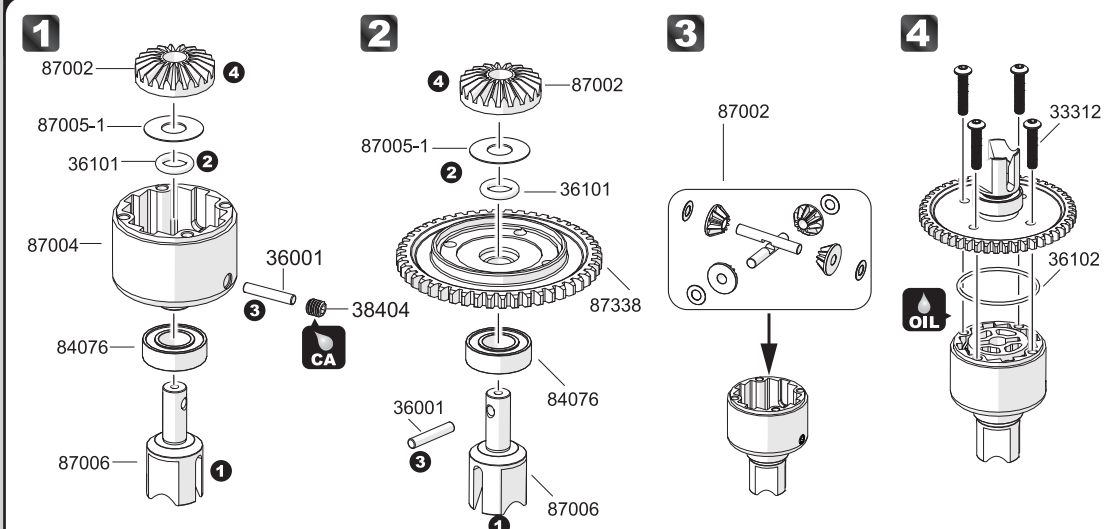
HYPERVT_e ELECTRIC ASSEMBLY

Center Differential Set and Motor Mount Assembly

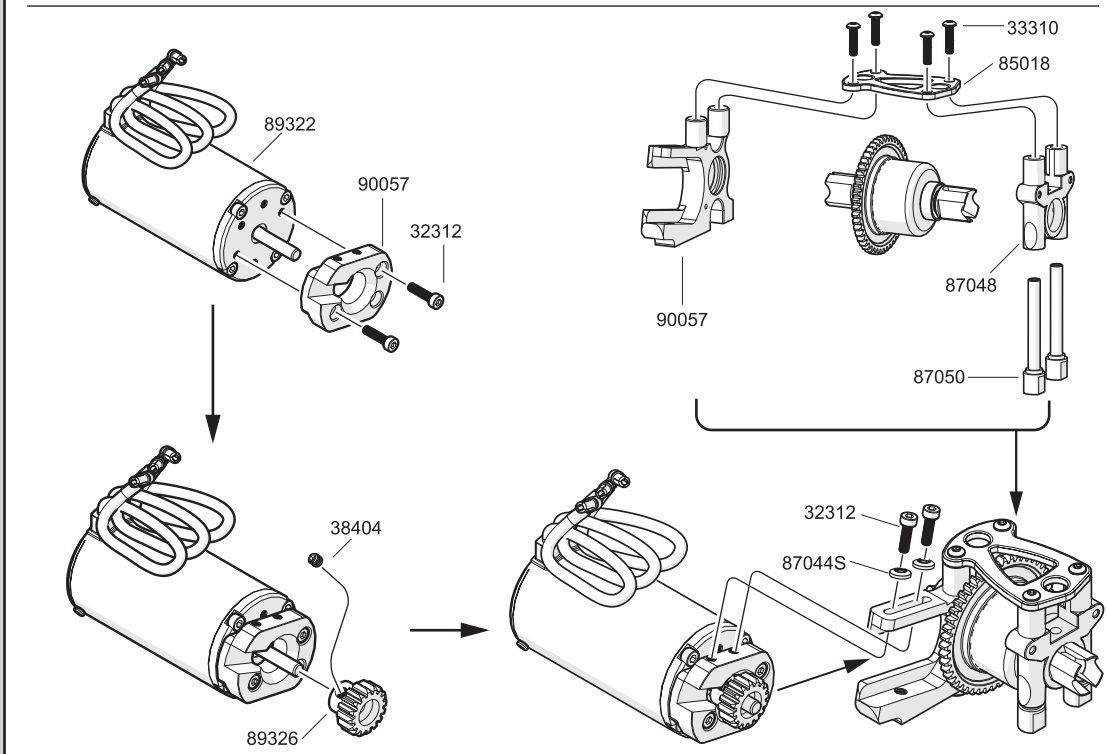
EP

01

- 87002 4.1x8x0.1mm x4 Washer
- 87005-1 6.1x13.9x0.3mm x2 Washer
- 36101 5.8x1.9mm x2 O-ring
- 38404 4x4mm x1 Set Screw
- 33312 3x12mm x4 B/H Screw



- 36001 2.5x13.8mm x2 Shaft
- 84076 8x16x5mm x2 Ball Bearing
- 33310 3x10mm x4 B/H Screw
- 32312 3x12mm x4 Cap Screw
- 38404 4x4mm x1 Set Screw
- 87044S Alum Collar x2

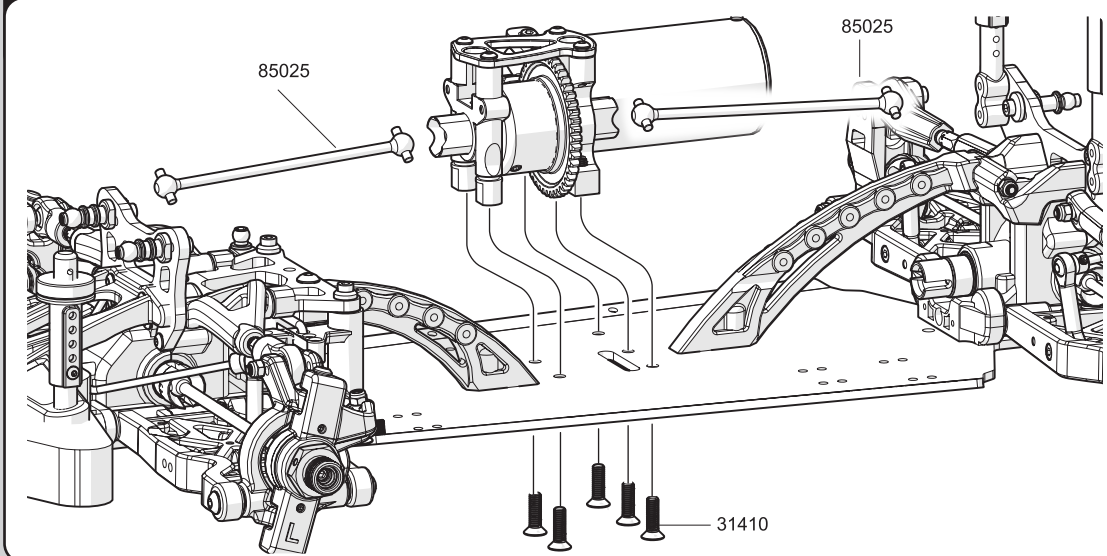


02

- 31410 4x10mm x5 F/H Screw

Center Differential mount and Drive Shaft Assembly






EP

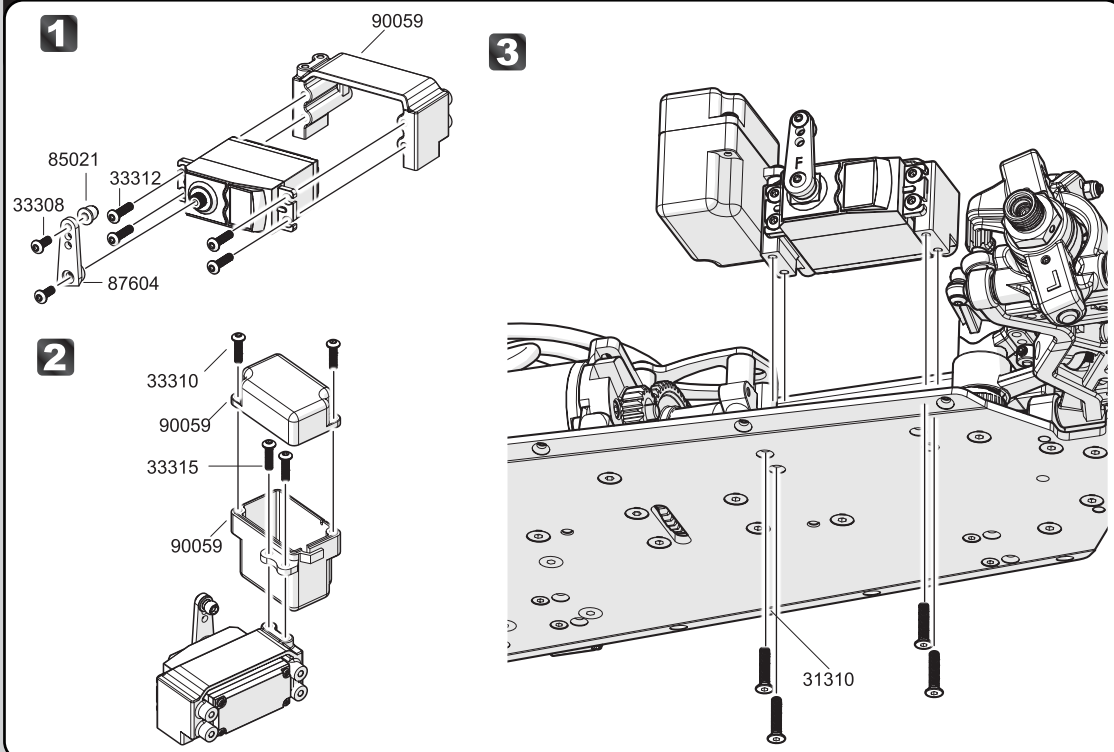


03

Receiver Box and Steering Servo Mount Assembly

EP

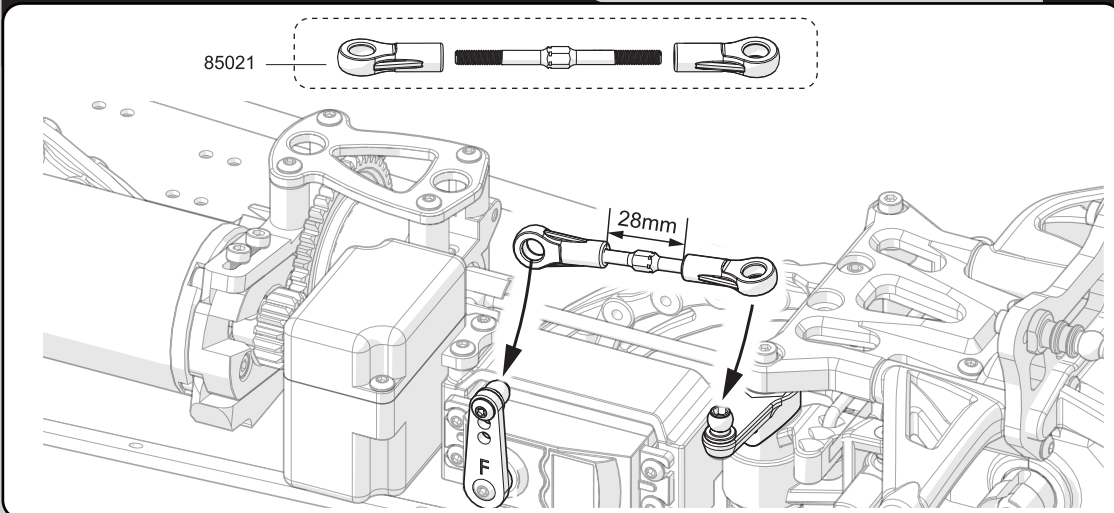
-  33308
3x8mm x2
B/H Screw
-  33312
3x12mm x4
B/H Screw
-  33310
3x10mm x2
B/H Screw
-  33315
3x15mm x2
B/H Screw
-  31310
3x10mm x4
F/H Screw



04

Steering Servo Link Assembly


EP

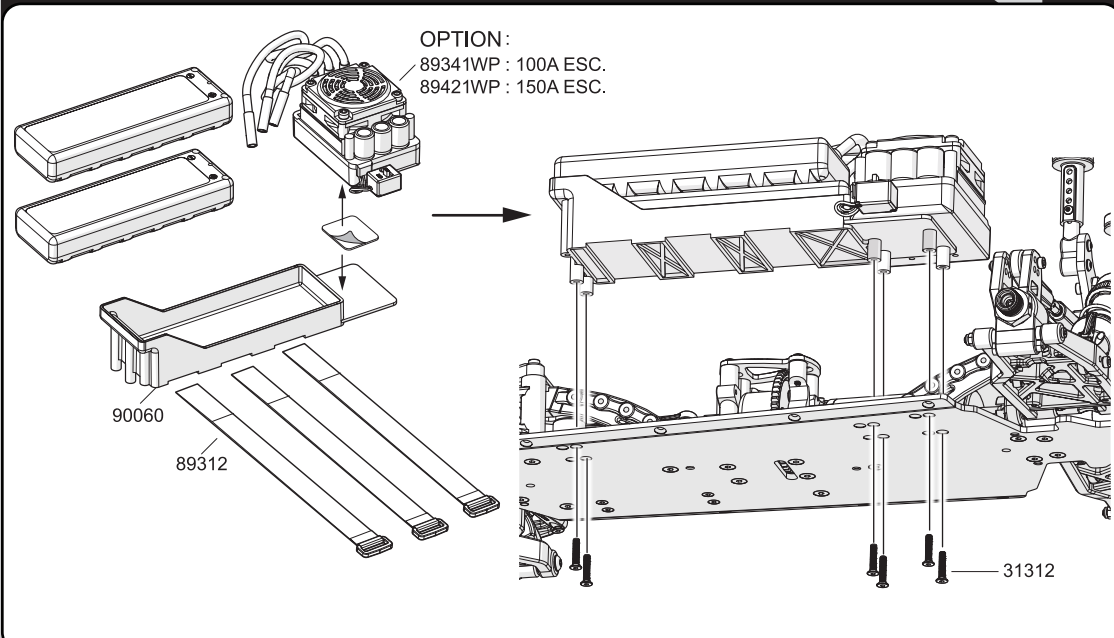


05

Electric Speed Controller and Battery Tray Assembly


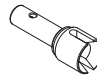

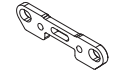
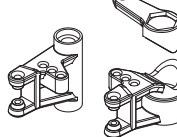
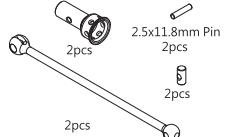


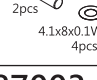







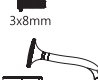
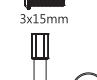
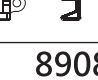
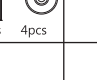

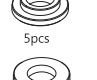
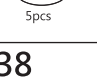
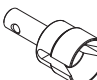

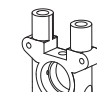
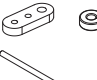






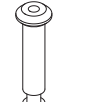




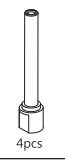
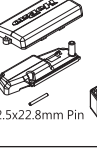
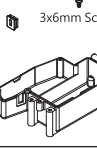

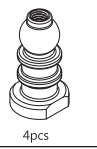




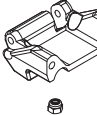
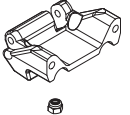
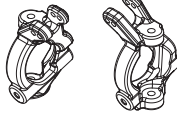


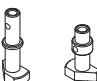

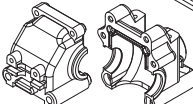
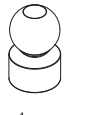
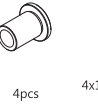
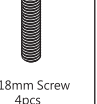
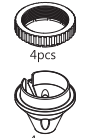
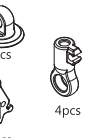

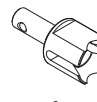

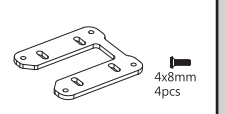


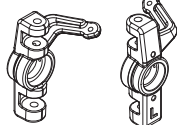
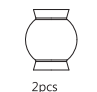

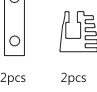
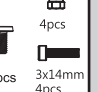
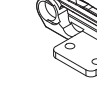

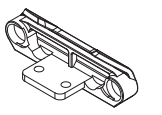
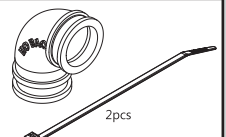

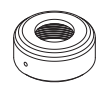

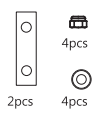


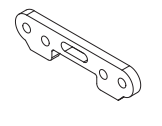
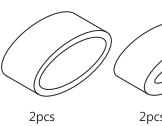
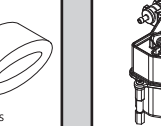
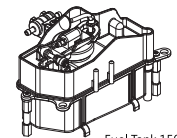

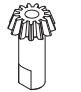
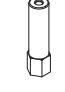

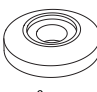



EP

-  31312
3x12mm x6
F/H Screw



HYPERVT

NITRO STANDARD PARTS LIST

87001  3x10mm 4pcs	87037  2pcs	87088  4pcs	88026  2pcs	89037  2pcs	90035  2.5x11.8mm Pin 2pcs 2pcs
87002  2pcs  6.1x13.9x0.15Washer 2pcs  2pcs  4.1x8x0.1Washer 4pcs	87044S  10pcs	87091  2pcs  3x3mm Set Screw 4pcs  4pcs	88029  2pcs  4pcs	89070  3x8mm  3x15mm  2pcs  4pcs	90036  4x2mm O-ring 10pcs  5pcs  5pcs
87003  2pcs  2.5x13.8mm Pin 2pcs	87048  2pcs	87092  2pcs  3x3mm Set Screw 4pcs  2pcs  2pcs	88030  4pcs  4pcs	89085  2pcs	90038  4pcs  3x8mm Set Screw 4pcs
87004  5.8x1.9x2mm O-ring  22x0.9x1mm O-ring  4x4mm Set Screw	87050  4pcs	87603  2.5x22.8mm Pin  3x6mm Screw	88031  4pcs	89107  4pcs	90047  4pcs
87005-1  6.1x13.9x0.3 Washer 2pcs	87051-1  4pcs	87604  M3 Nut  3x50mm Screw	88034  4pcs	90004  4pcs	90048  4pcs
87005-2  6.1x13.9x0.15 Washer 2pcs	87054  3x3mm Set Screw 2pcs  2pcs	88001  4pcs	88039  4pcs	90005  4pcs  4x18mm Screw 4pcs	90049  4pcs  4pcs  4pcs
87006  2pcs  2.5x13.8mm Pin 2pcs	87077  4x8mm 4pcs	88002  4x47mm Screw 4pcs	88048  2pcs	90006  4pcs	90050  2pcs
87021  5x4mm Set Screw 2pcs	87079  2pcs  2pcs  5pcs  3x14mm 4pcs	88003-1  4pcs	88064-1  2pcs	90010  3.4x97 Dogbone 2pcs	90052  4pcs
87027-1  2.5x16.8mm Pin 4pcs	87079-1  2pcs  4pcs  3x14mm 4pcs	88004  2pcs	88093  2pcs  2pcs	90024  Fuel Tank 150CC	90053  4pcs
87028  4x73mm Pin 4pcs	87086  3pcs	88013  4x73mm Pin 4pcs	88115  6pcs	90028  3x50mm 2pcs	90066  2pcs  2pcs

90070 	85005-1 	85021 	85036 	85047 	86224
90071 	85007 	85022 	85037 	85048 	86228
90077 	85008 	85023 	85038 	85049 	86229
90079 	85010 	85024 	85039 	85050 	84052
90082 	85011 	85026 	85040 	85051 	84053
90092 	85012 	85027 	85041 	85052BU/DG 	84057
85001 	85013 	85029 	85042 	86039 	84062-1
85002 	85014 	85034 	85043 	86040 	84076
85003 	85017 	85034-1 	85044 	86222 	84077
85004 	85018 	85035 	85045 	86223 	84078

84112 	39008 	OP-0002 	OP-0108 	87077C
84187C 	3SW3NI 	OP-0004 	OP-0110 	89635
84187W 	22115 	OP-0009 	OP-0111 	89069
BT-501 	22148 	OP-0014 	OP-0115 	94018
30003 	224044 	OP-0040 	OP-0116 	
30004 	94071 	OP-0042 	OP-0117 	
36001 	OP-0041 	OP-0043 	OP-0118 	
36101 		OP-0105 	OP-0122 	
36102 		OP-0106 	OP-0130 	
39004 		OP-0107 	86121 	

87001 3x10mm 4pcs 1pcs	87048 2pcs	87050 4pcs	88039 4pcs	88115 6pcs	90036 4x2mm O-ring 10pcs 5pcs 5pcs	90070 4pcs	85011 4x43.5mm Pin 2pcs	85012 M4x43mm TurnBuckle 2pcs
87002 2pcs 2pcs 4pcs	87338 48T 2pcs 4pcs		89037 4pcs	90038 4pcs	90048 4pcs	90071 M2.5Nut 2pcs 3.1x7x0.25Washer 2pcs	85013 2pcs	85014 M5x33mm Turn Buckle 2pcs M5x50mm Turn Buckle 2pcs
87003 2pcs	87604 2pcs		89107 4pcs	90047 4pcs	90048 4pcs	90077 4pcs	85018 4pcs	
87004 4x4mm Set Screw	88001 4pcs		89312 2pcs	89326 16T 4pcs 4pcs 4pcs	90049 4pcs 4pcs 4pcs	90079 2pcs	90082 2pcs	85021 M3x43mm Turn Buckle 2pcs 1pcs
87005-1 6.1x13.9x0.3 Washer 2pcs	87005-2 6.1x13.9x0.15 Washer 2pcs	88002 4x47mm Screw 4pcs	88003-1 4pcs	90004 2pcs	90050 2pcs	85001 Front 2pcs	85022 2pcs 2pcs	
87006 2pcs	88004 2pcs		90005 4pcs	90052 4pcs	90053 4pcs	85002 Rear 2pcs	85023 2pcs 2pcs 2pcs	
87021 2pcs	88013 4x73mm Pin 4pcs	88026 4pcs	90006 4pcs	90057 CNC 4pcs		85003 2pcs	85024 2pcs 2pcs 2pcs	
87027-1 2.5x16.8mm Pin 4pcs	87028 1pcs	88029 4pcs	90010 3.4x97 Dogbone 2pcs	90059 4pcs		85004 4pcs	85025 3.4x100.9 Dogbone 4x107 Dogbone	
87037 2pcs	88030 4pcs	88031 4pcs	90028 3x50mm 2pcs	90060 4pcs		85005-1 4pcs	85026 2pcs 2pcs 2pcs 2pcs	
87044S 3x10mm	88034 M3 Nut 3x50mm Screw		90035 2.5x11.8mm Pin 2pcs 2pcs	90066 2pcs 2pcs		85010 2pcs	85029 3x3mm Set Screw 2pcs 4pcs	

85034 2pcs	85051 4pcs		85034-1 4pcs	85052BU/RG Printed Body	
85035 4pcs	84062-1 10PCS	84076 8x16x5mm 4pcs	85036 2pcs	84077 5x10x4mm 4pcs	84078 6x10x3mm 4pcs
85043 4pcs	86039 4pcs		85044 2pcs	BT-501 2pcs	
85046 12x18x4mm	22115 12x18x4mm		85048 2pcs	30003 2pcs	30004 2pcs
85049 4pcs	36001 Graphite 2.5x13.8mm Pin 4pcs	36101 5.8x1.9mm O-ring 10pcs	85050 22x0.9mm O-ring 5pcs	36102 Graphite 22x0.9mm O-ring 5pcs	39008 Nylon Nut M3 10pcs

OP-002 CNC ALUM	OP-0107 Graphite	89311 14T	89322 2000KV MOTOR
OP-0004 4pcs	OP-0108 Graphite	89325 15T	89340WP 100A ESC. 2000KV MOTOR
OP-0007 47T	OP-0110 2.3mm 2.8mm 3.0mm	89327 13T	89341WP 100A ESC.
OP-0009 2pcs	OP-0111 2.3mm 2.5mm 3.0mm	89328 17T	89420WP 150A ESC. 2000KV MOTOR
OP-0014 2pcs	OP-0115 CNC ALUM RF	89329 18T	89421WP 150A ESC.
OP-0036 19T	OP-0116 CNC ALUM RR 0.25°	89635 CNC ALUM F	
OP-0037 20T	OP-0117 CNC ALUM RR 0.5°		
OP-0038 21T	OP-0118 CNC ALUM RR 0.75°		
OP-0039 22T	OP-0122 STAINLESS		
OP-0105 Graphite	OP-0130 Clear body		



NITRO PARTS LIST

STANDARD PARTS			
87001	CROWN GEAR 43T	90010	REAR AXLE
87002	BEVEL GEAR SET	90024	FUEL TANK 150CC
87003	DIFFERENTIAL OUTDRIVE CUP	90028	SCREW 3x50MM
87004	DIFFERENTIAL CASE	90035	CVA SHAFT
87005-1	SPACER 6.1x13.9x0.3MM	90036	SHOCK ABSORBER REPAIR SET
87005-2	SPACER 6.1x13.9x0.15MM	90038	HINGE PIN
87006	CENTER DIFFERENTIAL OUTDRIVE CUP	90047	SHOCK PISTON
87021	OUTDRIVE CUP	90048	SHOCK BLADDER
87027-1	PIN 2.5x16.8MM	90049	SHOCK NYLON SET
87028	DIFFERENTIAL PINION GEAR 13T	90050	BALL FLANGED 6.8MM
87037	AXLE CUP	90052	SHOCK CAP TOP
87044S	ALUM COLLAR 3x10mm	90053	SHOCK CAP BOTTOM
87048	CENTER DIFFERENTIAL MOUNT	90066	REAR SPOILER
87050	CENTER DIFFERENTIAL MOUNT POST	90070	VT/GT WHEEL
87051-1	BRAKE CAM SPACER	90071	FRONT SHOCK SHAFT
87054	BRAKE CAM SET	90077	FRONT SHOCK SPRING
87077	ENGINE MOUNT PLATE	90079	FRONT SHOCK BODY
87079	ENGINE MOUNT	90082	FRONT/REAR SHOCK ABSORBER SET
87079-1	ENGINE MOUNT SPACER & SCREW SET	90092	2-SPEED OUTDRIVE CUP
87086	RADIO TRAY POST	85001	FRONT LOWER ARM SET
87088	SERVO MOUNTING HOLDER	85002	REAR LOWER ARM SET
87091	THROTTLE LINKAGE SET	85003	FRONT UPPER ARM SET
87092	BRAKE LINKAGE SET	85004	FRONT/REAR CHASSIS BRACES SET
87603	BATTERY BOX	85005-1	VT REAR LOWER ARM HOLDER FOR RF
87604	SERVO HORN	85007	EXTRA BATTERY COMPARTMENT FOR LIPO
88001	GEAR BOX	85008	AIR FILTER HOLDER
88002	HEX SCREW 4x47MM	85010	SERVO SAVER SET
88003-1	REAR BUMPER	85011	PIN 4x43.5MM
88004	FRONT LOWER ARMS HOLDER	85012	M4x43MM TURNBUCKLE
88013	ARM SHAFT 4x73MM	85013	M5x33MM TURNBUCKLE
88026	REAR LOWER SUSPENSION ARMS HOLDER	85014	M5x50MM TURNBUCKLE
88029	REAR HUB SET	85017	RADIO TRAY
88030	REAR UPPER ARM PLASTIC ROD END	85018	CENTER DIFFERENTIAL TOP PLATE
88031	SUSPENSION BALL 7.8MM	85021	SERVO LINKAGE SET FOR STEERING
88034	REAR WING MOUNT	85022	STEERING KNUCKLE ARM
88039	STABILIZER BALL	85023	FRONT SWAY BAR
88048	BRAKE DISC	85024	REAR SWAY BAR
88064-1	INTAKE TUBE	85026	ADJUSTABLE ARM INSERT
88093	AIR FILTER FOAM	85027	MUFFLER MOUNT SET
88115	ALUM COLLAR FOR SHOCK TOWER	85029	ARM SPACER
89037	SERVO SAVER ARM	85034	WHEEL HUB SET 1.0MM
89070	FUEL TANK POST & MOUNT	85034-1	WHEEL HEX NUT, 4 PCS
89085	PERFORMANCE BRAKE PAD	85035	VT FRONT BUMPER FOAM
89107	SHOCK BALL STUD 6.8MM	85036	VT FRONT BUMPER SET WITH BODY POST
90004	L/R C-HUB SET	85037	VT 2-SPEED GEAR HOUSING - 1st FOR GP
90005	C-HUB BUSHING	85038	VT 2-SPEED GEAR HOUSING - 2nd FOR GP
90006	STEERING KNUCKLE SET	85039	VT 2-SPEED CLUTCH SET FOR GP



NITRO PARTS LIST

SCREW		OPTIONAL PARTS	
31306	M3x6 FLAT HEAD SCREW	OP-0002	CNC STEERING KNUCKLE SET
31310	M3x10 FLAT HEAD SCREW	OP-0004	LIGHT WEIGHT DIFFERENTIAL OUTDRIVE CUP
31317	M3x17 FLAT HEAD SCREW	OP-0009	REAR UNIVERSAL DRIVE SHAFT
31318	M3x18 FLAT HEAD SCREW	OP-0014	LIGHT WEIGHT CENTER DIFFERENTIAL OUTDRIVE CUP
31320	M3x20 FLAT HEAD SCREW	OP-0040	2-SPEED GEAR 17T/21T FOR GP
31408	M4x8 FLAT HEAD SCREW	OP-0042	2-SPEED GEAR 19T/23T FOR GP
31410	M4x10 FLAT HEAD SCREW	OP-0043	2-SPEED GEAR 20T/24T FOR GP
31416	M4x16 FLAT HEAD SCREW	OP-0105	VS GRAPHITE FRONT LOWER ARM STIFFENER - 2MM
32212	M2.6x12 CAP HEAD SCREW	OP-0106	VS GRAPHITE RADIO TRAY FOR GP - 2.5MM
32308	M3x8 CAP HEAD SCREW	OP-0107	VS GRAPHITE CENTER DIFFERENTIAL TOP PLATE - 2.5MM
32310	M3x10 CAP HEAD SCREW	OP-0108	VS GRAPHITE REAR LOWER ARM STIFFENER - 2MM
32314	M3x14 CAP HEAD SCREW	OP-0110	VS FRONT SWAY BARS SET- 2.3MM, 2.8MM & 3MM
32320	M3x20 CAP HEAD SCREW	OP-0111	VS REAR SWAY BARS SET - 2.3MM, 2.5MM & 3MM
32325	M3x25 CAP HEAD SCREW	OP-0115	VS CNC ALUM REAR LOWER ARM HOLDER - RF.
33208	M2x8 PAN HEAD SCREW	OP-0116	VS CNC ALUM REAR LOWER ARM HOLDER 0.25 DEG. - RR.
33210	M2x10 PAN HEAD SCREW	OP-0117	VS CNC ALUM REAR LOWER ARM HOLDER 0.5 DEG. - RR.
33306	M3x6 BUTTON HEAD SCREW	OP-0118	VS CNC ALUM REAR LOWER ARM HOLDER 0.75 DEG. - RR.
33308	M3x8 BUTTON HEAD SCREW	OP-0122	VS STAINLESS SKID PLATE
33310	M3x10 BUTTON HEAD SCREW	OP-0130	VT CLEAR BODY
33310T	M3x10 BUTTON HEAD TAP SCREW	86121	CNC CLUTCH SHOES
33312	M3x12 BUTTON HEAD SCREW	87077C	CNC LIGHT WEIGHT ENGINE MOUNT PLATE
33312T	M3x12 BUTTON HEAD TAP SCREW	89635	CNC ALUM FUTABA SERVO HORN
33315	M3x15 BUTTON HEAD SCREW	89069	FUEL TANK 125CC
33318	M3x18 BUTTON HEAD SCREW	94018	WHEEL HEX HUB & ANTI-LOOSE-NUT
33325	M3x25 BUTTON HEAD SCREW		
33412	M4x12 BUTTON HEAD SCREW		
33418	M4x18 BUTTON HEAD SCREW		
34316	M3x16 HEX SCREW		
38303	M3x3 SET SCREW		
38304	M3x4 SET SCREW		
38308	M3x8 SET SCREW		
38404	M4x4 SET SCREW		
38408	M4x8 SET SCREW		
38504	M5x4 SET SCREW		
38505	M5x5 SET SCREW		



ELECTRIC PARTS LIST

STANDARD PARTS			
87001	CROWN GEAR 43T	90057	CNC ALUM MOTOR MOUNT
87002	BEVEL GEAR SET	90059	RECEIVER BOX & SERVO MOUNT
87003	DIFFERENTIAL OUTDRIVE CUP	90060	BATTERY TRAY
87004	DIFFERENTIAL CASE	90066	REAR SPOILER
87005-1	SPACER 6.1x13.9x0.3MM	90070	VT/GT WHEEL
87005-2	SPACER 6.1x13.9x0.15MM	90071	FRONT SHOCK SHAFT
87006	CENTER DIFFERENTIAL OUTDRIVE CUP	90077	FRONT SHOCK SPRING
87021	OUTDRIVE CUP	90079	FRONT SHOCK BODY
87027-1	PIN 2.5x16.8MM	90082	FRONT/REAR SHOCK ABSORBER SET
87028	DIFFERENTIAL PINION GEAR 13T	85001	FRONT LOWER ARM SET
87037	AXLE CUP	85002	REAR LOWER ARM SET
87044S	ALUM COLLAR 3x10MM	85003	FRONT UPPER ARM SET
87048	CENTER DIFFERENTIAL MOUNT	85004	FRONT/REAR CHASSIS BRACES SET
87050	CENTER DIFFERENTIAL MOUNT POST	85005-1	VT REAR LOWER ARM HOLDER FOR RF
87338	CENTER SPUR GEAR 48T	85010	SERVO SAVER SET
87604	SERVO HORN	85011	PIN 4x43.5MM
88001	GEAR BOX	85012	M4x43MM TURNBUCKLE
88002	HEX SCREW 4x47MM	85013	M5x33MM TURNBUCKLE
88003-1	REAR BUMPER	85014	M5x50MM TURNBUCKLE
88004	FRONT LOWER ARMS HOLDER	85018	CENTER DIFFERENTIAL TOP PLATE
88013	ARM SHAFT 4x73MM	85020	BODY POST
88026	REAR LOWER SUSPENSION ARMS HOLDER	85021	SERVO LINKAGE SET FOR STEERING
88029	REAR HUB SET	85022	STEERING KNUCKLE ARM
88030	REAR UPPER ARM PLASTIC ROD END	85023	FRONT SWAY BAR
88031	SUSPENSION BALL 7.8MM	85024	REAR SWAY BAR
88034	REAR WING MOUNT	85025	FRONT/REAR CENTER DRIVE SHAFT SET
88039	STABILIZER BALL	85026	ADJUSTABLE ARM INSERT
88115	ALUM COLLAR FOR SHOCK TOWER	85029	ARM SPACER
89037	SERVO SAVER ARM	85034	WHEEL HUB SET 1.0MM
89107	SHOCK BALL STUD 6.8MM	85034-1	WHEEL HEX NUT, 4 PCS
89312	MAGIC STRIP	85035	VT FRONT BUMPER FOAM
89326	1/8 MOTOR GEAR - 16T	85036	VT FRONT BUMPER SET WITH BODY POST
90004	L/R C-HUB SET	85043	VT CNC ALUM FRONT TOP PLATE
90005	C-HUB BUSHING	85044	VT CNC ALUM FRONT LOWER ARM HOLDER FOR FR
90006	STEERING KNUCKLE SET	85046	VT ALUM CHASSIS FOR EP
90010	REAR AXLE	85048	VT REAR BODY POST
90028	SCREW 3x50MM	85049	VT CNC ALUM FRONT SHOCK TOWER
90035	CVA SHAFT	85050	VT CNC ALUM REAR SHOCK TOWER
90036	SHOCK ABSORBER REPAIR SET	85051	SHOCK BOOTS, 4 PCS
90038	HINGE PIN	85052BU	VT PRINTED BODY - BLUE
90047	SHOCK PISTON	85052DG	VT PRINTED BODY - GRAY
90048	SHOCK BLADDER	84062-1	BODY FOAM SPACER
90049	SHOCK NYLON SET	84076	BEARING 8x16x5MM
90050	BALL FLANGED 6.8MM	84077	BEARING 5x10x4MM
90052	SHOCK CAP TOP	84078	BEARING 6x10x3MM
90053	SHOCK CAP BOTTOM	86039	FLANGED BALL 5.8MM



ELECTRIC PARTS LIST

SCREW		OPTIONAL PARTS	
31310	M3x10 FLAT HEAD SCREW	OP-002	CNC STEERING KNUCKLE SET
31312	M3x12 FLAT HEAD SCREW	OP-004	LIGHT WEIGHT DIFFERENTIAL OUTDRIVE CUP
31318	M3x18 FLAT HEAD SCREW	OP-007	CENTER SPUR GEAR 47T
31320	M3x20 FLAT HEAD SCREW	OP-009	REAR UNIVERSAL DRIVE SHAFT
31410	M4x10 FLAT HEAD SCREW	OP-014	LIGHT WEIGHT CENTER DIFFERENTIAL OUTDRIVE CUP
31416	M4x16 FLAT HEAD SCREW	OP-036	1/8 MOTOR GEAR - 19T
32212	M2.6x12 CAP HEAD SCREW	OP-037	1/8 MOTOR GEAR - 20T
32310	M3x10 CAP HEAD SCREW	OP-038	1/8 MOTOR GEAR - 21T
32312	M3x12 CAP HEAD SCREW	OP-039	1/8 MOTOR GEAR - 22T
32320	M3x20 CAP HEAD SCREW	OP-0105	VS GRAPHITE FRONT LOWER ARM STIFFENER - 2MM
32325	M3x25 CAP HEAD SCREW	OP-0107	VS GRAPHITE CENTER DIFFERENTIAL TOP PLATE - 2.5MM
33308	M3x8 BUTTON HEAD SCREW	OP-0108	VS GRAPHITE REAR LOWER ARM STIFFENER - 2MM
33310	M3x10 BUTTON HEAD SCREW	OP-0110	VS FRONT SWAY BARS SET- 2.3MM, 2.8MM & 3MM
33312	M3x12 BUTTON HEAD SCREW	OP-0111	VS REAR SWAY BARS SET - 2.3MM, 2.5MM & 3MM
33315	M3x15 BUTTON HEAD SCREW	OP-0115	VS CNC ALUM REAR LOWER ARM HOLDER - RF.
33318	M3x18 BUTTON HEAD SCREW	OP-0116	VS CNC ALUM REAR LOWER ARM HOLDER 0.25 DEG. - RR.
33325	M3x25 BUTTON HEAD SCREW	OP-0117	VS CNC ALUM REAR LOWER ARM HOLDER 0.5 DEG. - RR.
33338	M3x38 BUTTON HEAD SCREW	OP-0118	VS CNC ALUM REAR LOWER ARM HOLDER 0.75 DEG. - RR.
33412	M4x12 BUTTON HEAD SCREW	OP-0122	VS STAINLESS SKID PLATE
33418	M4x18 BUTTON HEAD SCREW	OP-0130	VT CLEAR BODY
38303	M3x3 SET SCREW		
38304	M3x4 SET SCREW		
38308	M3x8 SET SCREW		
38404	M4x4 SET SCREW		
38408	M4x8 SET SCREW		
38504	M5x4 SET SCREW		