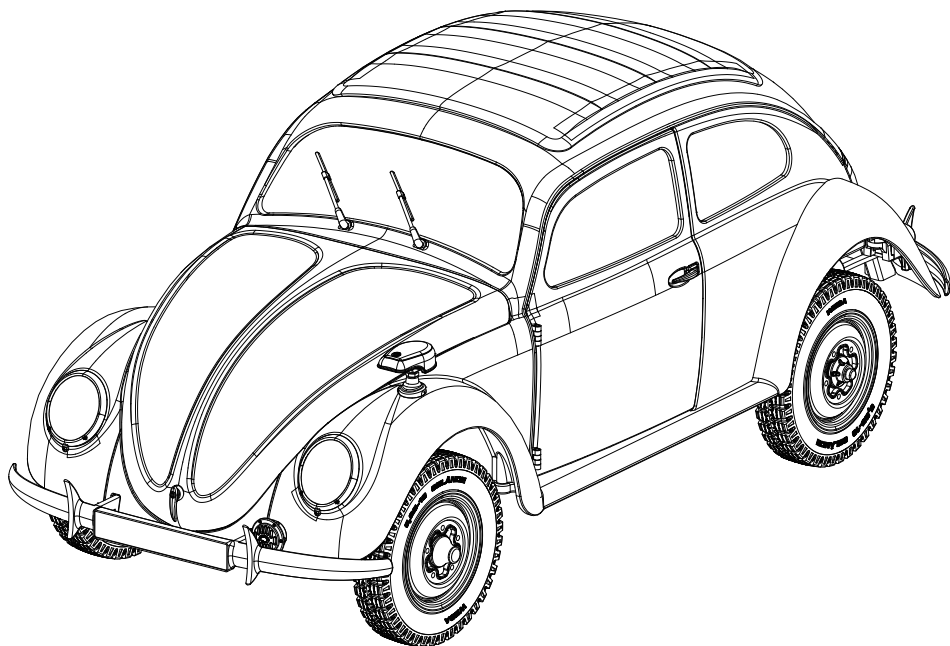


RO HOBBY

1:12 TYPE 82E/87 KOMMANDEURWAGEN



Instruction Manual
Bedienungsanleitung
Manuel d'utilisation
操作手册

SPECIFICATION

Length: 339mm
Width: 139mm

Height: 139mm
Wheel base: 202mm

Ground clearance: 28mm
Approach angle: 31°

Departure angle: 26°

TABLE OF CONTENTS

SAFETY PRECAUTIONS	03
RADIO SYSTEM	05
PRODUCT INTRODUCTION	06
THROTTLE STICK POSITION	15
VEHICLE SETUP	16
OPERATING THE VEHICLE	16
FRONT GUIDE	65
TIRE SET	65
REAR-AXLE SET	66
LEFT DOOR	67
RIGHT DOOR	67
TRANSMISSION	68
CAR BODY ASSEMBLY	70
CAR SHELL	72
CHASSIS	74
COMPLETE VEHICLE SET	76
GENERAL LIST OF ACCESSORIES	77

SAFETY PRECAUTIONS

Introduction

This manual is written to assist you in properly operating, maintaining and repairing the vehicle. As many of the components used are unique to this truck, please retain this manual as a future reference.

Composed of precision-made components, the Rochobby 1:12 Type82e/87 Kommandeurwagen is not a toy, thus it is not suited for children under 14 years of age. Minors should be accompanied by an adult when operating. Failure to operate or maintain this vehicle in a safe manner can result in bodily harm. It is the owner responsibility to operate this product in a safe manner. Rochobby and its distributors are not responsible in any way for any and all bodily harm and/ or property damage that may result from the use of this product. Replace damaged components with original factory-parts. Pay special attention to the polarity of all vehicle wiring.

Safety, precautions and warnings

- Replace damaged components with original factory-parts. Pay special attention to the polarity of all vehicle wiring.
- Use common sense when selecting the environment to operate your vehicle. Do not operate near power cables, cellular/radio towers, deep water or unstable terrain. The operator is solely responsible for their actions.
- The product is composed of precision electrical components. It is critical to keep the product away from moisture and other contaminants.
- Always check the radio range of the vehicle prior to operation in order to prevent radio loss or interference.
- Operate this product within your ability. If the vehicle is dangerous to retrieve, it never worth the risk.
- Always turn on the transmitter before connecting the battery on the model. When turning off the model, always disconnect the battery first, and then turn off the model, always disconnect the battery first, and then turn off the transmitter. If this order is reversed, the model may become uncontrollable and cause serious damage.
- Never allow transmitter batteries to run low as it may cause loss of vehicle control.
- Plastics on the vehicle are susceptible to damage or deformation due to extreme heat and cold climate. Do not store the model near any source of heat such as oven or heater. Store the model indoors, in a climate-controlled, room temperature environment.

CE compliance information for the european union

The associated regulatory agencies of the following countries recognize the noted certifications for this product as authorized for sale and use.

UK	DE	DK	BG	SE	GZ	ES	NL	SK	HU	RO	FR	PT	BE
FI	EE	LV	LT	PL	AT	CY	SI	GR	MT	IT	IE	LU	

Declaration of Conformity
Products: 2.4GHz Controller
Equipment Class: 2

The objects of declaration described above are in conformity with the requirements of the specifications listed below.

Item Name : 2.4GHz Controller
The RED Directive 2014/53/EU
EN 60950-1:2006 + A11:2009 + A1:2010
+ A12:2011 + A2:2013
EN 300 328 V2.2.2 (2019-07)
EN 301 489-1 V2.1.1:2017
EN 301 489-17 V3.1.1:2017

Please read this manual carefully prior to using. We are not responsible for any intentional damage or improper use. If you require any additional information or have any questions about the product or its use, please contact us via.

This product is not a toy! (14+) Recommended for ages 14 and up. Adult supervision required for ages under 14 years old. Contains small parts, keep out of reach of children 3 years of age and younger.



MADE IN CHINA

Certification

FCC Compliance Statement

This device complies with Part 15 of the FCC Rules. Operation is subject to the following two conditions: (1) this device may not cause harmful interference, and (2) this device must accept any interference received, including interference that may cause undesired operation.

Warning: changes or modifications not expressly approved by the party responsible for compliance could void the user's authority to operate the equipment.

This equipment has been tested and found to comply with the limits for a Class B digital device, pursuant to Part 15 of the FCC Rules. These limits are designed to provide reasonable protection against harmful interference in a residential installation. This equipment generates, uses and can radiate radio frequency energy and, if not installed and used in accordance with the instructions, may cause harmful interference to radio communications. However, there is no guarantee that interference will not occur in a particular installation.

If this equipment does cause harmful interference to radio or television reception, which can be determined by turning the equipment off and on, the user is encouraged to try to correct the interference by one or more of the following measures:

1. Reorient or relocate the receiving antenna.
2. Increase the separation between the equipment and receiver.
3. Connect the equipment into an outlet on a circuit different from that to which the receiver is connected.
4. Consult the dealer or an experienced radio/TV technician for help.

RF Exposure Compliance

This equipment complies with FCC radiation exposure limits set forth for an uncontrolled environment. This equipment should be installed and operated with minimum distance 20cm between the radiator and your body. This transmitter must not be co-located or operating in conjunction with any other antenna or transmitter.

Environmentally friendly disposal

Old electrical appliances must not be disposed of together with the residual waste, but have to be disposed of separately. The disposal at the communal collecting point via private persons is for free. The owner of old appliances is responsible to bring the appliances to these collecting points or to similar collection points. With this little personal effort, you contribute to recycle valuable raw materials and the treatment of toxic substances.






FCC ID: N4ZR4A10

RADIO SYSTEM

Safety symbols

Pay close attention to the following symbols and their meanings. Failure to follow these warnings could cause damage, injury or death.

 Attention	Not following these instructions may lead to minor injuries.
 Warning	Not following these instructions may lead to major injuries.
 Danger	Not following these instructions may lead to serious injuries or death.

Safety guide



Prohibited



Mandatory



- Do not use the product at night or in bad weather like rain or thunderstorm. It can cause erratic operation or loss of control.

- Do not use the product when visibility is limited.

- Do not use the product on rain or snow days. Any exposure to moisture (water or snow) may cause erratic operation or loss of control.

- Interference may cause loss of control. To ensure the safety of you and others, do not operate in the following places:

1. Near any site where other radio control activity may occur
2. Near power lines or communication broadcasting antennas
3. Near people or roads
4. On any body of water when passenger boats are present

- Do not use this product when you are tired, uncomfortable, or under the influence of alcohol or drugs. Doing so may cause serious injury to yourself or others.

- The 2.4GHz radio band is limited to line of sight. Always keep your model in sight as a large object can block the RF signal and lead to loss of control.

- Do not touch any part of the model that may generate heat during operation, or immediately after use. The engine, motor or speed control, may be very hot and can cause serious burns.



- Misuse of this product may lead to serious injury or death. To ensure the safety of you and your equipment, read this manual and follow the instructions.

- Make sure the product is properly installed in your model. Failure to do so may result in serious injury.

- Make sure to disconnect the receiver battery before turning off the transmitter. Failure to do so may lead to unintended operation and cause an accident.

- Ensure that all motors operate in the correct direction. If not, adjust the direction first.

- Make sure the model stays within the systems maximum range to prevent loss of control.

PRODUCT INTRODUCTION

Background

Dr. Ferdinand Porsche, the founder of the Porsche Car company, was a genius designer whose design ideas have influenced many today. He has designed the Beetle, the Elephant heavy tank destroyer, the Type82 Kubelwagen, the Type166 Schwimmwagen and Lohner-Porsche Mixed Hybrid, the world's first car powered by hub-mounted motors in the wheel.

While Ferdinand Porsche was designing, Adolf Hitler was waging war across Europe and plunging the World into chaos.

The fates of these two Austrians were intertwined in the 1930s, when Hitler made two promises to the German people after his election as head of the Third Reich: one was to have steak on dinner; the other was to have a car for every German family. The car had a very specific requirement, being able to carry 2 adults and 3 children at the same time, i.e. a standard German family, and travel at a speed of up to 100km/h, while selling for no more than 1000 Reichsmark. Then Germany built a network of dams and highways, constructed the KdF Motor City in Wolfsburg, Lower Saxony and registered the Gesellschaft zur Vorbereitung des Deutschen Volkswagens mbH, which later developed into the world-renowned Volkswagen headquarters. The national car also got its official name, KdF-Wagen, which later became the famous 'Beetle'. kdf took the German Kraft Durch Freunde literally "Strength Through Joy", which was the name of the vacation organization under the German Labor Front at that time. At the same time, the government adopted a savings plan for the general public to buy ration coupons through this organization to pre-save for cars, which proved to be a scam set up by Hitler to raise funds for the coming war. The subsequent series of policies created a large number of employment opportunities, the economy was booming for a while and Germany was unparalleled. The people had steaks, but not cars. Then war came.

KdF-Wagen, known as the people's car while none were sold to the people, all being requisitioned by the army and converted into military vehicles, the most famous one being the Kübelwagen (Released on Nov.25 , 2021, Product No.11241). We feel honored if you already own it in your RC collection. If not, the Type82E is a great start to realistic scale RC models. The Type82E, primarily offered to senior officers, uses a KdF Wagen body on the exact the same chassis as the Kübelwagen, a rear-mounted, rear-drive chassis with a limited-slip differential. The post-war civilian version was the Beetle, which later became world-famous.

Technically speaking, Kommandeurwagen refers to the car with Beetle body based on the Type86 4WD chassis, specially provided for high officers at the front, model number Type87. Type82E, on the other hand, refers to an officer's car based on the Type82 barrel car 2WD chassis fitted with a Beetle body. The difference in appearance between the two lies in Type87's wider fenders and footrests and larger size off-road tires.

The air-cooled engine features no need for water to cooling, making it ideal for use in hot and cold environments. Hence, it was sent in large numbers to the North African Corps under Ehrewin Rommel, which is also the prototype of our Kommandeurwagen model.

About Model

We start with engine. The Boxer air-cooled engine serves as the core of the car, an engine used in several later generations of classic cars and lasted 65 years in the Beetle, a saga that came to an end when the last Beetle, number 21,529,464, rolled off the production line in Puebla, Mexico, on July 30, 2003. Initially the Type82 used a 985cc engine, later upgraded to 1131cc, then gradually increased displacement, and in the [REDACTED] used a 1488cc engine, doubling the horsepower from the very beginning. The cylinders of the horizontally opposed engine are distributed on both sides, a 130 motor in the right cylinder position, and another 130 motor reserved for the left side, which can output twice as much power when applied to the [REDACTED] or [REDACTED] platform. The engine crankshaft flywheel is connected by a belt to drive the generator and the cooling fan as well. The semi-circular fan fairing is a major feature, in which the airflow is distributed to the cylinders on both sides. All is faithfully restored on the model, meaning you can observe the blades rotating through the fan intake when the motor is running. The Kübelwagen has 4 forward gears and the maximum speed of each gear respectively goes as 1st gear 18.4km/h; 2nd gear 32.4km/h; 3rd gear 54.2km/h; 4th gear 83.6km/h. The corresponding red line of gearshift tips is available on the dashboard. On the model, we designed a 2-speed shift to simulate the speed of the 1st and 3rd gears of the real car. The power crosses over from the top of the rear axle differential and then returns to the rear axle. The model shares the same structure as the real engine, with the benefit of compactness, making it easy to switch between 4WD and RWD modes. This shift function is perfectly reproduced on the model to provide more driving pleasure when driving off-road.

Now let's move to chassis. The popular portal axle in today's climbing car market has been in mass production for barrel cars as much as 82 years ago, from which wheelside reducer reduction ratio of 15:21 has learned a lot, making the barrel car chassis minimum ground clearance of 310mm, dwarfing all modern off-road cars on the market today. On the real car, the front and rear wheel speeds are balanced by increasing the front axle differential gear ratio while on the model we set the door axle reduction ratio to 1:1 for common front and rear axle differentials.

Solid load-bearing chassis with stamped central ridge tube chassis and body bears high torsional resistance. The central drive shaft and electrical wiring are hidden in the ridge tube. The one piece injection model features the texture of metal stamping with plastic as location and size of each reinforcement are restored according to the actual car. The front and rear wheels adopt torsion-bar-sprung independent suspension, allowing long travel capability with little space occupation. We use torsion springs instead of torsion bar springs to present the front and rear suspension, easy to disassemble and change tuning.

With regards to tires, the model adopts the same 5.25 x 16 off-road tires as the barrel car. The simulated wheels need to be fixed with 5 screws like the real car, and the spare tire in the front is readily accessible after opening the hood. Here you can also charge the battery at your convenience with battery properly stored in the actual car fuel tank.

Can the doors be opened? Let's try the door handle. Pull outward- the door can be opened with the built-in spring lock push, when closed you can hear the spring lock crisp "kata" sound. Door

interiors are engraved with simulated fabric texture; Soft rubber seats share the same soft texture of the actual car cushion, perfect for 1 / 12 figures. As ROCHOBBY always does, the model features a servo operated steering wheel and front wheels for perfect synchronized action.

Generally speaking, rear passengers do not have a separate door which reduced the likelihood of a successful escape for rear officers in an emergency. To facilitate escape in the event of an attack and rollover, foldable soft canopy is set in the roof window. In the model, we set up a removable plastic roof carved with a fine weave pattern to simulate the texture of the cloth canopy. When removed, figures can be placed in the rear if you like.

For the electronic system, a 4-channel digital proportional remote control system is applied. In addition to 1&2 channels for steering and throttle control, the 3rd channel controls the gearshift and the 4th channel switching between 4WD and RWD. There is also integrated light control, which allows you to turn on the headlights during normal night driving. Linked turn signals and brake lights are at the rear of the car. Users can only turn on the anti-aircraft lights during the night light restriction.

Then comes to the packaging, which used environmental friendly foam material to simulate the World War II German ammunition tin boxes. The recyclable box can bear long-distance transport easy to store, easy to carry.

More exciting product features and designs will not be introduced here due to the space limit but will appear as Easter eggs. Go and discover them yourself. Finally, thank you for purchasing ROCHOBBY products, any comments and suggestions please send email to rochobby@163.com.

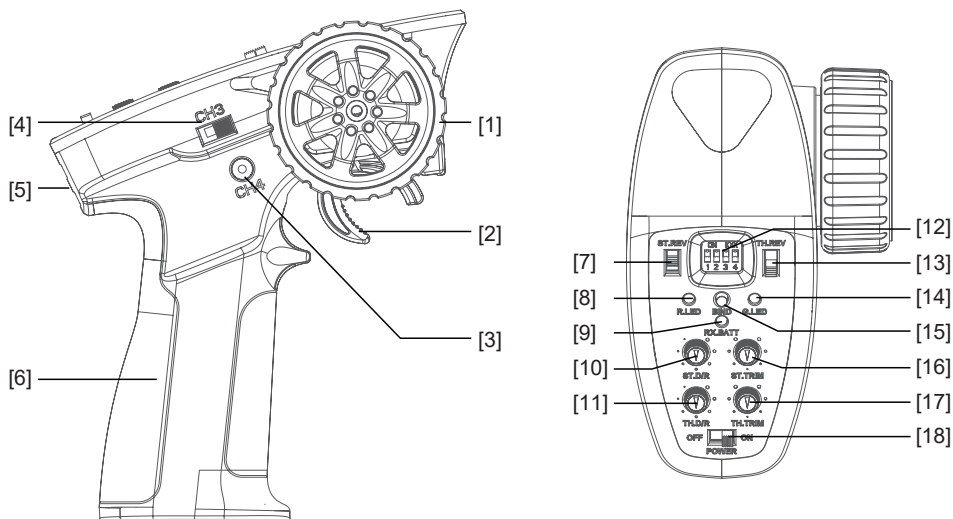
Ty82 Research Team
2021.10.19

Transmitter instruction

Intruction

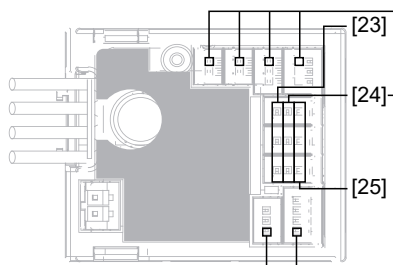
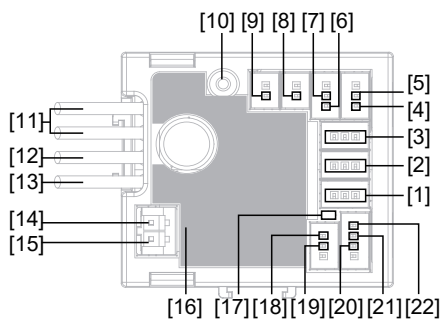
FS-R4A1 based on ANT protocol is a three-in-one receiver with ESC and LED light group control board. It has an external single antenna, can output PWM signal and light control signal, can implement two-way transmission, adopts automatic binding, and has a compact design, which can be adapted to various model cars.

Transmitter Overview



[1]	Traversing handwheel, 35 degrees on each side (CH1)	[10]	ST.D/R
[2]	Throttle button, 25 degrees in front and 12.5 degrees at rear (CH2)	[11]	TH.D/R
[3]	Push button switch (CH4) [Push button function is flip type]	[12]	Switch to the electric adjustment mode
[4]	Three-position toggle switch (CH3)	[13]	TH.REV
[5]	Lanyard hole	[14]	G.LED
[6]	Handle, 4*AAA battery compartment	[15]	BIND
[7]	ST.REV	[16]	ST.TRIM
[8]	R.LED	[17]	TH.TRIM
[9]	RX.BATT	[18]	Power Switch

Overview



- | | |
|---------------------------|----------------------------|
| [1] CH1 | [14] Motor port "+" |
| [2] CH3 | [15] Motor port "-" |
| [3] CH4 | [16] Stickers |
| [4] Left-turn light port | [17] LED |
| [5] Head light port | [18] Left-turn light port |
| [6] Right-turn light port | [19] Right-turn light port |
| [7] Head light port | [20] Reversing light port |
| [8] Fog light port | [21] Brake light port |
| [9] Fog light port | [22] Taillight port |
| [10] Antenna | [23] Signal pin |
| [11] Power switch | [24] Power "+" |
| [12] Battery line "+" | [25] Power "-" |
| [13] Battery line "-" | |

Specifications

- Product Name: FS-R4A1
- Adaptive transmitter: FS-MG41
- Model Type: Car
- Channels: 4
- Numbers of Light Interfaces: 7
- RF: 2.4GHz ISM
- 2.4G Protocol: ANT
- Antenna: Single antenna
- Input Power: Lipo (2S)/NiMH (5~7Cell)
- BEC Output: 6V/1A
- Continuous/Peak Current: 10A/50A
- Data Output: PWM
- Temperature Range: -10℃ —+60℃
- Humidity Limit: 20%~95%
- WaterProof: PPX4
- Online Update: No
- Dimensions: 33mm*30mm*12mm
- Weight: About 11g
- Certification: CE, FCC ID: N4ZR4A10

Binding

The receiver automatically enters the binding state once it is powered on.

Press the **BIND** Key to turn on the transmitter and allow it to enter its binding state. Here, **G.LED** flashes quickly, and operator releases the **BIND** Key.

1. When the receiver is powered on and waits for 1 second, it will automatically enter the binding state if it is not connected;
2. After the binding is successful, the LED indicator of the receiver is always on.

Notes: (1) Set the transmitter to its binding state first, and then set the receiver to its binding state. If the binding is not completed within 10s, the indicator light of the receiver will enter its slow flashing state. (2) If re-binding is successful, all the settings of the car lights will be restored to their default values.

ESC protection

This receiver has multiple prompt functions such as power-on self-check display, overheating alarm prompt, and low/high voltage alarm prompt.

- Self-check display: all car lights will be on for 1S when the receiver is powered on;
- Overheating alarm: When the internal temperature of the ESC is detected to exceed 110 °C, motor has no output, all car lights flash promptly, and the normal output will be restored when the temperature is lower than 70°C;
- Low/high voltage alarm: When the receiver enters the low voltage protection, motor has no output, and all the lights flash slowly; when the receiver enters the high voltage protection, all channels have no output. All car lights flash promptly.

ESC function instructions

1. Connect related equipment:

Make sure the ESC is off before connection. Connect the motor with M+ and M- of ESC. Connect the steering servo to the 3Pin interface marked with "ST" of ESC (- + S connected correspondingly). Connect the battery with the positive and negative poles of ESC correspondingly.

2. Normal boot, identification throttle midpoint:

After connecting related equipment as step 1, turn on the radio first, move the throttle trigger to the neutral position. Turn on the switch of ESC at last. The receiver will automatically recognize the battery type when it is powered on again. Then it can run it.

Notes:

- a. The ESC can be run after completing self-inspection (about 3 seconds) if power on, otherwise it cannot be operated normally.
- b. If there is no power output and the red light of ESC flashes quickly after power on, please check whether the throttle trim of the transmitter is set to the "0" position, the receiver will automatically recognize the midpoint of the trim throttle after restarting;
- c. If the rotation direction is not correct during running, exchange the two wires connecting motor and ESC.
- d. To make sure everything is ok, please turn on the transmitter first and finally turn on the ESC, turn off the ESC first and finally turn off the transmitter.

Notes: Please refer to the relevant sections for details about the battery type, drag brake force and running mode of the ESC.









Failsafe

This function is used to protect the safety of the model and the operator when the receiver cannot normally receive the signal from the transmitter and is out of control. The receiver defaults that the throttle channel is fixed to be out of control and enters the brake state. After other channels are out of control, the receiver has no signal output. If you set it on the transmitter, it will output according to the set value.

Attention:

- Make sure the product is installed and calibrated correctly, failure to do so may result in serious injury.
- Please carefully check each power device and car frame instructions to ensure the power matching is reasonable before use. Avoid damaging power system due to incorrect matching.
- Do not let the external temperature of the system exceed 90°C /194°F , because high temperature will damage the power system.
- Make sure the receiver's battery is disconnected before turning off the transmitter, failure to do so may lead to unintended operation or loss of control.
- After use, remember to disconnect the battery and the ESC. If the battery isn't disconnected, the ESC will consume electric energy all the time even if it is off. It will discharge completely if connect the battery for a long time, thus resulting in the failure of the battery or the ESC. We are not responsible for any damage caused by this!
- Make sure the receiver is mounted away from motors or any device that emits excessive electrical noise.
- Keep the antenna of the receiver at least 1cm away from conductive materials such as carbon or metal.
- Do not power on the receiver during the setup process to prevent loss of control.

ESC Parameter Setting

Running Mode	Battery Type	Drag Brake	
 FWD/REV/BRK	 Lipo	 0%	 75%
 FWD/REV	 NiMH	 50%	 100%

Dial Switch sign

The Dial Switch on the transmitter is used to set ESC parameters, that is, the Dial Switch is located at different positions and the corresponding parameter values are different.

Setting Method:

There are three parameters can be set for the ESC, which are "Running mode", "Battery type", "Drag brake", There are slide switches numbered 1 2 3 4 on the radio panel . The above parameters can be set by dialing down and up.

The specific operation is as follows:

When No. 1 slide switch is on the down, it indicates that the operation mode is set to FWD / REV / BRK.
 When No. 1 slide switch is on the up, it indicates that the operation mode is set to FWD/REV.
 When No. 2 slide switch is on the down, it indicates that the battery type is set to Lipo.
 When No. 2 slide switch is on the up, it indicates that the battery type is set to NiMH.
 When No. 3 and No.4 slide switch are on the down, it indicates that the drag brake force is set to 0%.
 When No. 3 slide switch is on the down and No.4 slide switch is on the up, it indicates that the drag brake force is set to 50%.
 When No. 3 slide switch is on the up and No.4 slide switch is on the down, it indicates that the drag brake force is set to 75%.
 When No. 3 and No.4 slide switch are on the up, it indicates that the drag brake force is set to 100%.

Parameter Explanation:

1. Running Mode

FWD/REV/BRK: This mode adopts "double click" reverse mode, that is, when the throttle trigger is pushed from neutral range to the reverse area for the first time, the motor is only braking and will not reverse; when the throttle trigger is moved back to the neutral range and pushed to the reverse area for the second time, it will reverse. This mode is applicable to general models.

FWD/REV: This mode adopts "one click" reverse mode, that is, when the throttle trigger is pushed from neutral range to the reverse area, the motor immediately generates reverse action, which is generally applied to rock crawler.

Parameter setting method:

When No. 1 slide switch is on the down, it indicates that the operation mode is set to FWD / REV / BRK.

When No. 1 slide switch is on the up, it indicates that the operation mode is set to FWD/REV.

2. Battery Type

There are LiPo and NiMH cells. The low-pressure protection value is different under different types. It can be set according to the actual use.

Parameter setting method:

When No. 2 slide switch is on the down, it indicates that the battery type is set to Lipo.

When No. 2 slide switch is on the up, it indicates that the battery type is set to NiMH.

3. Drag Brake Force

The drag brake means that when the throttle trigger moves from the forward or reverse area to neutral range, it will produce certain braking force to the motor, the larger the value is, the greater the drag brake force is. Select proper braking force according to the actual situation.

Parameter setting method:

When No. 3 and No.4 slide switch are on the down, it indicates that the drag brake force is set to 0%.

When No. 3 slide switch is on the down and No.4 slide switch is on the up, it indicates that the drag brake force is set to 50%.

When No. 3 slide switch is on the up and No.4 slide switch is on the down, it indicates that the drag brake force is set to 75%.

When No. 3 and No.4 slide switch are on the up, it indicates that the drag brake force is set to 100%.








Lighting function

				Times for Pressing						
Button	Light Position	Function	Power on is off by default	I	II	III	IV	V	Control Mod	Remarks
CH4	Headlight	White headlights keep on		OFF	•	OFF	OFF	OFF		
		White headlights keep on with high brightness		OFF	OFF	•	•	OFF		
	Taillights	Taillights keep on		OFF	•	•	•	OFF		
		Taillights turn red with high brightness amid brake operation		○	○	○	○	○	Throttle linkage control	Brake lights are on with high brightness amid brake operation
	Fog lamp	The yellow headlights keep on		OFF	OFF	OFF	•	•		

Getting started

Before operation, install the battery and connect the system as instructed below.

★ Transmitter Battery Installation

	Danger	Only use specified battery (X4 AA batteries).
	Danger	Do not open, disassemble, or attempt to repair the battery.
	Danger	Do not crush/puncture the battery, or short the external contacts.
	Danger	Do not expose to excessive heat or liquids.
	Danger	Do not drop the battery or expose to strong shocks or vibrations.
	Danger	Always store the battery in a cool, dry place.
	Danger	Do not use the battery if damaged.

Battery Type: AAA

Battery Installation:

1. Open the battery compartment cover.
2. Insert 4 fully-charged AAA batteries into the compartment. Make sure that the battery makes good contact with the battery compartment's contacts.
3. Replace battery compartment cover.

Low battery alarm: When the battery is lower than 4.2V, the LED on the panel will flash slowly.

Instructions

After setting up, follow the instructions below to operate the system.

1. Automatic code matching (the transmitter and receiver have been successfully coded before leaving the factory.)

If you need to replace another transmitter or receiver, please follow the following steps to code:

1. When the transmitter power is on and the code matching mode is on, the light keeps flashing;
2. The power supply of the receiving board is turned on, and the front lights keep flashing to enter the code matching mode;
3. When the code matching is successful, all the transmitter lights are on and all the lights on the car are off;

Note: when code matching, please operate the transmitter to enter the code matching state first, and then operate the receiver to enter the code matching state.

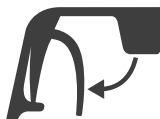
THROTTLE STICK POSITION

Throttle stick position

Neutral point



Top point of forward direction



Top point of backward direction

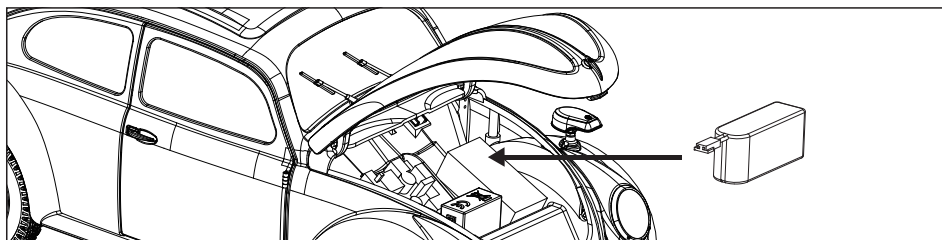


VEHICLE SETUP

Connecting the battery

Step1:open the hood.

Step2:place the battery in the battery box and connect the battery plug.



NOTE

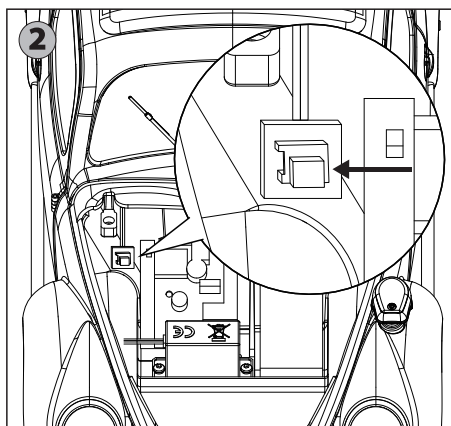
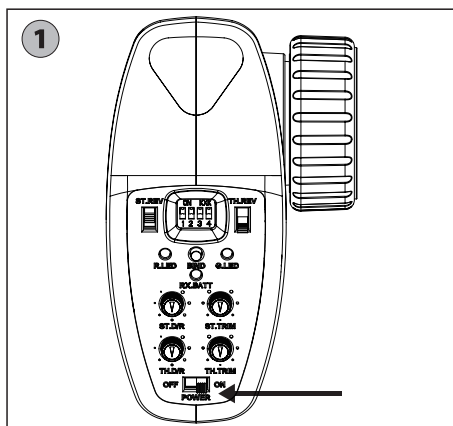
- 1.If it is not in use for a long time, unplug and take off the battery to prevent battery leakage.
- 2.Do not open, disassemble, or attempt to repair the battery.
- 3.After use unplug battery from vehicle.Do not charge battery in vehicle.

OPERATING THE VEHICLE

Step 1: turn on the transmitter, the headlamp of the transmitter will flash and enter the frequency matching mode.

Step 2: turn on the receiver switch, the headlight will flash and enter the frequency matching mode.

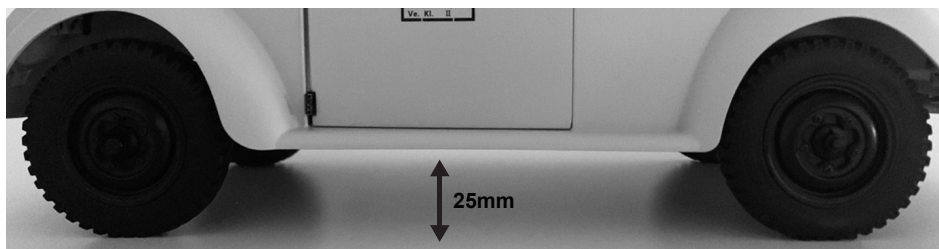
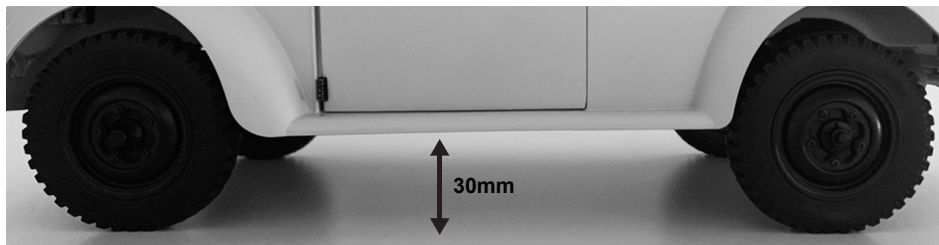
Step 3: when the transmitter and receiver are successful in frequency up, the front lights of the transmitter will be on for a long time, and the front lights of the vehicle will be off.



STANDARD PRECAUTIONS

Type82e/87 Kommandeurwagen uses swing axle independent suspension, namely torsion springs are adopted instead of torsion bars as the elastic element. If torsion springs are too hard when holding up car weight, the cars movement will be extremely bouncy and in this case will not act like the real car. Hence, we selected soft and tight torsion springs to ensure a better driving performance, but also to lead to the front and rear suspension not rebounding at rest, which is normal.

The real car's maximum ground clearance is 310mm (scaling ratio 25.8mm). To meet the performance requirements of RC off-road and considering the extra weight of figures, the maximum ground clearance set in the model is 30mm for no-load and 25mm for full-load, which can present a more simulated driving posture under different load conditions.



DISTRIBUTOR

Sweden:

Minicars Hobby Distribution AB

Annelundsgatan 17C

749 40 Enköping, Sweden

Tel.: +46-171-14 30 02

Australia:

Model Engines Pty Ltd

Unit 1/32 Bluett Drive

Smeaton Grange

NSW 2567 Australia

Tel.: +61(0)411128284

The United Kingdom:

CML Distribution Ltd

Saxon House, Saxon Business Park, Hanbury Road

Bromsgrove, Worcestershire

B60 4AD, England

Tel.: +44 (0)1527 575349

INHALT

SICHERHEITSHINWEISE	19
FUNKSYSTEM	21
PRODUKTVORSTELLUNG	22
GASHEBELPOSITION	31
FAHRZEUG SETUP	32
BEDIENUNG DES FAHRZEUGS	32
VORDERACHSE	65
REIFEN-SET	65
HINTERACHSE	66
LINKE TÜR	67
RECHTE TÜR	67
GETRIEBE	68
KAROSSERIE MONTAGE	70
KAROSSERIE	72
CHASSIS	74
KOMPLETTER FAHRZEUGSATZ	76
ALLGEMEINE ZUBEHÖRLISTE	78

SICHERHEITSHINWEISE

Einleitung

Dieses Handbuch soll Sie bei der ordnungsgemäßen Bedienung, Wartung und Reparatur des Fahrzeugs unterstützen. Da viele der verwendeten Komponenten nur bei diesem Fahrzeug vorhanden sind, bewahren Sie bitte dieses Handbuch für die Zukunft auf.

Der Rochobby Kommandeurswagen im Maßstab 1:12 ist kein Spielzeug und ist daher nicht für Kinder unter 14 Jahren geeignet. Minderjährige sollten von einem Erwachsenen begleitet werden, wenn dieses Modell im Betrieb ist. Wird das Fahrzeug nicht in einer sicheren Art und Weise betrieben oder gewartet, kann dies zu körperlichen Schäden führen. Es liegt in der Verantwortung des Besitzers, dieses Produkt auf sichere Weise zu betreiben. Rochobby und seine Vertriebspartner sind in keiner Weise verantwortlich für Personen- und/oder Sachschäden, die aus der unsachgemäßen Bedienung oder Wartung dieses Fahrzeugs resultieren. Ersetzen Sie beschädigte Bauteile durch Original-Ersatzteile. Achten Sie besonders auf die Polarität der Fahrzeugverkabelung.

Sicherheit, Vorsichtsmaßnahmen und Warnhinweise

- Ersetzen Sie beschädigte Bauteile durch Original-Werkteile. Achten Sie besonders auf die Polarität der gesamten Fahrzeugverkabelung.
- Gehen Sie mit gesundem Menschenverstand vor, wenn Sie die Umgebung für den Betrieb Ihres Fahrzeugs auswählen. Fahren Sie nicht in der Nähe von Stromkabeln, Mobilfunk-/Funktürmen, tiefem Wasser oder instabilem Gelände. Der Bediener ist allein für seine Handlungen verantwortlich.
- Das Produkt besteht aus elektrischen Präzisionsbauteilen. Es ist wichtig, das Produkt von Feuchtigkeit und anderen Verunreinigungen fernzuhalten.
- Prüfen Sie vor dem Betrieb immer die Funkreichweite des Fahrzeugs, um Funkverluste oder Störungen zu vermeiden.
- Betreiben Sie dieses Produkt im Rahmen Ihrer Möglichkeiten. Wenn es gefährlich ist, das Fahrzeug zu bergen, lohnt es sich nicht.
- Schalten Sie immer den Sender ein, bevor Sie den Akku am Modell anschließen. Ziehen Sie zum Ausschalten des Modells immer zuerst den Akku ab und schalten Sie dann den Sender aus. Wenn Sie diese Reihenfolge umkehren, kann das Modell unkontrollierbar werden und schwere Schäden verursachen.
- Lassen Sie niemals zu, dass die Senderbatterien leer werden, da dies zum Verlust der Fahrzeugkontrolle führen kann.
- Kunststoffe am Fahrzeug können durch extreme Hitze und Kälte beschädigt oder verformt werden. Lagern Sie das Modell nicht in der Nähe einer Wärmequelle wie einem Ofen oder einer Heizung. Lagern Sie das Modell in einem klimatisierten Raum bei Raumtemperatur.

CE-Konformitätsinformationen für die Europäische Union

Die zuständigen Aufsichtsbehörden der folgenden Länder erkennen die angegebenen Zertifizierungen für dieses Produkt für den Verkauf und die Verwendung als zugelassen an.

UK	DE	DK	BG	SE	GZ	ES	NL	SK	HU	RO	FR	PT	BE
FI	EE	LV	LT	PL	AT	CY	SI	GR	MT	IT	IE	LU	

Konformitätserklärung

Produkte: 2,4GHz-Steuergerät

Gerätekategorie: 2

Die oben beschriebenen Deklarationsgegenstände sind mit den Anforderungen der unten aufgeführten Spezifikation konform.

Item Name : 2.4GHz Controller

The RED Directive 2014/53/EU

EN 60950-1:2006 + A11:2009 + A1:2010
+ A12:2011 + A2:2013

EN 300 328 V2.2.2 (2019-07)

EN 301 489-1 V2.1.1:2017

EN 301 489-17 V3.1.1:2017

Bitte lesen Sie dieses Handbuch vor dem Gebrauch sorgfältig durch. Wenn Sie zusätzliche Informationen benötigen oder Fragen zum Produkt oder dessen Verwendung haben kontaktieren Sie uns bitte.

Dieses Produkt ist kein Spielzeug! (14+) Empfohlen für Kinder ab 14 Jahren. Beaufsichtigung durch Erwachsene für Kinder unter 14 Jahren erforderlich. Enthält kleine Teile, außerhalb der Reichweite von Kindern aufbewahren die 3 Jahre und jünger sind.



MADE IN CHINA

Zertifizierung

FCC-Konformitätserklärung

Dieses Gerät erfüllt die Anforderungen von Teil 15 der FCC-Vorschriften. Der Betrieb unterliegt den folgenden zwei Bedingungen: (1) Dieses Gerät darf keine schädlichen Störungen verursachen, und (2) dieses Gerät muss alle empfangenen Störungen akzeptieren, einschließlich Störungen, die einen unerwünschten Betrieb verursachen können.

Warnung: Änderungen oder Modifikationen, die nicht ausdrücklich von der für die Einhaltung der Vorschriften verantwortlichen Partei genehmigt wurden, können zum Erlöschen der Berechtigung zum Betrieb des Geräts führen.

Dieses Gerät wurde getestet und entspricht den Grenzwerten für ein digitales Gerät der Klasse B, gemäß Teil 15 der FCC-Bestimmungen. Diese Grenzwerte sind so ausgelegt, dass sie einen angemessenen Schutz gegen schädliche Störeinflüsse, Störungen in einem Wohnbereich bieten. Dieses Gerät erzeugt und verwendet Hochfrequenzenergie und kann diese ausstrahlen. Wenn es nicht in Übereinstimmung mit den Anweisungen installiert und verwendet wird, kann es Störungen des Funkverkehrs verursachen. Es kann jedoch nicht garantiert werden, dass bei einer bestimmten Installation keine Störungen auftreten.

Wenn dieses Gerät Störungen des Radio- oder Fernsehempfangs verursacht, was durch Ein- und Ausschalten des Geräts festgestellt werden kann, sollte der Benutzer dann versuchen, die Störung durch eine oder mehrere der folgenden Maßnahmen zu beheben:

1. die Empfangsantenne neu ausrichten oder an einem anderen Ort aufstellen.
2. Vergrößern Sie den Abstand zwischen dem Gerät und dem Empfänger.
3. Schließen Sie das Gerät an einen anderen Stromkreis an als den, an den der Empfänger angeschlossen ist.
4. Wenden Sie sich an den Händler um Hilfe zu bekommen.

Einhaltung der RF-Belastung

Dieses Gerät entspricht den FCC-Grenzwerten für die Strahlenbelastung, die für eine unkontrollierte Umgebung festgelegt wurden. Dieses Gerät sollte mit einem Mindestabstand von 20 cm zwischen dem Sender und Ihrem Körper installiert und betrieben werden. Dieser Sender darf nicht zusammen mit einer anderen Antenne oder einem anderen Sender aufgestellt oder betrieben werden.

Umweltverträgliche Entsorgung

Elektroaltgeräte dürfen nicht zusammen mit dem Restmüll entsorgt werden, sondern müssen separat entsorgt werden. Die Entsorgung an der kommunalen Sammelstelle durch Privatpersonen ist im Normalfall kostenlos. Der Besitzer von Altgeräten ist dafür verantwortlich, die Geräte zu diesen oder ähnlichen Sammelstellen zu bringen. Mit diesem kleinen persönlichen Aufwand tragen Sie zur Wiederverwertung wertvoller Rohstoffe und fachgerechter Entsorgung von Schadstoffen bei.






FCC ID: N4ZR4A10

FUNKSYSTEM

Sicherheitssymbole

Achten Sie genau auf die folgenden Symbole und ihre Bedeutung. Die Nichtbeachtung dieser Warnhinweise kann zu Schäden, Verletzungen oder Tod führen.

 Achtung	Die Nichtbeachtung dieser Anweisungen kann zu leichten Verletzungen führen.
 Warnung	Die Nichtbeachtung dieser Anweisungen kann zu schweren Verletzungen führen.
 Gefahr	Die Nichtbeachtung dieser Anweisungen kann zu schweren Verletzungen oder zum Tod führen.

Sicherheitshinweis



Unzulässig



Obligatorisch

- Verwenden Sie das Produkt nicht in der Nacht oder bei schlechtem Wetter wie Regen oder Gewitter. Dies kann zu unregelmäßigem Betrieb oder Verlust der Kontrolle führen.

- Verwenden Sie das Produkt nicht, wenn die Sicht eingeschränkt ist.

- Verwenden Sie das Produkt nicht bei Regen oder Schnee. Jeglicher Kontakt mit Feuchtigkeit (Wasser oder Schnee) kann zu fehlerhaftem Betrieb oder zum Verlust der Kontrolle führen.

- Störungen können zum Verlust der Kontrolle führen. Um Ihre Sicherheit und die Sicherheit anderer zu gewährleisten, sollten Sie das Modell nicht an den folgenden Orten betreiben:

- 1: in der Nähe von anderen Fernsteuerungen.

- 2: in der Nähe von Hochspannungsmasten oder Sendemasten.

- 3: in der Nähe von Menschenansammlungen oder Straßen.

- 4: in der Nähe von Gewässern.

- Verwenden Sie dieses Produkt nicht, wenn Sie müde sind, sich unwohl fühlen oder unter dem Einfluss von Alkohol oder Drogen stehen. Dies kann zu schweren Verletzungen bei Ihnen oder anderen führen.

- Das 2,4-GHz-Funkband ist auf die Sichtlinie beschränkt. Halten Sie Ihr Modell immer in Sichtweite, da ein großes Objekt das HF-Signal blockieren und zum Verlust der Kontrolle führen kann.

- Berühren Sie keine Teile des Modells, die während des Betriebs oder unmittelbar nach dem Gebrauch Wärme erzeugen können. Der Motor oder die Drehzahlregelung können sehr heiß sein und schwere Verbrennungen verursachen.

- Die falsche Verwendung dieses Produkts kann zu schweren Verletzungen oder zum Tod führen. Um Ihre Sicherheit und die Ihres Geräts zu gewährleisten, lesen Sie dieses Handbuch und befolgen Sie die Anweisungen...

- Stellen Sie sicher, dass das Produkt ordnungsgemäß in Ihrem Modell installiert ist. Andernfalls kann dies zu schweren Verletzungen führen.

- Stellen Sie sicher, dass Sie den Antriebsakku abklemmen, bevor Sie den Sender ausschalten. Bei Nichtbeachtung kann dies zu unbeabsichtigtem Betrieb führen und einen Unfall verursachen.

- Stellen Sie sicher, dass alle Motoren in die richtige Richtung laufen. Ist dies nicht der Fall, stellen Sie zunächst die Richtung ein.

- Stellen Sie sicher, dass das Modell innerhalb des maximalen Bereichs des Systems bleibt, um einen Kontrollverlust zu vermeiden.

Hintergrund

Dr. Ferdinand Porsche, der Gründer der Firma Porsche, war ein genialer Designer, dessen Designideen bis heute viele beeinflusst haben. Er entwarf den Käfer, den schweren Panzer Elefant, den Typ82 Kübelwagen, den Typ166 Schwimmwagen und den Lohner-Porsche Hybrid. Das erste Auto der Welt, das von Radnabenmotoren angetrieben wurde.

Während Ferdinand Porsche konstruierte, führte Adolf Hitler Krieg in Europa und stürzte die Welt ins Chaos.

Die Schicksale dieser beiden Männer waren in den 1930er Jahren miteinander verwoben, als Hitler dem deutschen Volk nach seiner Wahl zum Führer des Dritten Reiches zwei Versprechen gab; Das eine war, Steak zum Abendessen das andere war, ein Auto für jede deutsche Familie. Das Auto hatte eine ganz bestimmte Anforderung, Es sollte 2 Erwachsene und 3 Kinder gleichzeitig befördern können, d. h. eine deutsche Standardfamilie. Und mit einer Geschwindigkeit von bis zu 100 km/h fahren und dabei nicht mehr als 1000 Reichsmark kosten. Dann baute Deutschland ein Netz von Staudämmen und Autobahnen, baute die KdF-Motorstadt in Wolfsburg Niedersachsen, und ließ die Gesellschaft zur Vorbereitung des Deutschen Volkswagens mbH registrieren. Die sich später zum weltberühmten Volkswagen Stammhaus entwickelte. Auch das nationale Auto erhielt den offiziellen Namen KdF-Wagen, aus dem später der berühmte Käfer wurde. KdF nahm das deutsche "Kraft Durch Freunde", der Name der damaligen Reiseorganisation der Deutschen Arbeiterfront. Zur gleichen Zeit beschloss die Regierung einen Sparplan für die Allgemeinheit, um über diese Organisation Bezugsscheine zu kaufen, mit denen für Autos angespart werden konnte. Was sich als ein von Hitler inszenierter Betrug herausstellte, um Geld für den kommenden Krieg zu beschaffen. Die folgende Reihe von Maßnahmen schuf eine große Anzahl von Arbeitsplätzen, die Wirtschaft boomte eine Zeit lang, und Deutschland war unvergleichlich. Die Menschen hatten Steaks, aber keine Autos.

Der KdF-Wagen, bekannt als "Volksauto", obwohl keiner an das Volk verkauft wurde sondern alle von der Armee beschlagnahmt und zu Militärfahrzeugen umgebaut wurden, war das berühmteste der Kübelwagen. (Freigegeben am Nov25, 2021, Produkt Nr DPROC11241). Wir fühlen uns geehrt, wenn Sie ihn bereits in Ihrer RC Sammlung haben. Wenn nicht, ist der Typ82E ein großartiger Einstieg in realistische RC-Modelle. Der Typ82E, der in erster Linie für höhere Offiziere angeboten wurde, verwendet eine KdF-Wagen-Karosserie auf dem exakt gleichen Fahrgestell wie der Kübelwagen, ein heckangetriebenes Fahrgestell mit Sperrdifferenzial. Die zivile Nachkriegsversion war der Käfer, der später weltberühmt wurde.

Technisch gesehen handelt es sich bei dem Kommandeurwagen um einen Wagen mit Käfer-Karosserie auf der Basis des Typ86 mit Allrad Fahrgestell, das speziell für hohe Offiziere an der Front vorgesehen war, Modellnummer Typ87. Typ82E, war ein Offizierswagen auf der Basis des Typ82-Kübelwagen mit Heckantrieb Fahrgestell und einer Käfer-Karosserie. Der Unterschied im Aussehen zwischen den beiden liegt in den breiteren Kotflügeln und Fußrasten des Typ87 und die größeren Geländereifen.

Der luftgekühlte Motor benötigt kein Wasser zur Kühlung und ist daher ideal für den Einsatz in heißen und kalten Umgebungen. Daher wurde er in großer Zahl an das Nordafrikanische Korps unter Erwin Rommel ausgeliefert, der auch der Prototyp unseres Kommandeurwagen-Modells ist.

Über das Modell

Wir beginnen mit dem Motor. Der luftgekühlte Boxermotor ist das Herzstück des Wagens, ein Motor, der bei späteren Generationen von Oldtimern verwendet wurde und 65 Jahre lang im Käfer zum Einsatz kam. Eine Geschichte, die zu Ende ging, als der letzte Käfer mit der Nummer 21.529.464 am 30. Juli 2003 in Puebla, Mexiko, vom Band lief. Der Typ 82 war zunächst mit einem 985-ccm-Motor ausgestattet, der später auf 1131ccm aufgerüstet wurde und dann schrittweise immer mehr Hubraum bekam. Im [REDACTED] wurde ein 1488-ccm-Motor verwendet, dem die Leistung von Anfang an verdoppelt wurde. Die Zylinder des Boxermotors sind auf beiden Seiten verteilt ein 130er Motor in der rechten Zylinderposition und ein weiterer 130er Motor für die linke Seite. Dadurch kann der Motor doppelt so viel Leistung bringen wenn er auf der Plattform des [REDACTED] oder [REDACTED] steht. Das Schwungrad der Motorkurbelwelle ist mit einem Riemen verbunden, der auch den Generator und das Kühlgebläse antreibt. Ein wesentliches Merkmal ist die halbrunde Lüfterverkleidung, bei der der Luftstrom auf die Zylinder auf beiden Seiten verteilt wird. Das Modell ist originalgetreu nachgebildet, d. h. man kann beobachten wie die Schaufeln sich bei laufendem Motor im Lüftereinlass drehen. Der Kübelwagen hat 4 Vorwärtsgänge und die Höchstgeschwindigkeit jedes Ganges beträgt im 1. Gang 18,4 km/h; im 2. Gang 32,4km/h; 3. Gang 54,2km/h; 4. Gang 83,6km/h. Die entsprechende rote Linie der Schaltung ist auf dem Armaturenbrett zu sehen. Am Modell haben wir eine 2-Gang-Schaltung entworfen, um die Geschwindigkeit des 1. und 3. Ganges des echten Autos zu simulieren. Die Kraft geht vom Hinterachsdifferential über das Mitteldifferential und kehrt dann zur Hinterachse zurück. Das Modell ist genauso aufgebaut wie der echte, was den Vorteil hat, dass es kompakt ist und sich leicht zwischen 4WD- und RWD-Modus umschalten lässt. Diese Schaltfunktion ist beim Modell perfekt nachgebildet und sorgt für mehr Fahrspaß bei Fahrten im Gelände.

Kommen wir nun zum Fahrwerk. Die heute auf dem Crawler-Markt beliebte Portalachse wurde bereits vor 82 Jahren in Großserie produziert, hier war das Untersetzungsverhältnis 15:21. Das Fahrgestell hatte eine Mindestbodenfreiheit von 310 mm was alle modernen Geländewagen auf dem heutigen Markt in den Schatten stellt. Beim echten Auto werden die Vorder- und Hinterradgeschwindigkeiten ausgeglichen, indem das Übersetzungsverhältnis des Vorderachsdifferenzials erhöht wurde, während wir beim Modell das Untersetzungsverhältnis auf 1:1 für die Vorder- und Hinterachsdifferentiale eingestellt haben. Das solide, tragende Chassis mit gestanztem Mittelstegrohr-Chassis und die Karosserie weisen eine hohe Torsionssteifigkeit auf. Die zentrale Antriebswelle und die elektrische Verkabelung sind im Firstrohr versteckt. Die Vorder- und Hinterräder sind Einzerradaufhängung mit Drehstabfederung, die einen langen Federweg bei geringem Platzbedarf ermöglicht. Wir verwenden Torsionsfedern anstelle von Drehstabfedern, um die Vorder- und Hinterradaufhängung leicht zu demontieren.

Bei der Bereifung setzt das Modell auf die gleichen 5,25 x 16-Geländereifen wie der Kübelwagen. Die Räder müssen wie beim echten Auto mit 5 Schrauben befestigt werden, und das Reserverad an der Vorderseite ist nach Öffnen der Motorhaube leicht zugänglich. Hier können Sie auch die

Batterie nach Belieben aufladen. Sie sitzt dort wo beim echten Auto der Kraftstofftank ist.

Lassen sich die Türen öffnen? Versuchen wir es mit dem Türgriff. Nach außen ziehen. Die Tür lässt sich mit dem eingebauten Federschloss öffnen, beim Schließen hört man das knackige Geräusch des Federschlosses.

Der Innenraum ist mit simulierter Stoff-Textur bezogen. Weichgummissitze haben die gleiche weiche Textur wie die echten Autopolster, perfekt für 1 / 12 Figuren. Wie bei ROCHOBBY üblich, verfügt das Modell über ein servobetriebenes Lenkrad und Vorderräder für perfekte Synchronisation.

Im Allgemeinen haben die Fondpassagiere keine separate Tür, was die Wahrscheinlichkeit einer erfolgreichen Flucht für die Offiziere in einem Notfall reduzierte. Zur Erleichterung der Flucht im Falle eines Angriffs oder eines Überschlags wurde im Dachfenster ein faltbares Stoffverdeck angebracht. Im Modell haben wir ein abnehmbares Kunststoffdach, das mit einem feinen Webmuster versehen ist, um die Textur des Stoffdaches zu simulieren. Wenn entfernt, können Figuren im Heck platziert werden.

Für das elektronische System wird eine 4-Kanal-Digital-Proportional-Fernsteuerung verwendet. Unter Kanälen für Lenkung und Gas steuert der 3. Kanal die Gangschaltung und der 4. Kanal die Umschaltung zwischen 4WD und RWD. Außerdem gibt es eine integrierte Lichtsteuerung, die es Ihnen ermöglicht, die Scheinwerfer bei normalen Nachtfahrten einzuschalten. Blinker und Bremslichter befinden sich am Heck des Fahrzeugs. Die Tarnscheinwerfer können nur während der Nachtlichtbeschränkung eingeschaltet werden.

Dann kommt die Verpackung, die aus umweltfreundlichem Schaumstoff besteht und die deutschen Munitionskisten aus dem Zweiten Weltkrieg simuliert. Die wiederverwendbare Schachtel kann lange Transportwege überstehen leicht zu lagern, leicht zu tragen.

Weitere spannende Produktmerkmale und Designs werden aus Platzgründen hier nicht vorgestellt, sondern erscheinen als Ostereier. Entdecken Sie sie selbst. Abschließend möchte ich mich bei Ihnen für den Kauf von ROCHOBBY Produkten bedanken. Kommentare und Anregungen senden Sie bitte per E-Mail an rochobby@163.com.

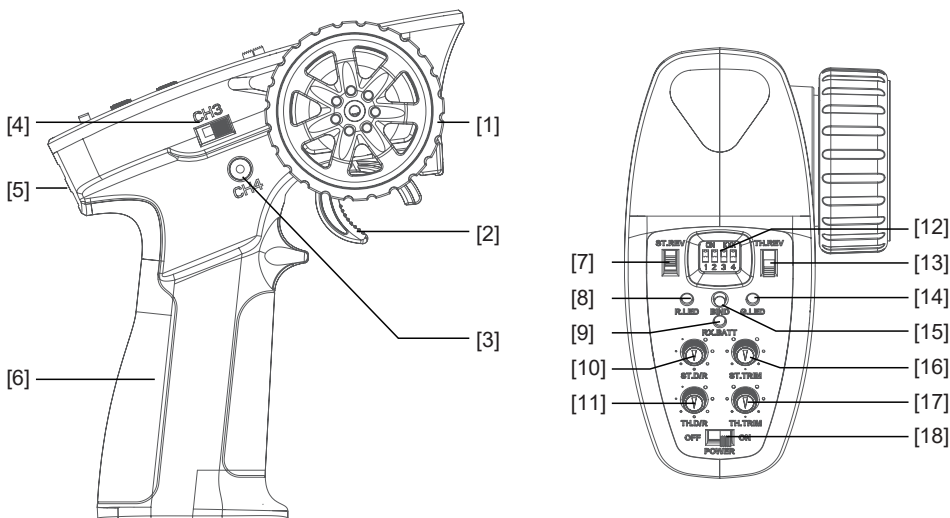
Ty82 Research Team
2021.10.19

Aufbau des Senders

Einleitung

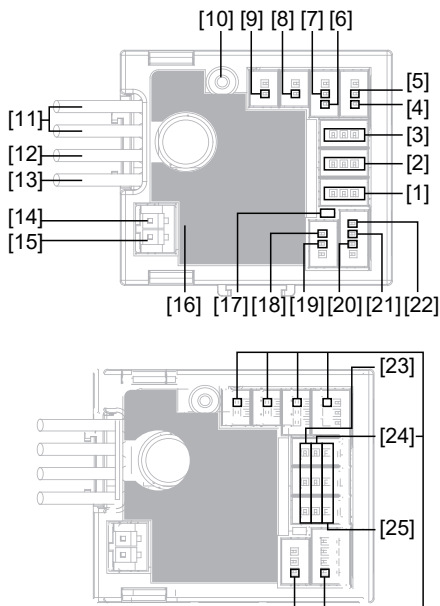
FS-R4A1 basiert auf dem ANT-Protokoll und ist ein Drei-in-Eins-Empfänger mit ESC und LED-Lichtgruppen-Steuerplatine. Er hat eine externe Einzelantenne, kann PWM-Signal und Lichtsteuersignal ausgeben, kann Zwei-Wege-Übertragung implementieren automatische Bindung und hat ein kompaktes Design, das an verschiedene Fahrzeugmodelle angepasst werden kann.

Sender Übersicht



[1]	Drehknopf der Lenkung, 35 Grad auf jeder Seite (CH1)	[10]	ST.D/R (Lenkausschlag)
[2]	Gashebel, 25 Grad vorne und 12,5 Grad hinten (CH2)	[11]	TH.D/R (Endgeschwindigkeit)
[3]	Drucktaste (CH4)	[12]	Schalter für Modiumstellung
[4]	Drei-Positions-Schalter (CH3)	[13]	TH.REV (Fahrrichtung)
[5]	Loch für Schlüsselband	[14]	G.LED
[6]	Griff / Batteriefach 4 AAA Batterien	[15]	BIND
[7]	ST.REV (Lenkrichtung)	[16]	ST.TRIM (Lenktrimmung)
[8]	R.LED	[17]	TH.TRIM (Gastrimmung)
[9]	RX.BATT	[18]	Ein/Aus Schalter

Übersicht



- | | |
|-----------------------|----------------------|
| [1] Kanal 1 | [14] Motor "+" |
| [2] Kanal 3 | [15] Motor "-" |
| [3] Kanal 4 | [16] Aufkleber |
| [4] Linker Blinker | [17] LED |
| [5] Scheinwerfer | [18] Linker Blinker |
| [6] Rechter Blinker | [19] Rechter Blinker |
| [7] Scheinwerfer | [20] Rückfahrleuchte |
| [8] Nebellampe | [21] Bremslicht |
| [9] Nebellampe | [22] Rücklicht |
| [10] Antenne | [23] Signal |
| [11] Ein/Aus Schalter | [24] Leitung "+" |
| [12] Batterie "+" | [25] Leitung "-" |
| [13] Batterie "-" | |

Spezifikation

- Produktname: FS-R4A1
- Adaptiver Sender: FS-MG41
- Modell-Typ: Auto
- Kanäle: 4
- Anzahl der Lichtschnittstellen: 7
- RF: 2,4GHz ISM
- 2.4G Protokoll: ANT
- Antenne: Einzelantenne
- Eingangsleistung: Lipo (2S)/NiMH (5~7Cell)
- BEC-Ausgang: 6V/1A
- Dauer-/Spitzenstrom: 10A/50A
- Datenausgang: PWM
- Temperaturbereich: -10 ~+60
- Luftfeuchtigkeitsgrenze: 20%~95%
- Wasserdicht: PPX4
- Online-Update: Nein
- Abmessungen: 33mm*30mm*12mm
- Gewicht: Etwa 11g
- Zertifizierung: CE, FCC ID: N4ZR4A10

Bindvorgang

Der Empfänger geht automatisch in den Bindungszustand über, sobald er eingeschaltet wird. Drücken Sie die **BIND**-Taste, um den Sender einzuschalten und ihn in den Bindezustand zu versetzen. Hier blinkt die **G.LED** schnell, und der Bediener lässt die **BIND**-Taste los.

1. Wenn der Empfänger eingeschaltet ist und 1 Sekunde lang wartet, geht er automatisch in den Bindungszustand über, wenn er nicht verbunden ist.
2. Nach erfolgreichem Binden leuchtet die LED-Anzeige des Empfängers immer.

Hinweise: (1) Bringen Sie zuerst den Sender in den Bindungsstatus und dann den Empfänger in den Bindungsstatus. Wenn die Bindung nicht innerhalb von 10s abgeschlossen ist, geht die Anzeige des Empfängers in den langsam blinkenden Zustand über. (2) Wenn Bindung erfolgreich ist, werden alle Einstellungen der Fahrzeugbeleuchtung auf ihre Standardwerte zurückgesetzt.

Fahrtregler-Schutz

Dieser Empfänger verfügt über mehrere Eingabeaufforderungen, wie z. B. Selbsttest beim Einschalten, Überhitzungsalarm, und Nieder-/Hochspannungsalarm.

- Selbsttest-Anzeige: Alle Fahrzeugleuchten leuchten für 1 Sekunde auf, wenn der Empfänger eingeschaltet wird;
- Überhitzungsalarm: Wenn die interne Temperatur des ESC 110° überschreitet, hat der Motor keine Leistung. Der Motor hat keine Leistung, alle Fahrzeuglampen blinken sofort, und die normale Leistung wird wiederhergestellt, wenn die Temperatur unter 70° sinkt.
- Nieder-/Hochspannungsalarm: Wenn der Empfänger in den Unterspannungsschutz geht, hat der Motor keine Leistung, und alle Lampen blinken langsam. Wenn der Empfänger in den Hochspannungsschutz eintritt, haben alle Kanäle keine Leistung mehr. Alle Fahrzeug Lichter blinken sofort.

Anweisungen für die ESC-Funktion

1. Anschließen der zugehörigen Ausrüstung

Stellen Sie sicher, dass der Regler ausgeschaltet ist und verbinden Sie den Motor mit M+ und M- des Reglers. Schließen Sie das Lenkservo an die mit "ST" gekennzeichnete 3Pin-Schnittstelle des Reglers an (- + S entsprechend anschließen). Verbinden Sie den Akku mit den Plus- und Minuspole des Reglers.

2. Normaler Start, Identifizierung des Gashebels in der Mitte:

Nach dem Anschluss der zugehörigen Ausrüstung wie in Schritt 1, schalten Sie zuerst das Funkgerät ein und bringen Sie den Gashebel in die Neutralstellung. Schalten Sie als letztes den Schalter des ESC ein. Der Empfänger wird den Akkutyp automatisch erkennen, wenn er wieder eingeschaltet wird.

- a. Der ESC kann nach Abschluss der Selbstinspektion (ca. 3 Sekunden) gestartet werden, wenn er eingeschaltet ist, ansonsten kann er nicht normal betrieben werden.
 - b. Wenn nach dem Einschalten keine Leistung ausgegeben wird und das rote Licht des Reglers schnell blinkt, überprüfen Sie bitte, ob der Gashebel des Senders auf die Position "0" eingestellt ist, erkennt der Empfänger nach dem Neustart automatisch die Mitte des Trimmreglers;
 - c. Wenn die Drehrichtung während des Betriebs nicht stimmt, tauschen Sie die beiden Verbindungskabel zwischen Motor und Regler aus.
 - d. Um sicher zu gehen, dass alles in Ordnung ist, schalten Sie bitte zuerst den Sender und dann den Regler ein. Schalten Sie zuerst den Regler aus und dann den Sender.
- Hinweise: Details zum Akkutyp, zur Bremskraft und zum Betriebsmodus des Reglers finden Sie in den entsprechenden Abschnitten. Betriebsart des Reglers.









Fail-safe

Diese Funktion dient der Sicherheit des Modells und des Bedieners, wenn der Empfänger das Signal vom Sender nicht empfangen kann und außer Kontrolle gerät. Der Empfänger geht davon aus, dass der Gaskanal außer Kontrolle geraten ist und geht in den Bremszustand über. Wenn andere Kanäle außer Kontrolle geraten sind, hat der Empfänger keinen Signalausgang. Wenn Sie ihn am Sender einstellen, wird er entsprechend dem eingestellten Wert ausgegeben.

Achtung!

- Vergewissern Sie sich, dass das Produkt korrekt installiert und kalibriert ist, andernfalls kann es zu schweren Verletzungen kommen.
- Bitte überprüfen Sie sorgfältig die Anweisungen für jedes Gerät und den Fahrzeugrahmen, um sicherzustellen, dass die Leistung angemessen ist vor dem Gebrauch. Vermeiden Sie eine Beschädigung des Stromversorgungssystems aufgrund einer falschen Anpassung.
- Achten Sie darauf, dass die Außentemperatur des Systems 90 /194 °C nicht übersteigt, da eine hohe Temperatur das Stromversorgungssystem beschädigt.
- Vergewissern Sie sich, dass der Akku des Empfängers abgeklemmt ist, bevor Sie den Sender ausschalten. Andernfalls kann es zu unbeabsichtigtem Betrieb oder zum Verlust der Kontrolle kommen.
- Denken Sie daran, nach dem Gebrauch den Akku und den Regler abzuklemmen. Wenn der Akku nicht abgeklemmt wird, verbraucht der Regler ständig Strom, auch wenn er ausgeschaltet ist. Er entlädt sich vollständig, wenn der Akku über einen längeren Zeitraum angeschlossen ist. Dies kann zu einem Ausfall des Akkus oder des Reglers führen. Wir sind nicht verantwortlich für Schäden, die durch unsachgemäße Handhabung entstehen.

Reglereinstellungen

Fahrmodus	Akkutyp	Bremse
 FWD/REV/BRK	 Lipo	 0%  75%
 FWD/REV	 NiMH	 50%  100%

Wählschalterzeichen

Der Wahlschalter am Sender dient zur Einstellung der ESC-Parameter, d.h. der Wahlschalter befindet sich in verschiedenen Positionen und die entsprechenden Parameterwerte sind unterschiedlich.

Einstellungsmethode:

Für den Regler können drei Parameter eingestellt werden: "Betriebsmodus", "Akkutyp" und "Bremse". Es gibt Schiebeschalter mit den Nummern 1, 2, 3 und 4 auf dem Bedienfeld des Senders. Die oben genannten Parameter können durch Abwärts- und Aufwärtsbewegung eingestellt werden. Die genaue Funktionsweise ist wie folgt:

Wenn der Schiebeschalter Nr. 1 auf der unteren Position steht, bedeutet dies, dass der Betriebsmodus auf FWD / REV / BRK eingestellt ist.

Wenn der Schiebeschalter Nr. 1 auf der oberen Position steht, bedeutet dies, dass die Betriebsart auf FWD/REV eingestellt ist.

Wenn sich der Schiebeschalter Nr. 2 in der unteren Position befindet, zeigt er an, dass der Akkutyp auf Lipo eingestellt ist.

Wenn sich der Schiebeschalter Nr. 2 in der oberen Position befindet, zeigt er an, dass der Akkutyp auf NiMH eingestellt ist.

Wenn sich die Schiebeschalter Nr. 3 und Nr. 4 in der unteren Position befinden, bedeutet dies, dass die Bremskraft auf 0% eingestellt ist.

Wenn der Schiebeschalter Nr. 3 auf "unten" und der Schiebeschalter Nr. 4 auf "oben" steht, bedeutet dies, dass die Bremskraft auf auf 50% eingestellt ist.

Wenn der Schiebeschalter Nr. 3 auf "oben" und der Schiebeschalter Nr. 4 auf "unten" steht, zeigt dies an, dass die Bremskraft auf auf 75% eingestellt ist.

Wenn die Schiebeschalter Nr. 3 und Nr. 4 auf der oberen Position stehen, bedeutet dies, dass die Bremskraft auf 100 % eingestellt ist.

Erläuterung der Parameter:

1. Fahrmodus

FWD/REV/BRK: Dieser Modus verwendet den "Doppelklick"-Rückwärtsmodus. Wenn der Gashebel zum ersten Mal vom normalen Bereich in den Rückwärtsgang geschoben wird, bremst der Motor nur und fährt nicht rückwärts. Wenn der Gashebel zurück in den normalen Bereich bewegt und zum zweiten Mal in den Rückwärtsgang geschoben wird, erfolgt der Rückwärtsgang. Dieser Modus ist für allgemeine Modelle geeignet.

FWD/REV: In diesem Modus wird der Rückwärtsgang mit einem Klick eingelegt, d.h. wenn der Gashebel vom Leerlaufbereich in den Rückwärtsgang geschaltet wird, schaltet der Motor sofort in den Rückwärtsgang, was in der Regel bei Rock Crawlern angewendet wird.

Methode der Parametereinstellung:

Wenn der Schiebeschalter Nr. 1 auf der unteren Position steht, bedeutet dies, dass die Betriebsart auf FWD / REV / BRK eingestellt ist.

Wenn sich der Schiebeschalter Nr. 1 in der oberen Position befindet, bedeutet dies, dass die Betriebsart auf FWD/REV eingestellt ist.

2. Akku-Typ

Es gibt LiPo und NiMH-Zellen. Der Wert für den Unterspannungsschutz ist bei den verschiedenen Typen unterschiedlich. Er kann entsprechend der tatsächlichen Verwendung eingestellt werden.

Methode der Parametereinstellung:

Wenn sich der Schiebeschalter Nr. 2 in der unteren Position befindet, bedeutet dies, dass der Akkutyp auf Lipo eingestellt ist.

Wenn sich der Schiebeschalter Nr. 2 in der oberen Position befindet, bedeutet dies, dass der Akkutyp auf NiMH eingestellt ist.

3. Bremskraft

Die Bremskraft bedeutet, dass der Gashebel, wenn er vom Vorwärts- oder Rückwärtsbereich in den Neutralbereich bewegt wird, eine bestimmte Stärke hat. Je größer der Wert ist, desto größer ist die Bremskraft des Motors. Wählen Sie die richtige Bremskraft entsprechend der tatsächlichen Situation.

Methode der Parametereinstellung:

Wenn sich die Schiebeschalter Nr. 3 und Nr. 4 in der unteren Position befinden, bedeutet dies, dass die Bremskraft auf 0% eingestellt ist.

Wenn der Schiebeschalter Nr. 3 auf "unten" und der Schiebeschalter Nr. 4 auf "oben" steht, bedeutet dies, dass die Bremskraft auf 50% eingestellt ist.

Wenn der Schiebeschalter Nr. 3 auf "oben" und der Schiebeschalter Nr. 4 auf "unten" steht, zeigt dies an, dass die Bremskraft auf 75% eingestellt ist.

Wenn die Schiebeschalter Nr. 3 und Nr. 4 auf der oberen Position stehen, bedeutet dies, dass die Bremskraft auf 100 % eingestellt ist.








Beleuchtungsfunktion

				Times for Pressing						
Schalter	Lichter	Funktion	Strom ein ist standardmäßig ausgeschaltet	I	II	III	IV	V	Steuerung Mod	Bemerkung
CH4	Scheinwerfer	Weißer Scheinwerfer bleiben an		OFF	•	OFF	OFF	OFF		
		Weißer Scheinwerfer bleiben an mit hoher Helligkeit		OFF	OFF	•	•	OFF		
	Rücklichter	Rücklichter bleiben an		OFF	•	•	•	OFF		
		Rücklichter werden rot, heller mit Bremsfunktion			○	○	○	○	○	Gashebel
	Nebellampen	Gelber Scheinwerfer bleiben an		OFF	OFF	OFF	•	•		

Erste Schritte

Bevor es losgeht, legen Sie die Batterie ein und verbinden Sie wie unten beschrieben.

★ SENDER BATTERIEN EINLEGEN

 Gefahr	Nur AAA Batterien verwenden (4x).
 Gefahr	Öffnen Sie den Akku nicht, nehmen Sie ihn nicht auseinander und versuchen Sie nicht, ihn zu reparieren.
 Gefahr	Die Batterie darf nicht gequetscht oder durchstochen werden, und die externen Kontakte dürfen nicht kurzgeschlossen werden.
 Gefahr	Setzen Sie das Gerät nicht übermäßiger Hitze oder Flüssigkeiten aus.
 Gefahr	Lassen Sie den Akku nicht fallen und setzen Sie ihn keinen starken Stößen oder Vibrationen aus.
 Gefahr	Lagern Sie den Akku immer an einem kühlen, trockenen Ort.
 Gefahr	Verwenden Sie den Akku nicht wenn er beschädigt ist.

Batterietyp: AAA

1. öffnen Sie die Abdeckung des Batteriefachs.
2. Legen Sie 4 voll aufgeladene AAA-Batterien in das Fach ein. Achten Sie darauf, dass die Batterien gut mit den mit den Kontakten des Batteriefachs.
3. Bringen Sie den Batteriefachdeckel wieder an.

Alarm bei niedrigem Batteriestand: Wenn die Batterie weniger als 4,2 V hat, blinkt die LED auf dem Bedienfeld langsam.

Anleitungen

Befolgen Sie nach dem Einrichten die nachstehenden Anweisungen, um das System zu bedienen.

1. Wenn die Stromversorgung des Senders eingeschaltet ist und der Codeübereinstimmungsmodus aktiviert ist, blinkt das Licht weiter;
2. Die Stromversorgung der Empfangsplatine wird eingeschaltet und die vorderen Lichter blinken weiter, um den Code einzugeben
3. Wenn der Codeabgleich erfolgreich war, leuchten alle Lichter des Senders und alle Lichter des Fahrzeugs sind aus; Anpassungsmodus;

Hinweis: Bei der Codeanpassung betätigen Sie bitte zuerst den Sender, um in den Codeanpassungsstatus zu gelangen, und dann den Empfänger, um den Codeabgleich zu aktivieren.

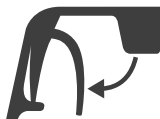
GASHEBELPOSITION

Gashebelposition

Neutralstellung



Endpunkt Vorwärts



Endpunkt Rückwärts

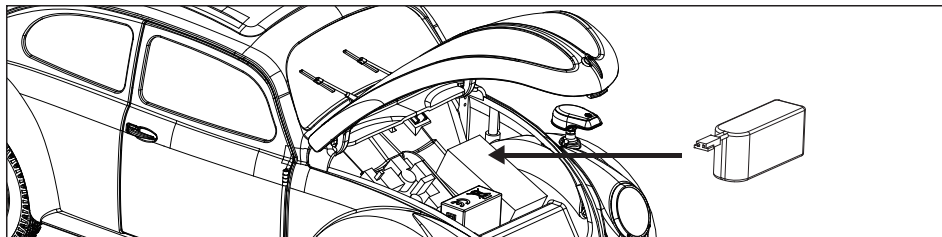


FAHRZEUG SETUP

Verbinden der Batterie

Schritt 1: öffnen der Haube

Schritt 2: die Batterie in die Batteriebox einlegen, und den Stecker verbinden.



HINWEIS

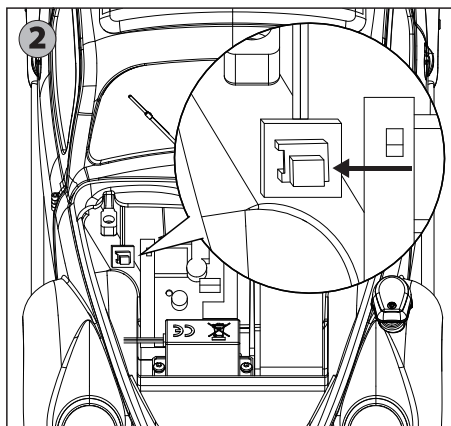
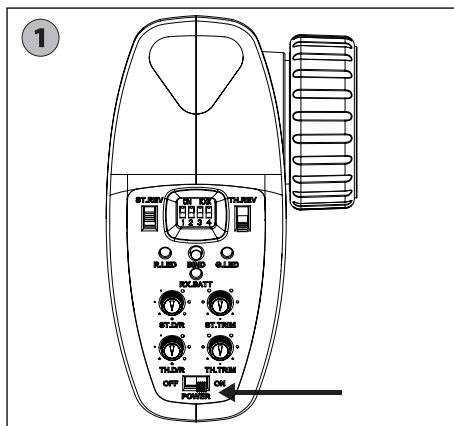
1. wenn das Gerät für längere Zeit nicht benutzt wird, ziehen Sie den Stecker und nehmen Sie die Batterie heraus, um ein Auslaufen der Batterie zu verhindern.
2. die Batterie nicht öffnen, zerlegen oder versuchen, sie zu reparieren.
3. nach dem Gebrauch den Akku aus dem Fahrzeug nehmen und nicht im Fahrzeug aufladen.

BEDIENUNG DES FAHRZEUGS

Schritt 1: Schalten Sie den Sender ein, der Scheinwerfer des Senders blinkt und wechselt in den Frequenzanpassungsmodus.

Schritt 2: Schalten Sie den Empfängerschalter ein, der Scheinwerfer blinkt und geht in den Frequenzanpassungsmodus.

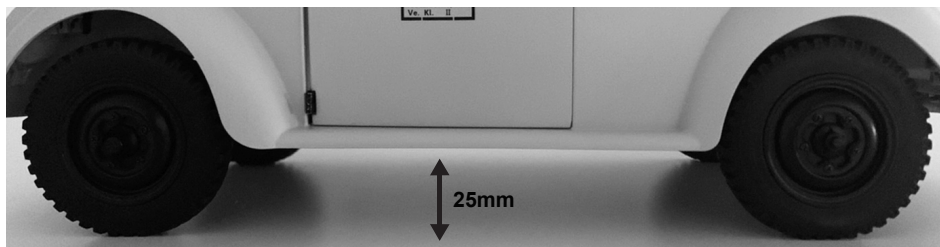
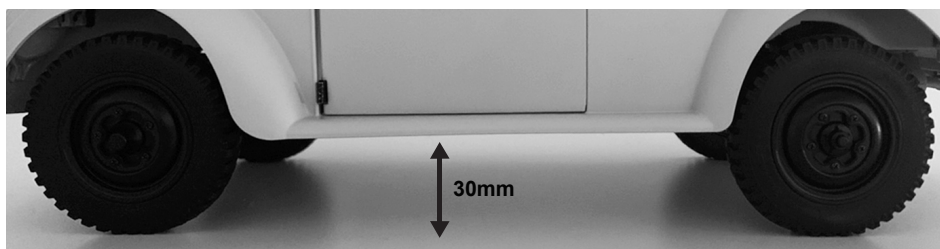
Schritt 3: Wenn die Frequenzanpassung zwischen Sender und Empfänger erfolgreich war, leuchten die LED's des Senders für eine lange Zeit, und die vorderen Lichter des Fahrzeugs sind aus.



STANDARDVORKEHRUNGEN

Der Kommandeurwagen Type82e/87 verfügt über eine Einzelradaufhängung mit Pendelachse, bei der anstelle von Drehstäben Torsionsfedern als elastisches Element verwendet wurden. Wenn die Torsionsfedern zu hart sind um das Gewicht des Wagens zu tragen, wird das Auto extrem federnd laufen und sich nicht wie ein echtes verhalten. Daher haben wir weiche und straffe Torsionsfedern gewählt, die ein gutes Fahrverhalten gewährleisten, aber auch dazu führen, dass die vorderen und hinteren Aufhängungen im Ruhezustand nicht ausfedern, was normal ist.

Die maximale Bodenfreiheit des realen Fahrzeugs beträgt 310 mm (Skalierungsverhältnis 25,8 mm). Um den Leistungsanforderungen eines RC-Geländewagens gerecht zu werden und um das zusätzliche Gewicht der Figuren zu berücksichtigen, wurde die maximale Bodenfreiheit im Modell auf 30 mm bei Nulllast und 25 mm bei Volllast festgelegt.



VERTEILER

Distributor für Deutschland, Österreich, Schweiz:

D-Power Modellbau

Sürther Str. 92-94

50996 Köln

Germany

Tel.: (0221) 346 641 57

TABLE DES MATIÈRES

CONSIGNES DE SÉCURITÉ	35
ENSEMBLE RADIO	37
PRÉSENTATION DU PRODUIT	38
POSITIONS DE LA GÂCHETTE DES GAZ	47
CONFIGURATION DU VÉHICULE	48
UTILISATION DU VÉHICULE	48
DIRECTION AVANT	65
ENSEMBLE JANTE ET PNEU	65
ENSEMBLE ESSIEU ARRIÈRE	66
PORTE GAUCHE	67
PORTE DROITE	67
TRANSMISSION	68
ENSEMBLE BASE CARROSSERIE	70
EQUIPEMENT CARROSSERIE	72
CHÂSSIS	74
VÉHICULE COMPLET	76
LISTE DES PIÈCES DÉTACHÉES	79

CONSIGNES DE SÉCURITÉ

Introduction

Ce manuel est rédigé afin de vous aider à utiliser, entretenir et réparer correctement le véhicule. Comme de nombreux composants sont spécifiques pour cette voiture, pensez à conserver ce manuel comme référence pour le futur.

Constitué d'éléments de haute précision, la Kommandeurwagen Type 82e/87 au 1/12è de ROCHOB-
BY n'est pas un jouet et n'est donc pas adaptée pour une utilisation par des enfants de moins de 14 ans. Les mineurs doivent être accompagnés par un adulte lors de l'utilisation. Ne pas utiliser ou entretenir ce véhicule correctement peut entraîner des blessures.

Il est de la seule responsabilité du propriétaire d'utiliser et d'entretenir correctement ce produit. ROCHOB-
BY et ses distributeurs ne sont responsables en aucune manière de blessures et/ou de dégâts matériels pouvant résulter de l'utilisation de ce produit.

Remplacez les éléments endommagés par des pièces d'origine. Faites particulièrement attention aux polarités de tous les câblages du véhicule.

Consignes de sécurité et avertissements

- Remplacez les éléments endommagés par des pièces d'origine. Faites particulièrement attention aux polarités de tous les câblages du véhicule.
- Faites preuve de bon sens lors du choix de l'environnement où vous utilisez votre véhicule. Ne l'utilisez pas à proximité de lignes électriques, de tours de transmission ou d'émetteurs de téléphonie mobile, sur des eaux profondes ou des terrains instables. L'utilisateur est seul responsable de ses actions.
- Le produit comprend des éléments électroniques de précision. Il est capital de tenir ce produit à l'écart de l'humidité et d'autres contaminants.
- Contrôlez toujours la portée radio avant utilisation afin d'éviter une perte de transmission ou des interférences.
- Utilisez ce produit en fonction de vos capacités. S'il est dangereux de récupérer le véhicule, ça ne vaut jamais la peine de prendre des risques.
- Allumez toujours l'émetteur avant de brancher la batterie du modèle. Pour la mise hors tension, débranchez toujours la batterie du modèle avant d'éteindre l'émetteur. En procédant en sens inverse, le modèle peut devenir incontrôlable et causer des dégâts importants.
- Ne faites jamais fonctionner l'émetteur avec des piles faibles, cela peut causer une perte de contrôle.
- Les plastiques du véhicule peuvent être endommagés ou déformés en cas de climat extrêmement chaud ou froid. Ne stockez pas le modèle près de sources de chaleur comme un four ou une bouche de chauffage. Rangez le modèle à l'intérieur, dans une pièce à température tempérée et contrôlée.

Informations sur la conformité CE pour l'Union Européenne

Les agences de réglementation associées aux pays suivants reconnaissent les certifications notées pour ce produit comme autorisé à la vente et à l'utilisation.

UK	DE	DK	BG	SE	GZ	ES	NL	SK	HU	RO	FR	PT	BE
FI	EE	LV	LT	PL	AT	CY	SI	GR	MT	IT	IE	LU	

Déclaration de conformité
Produits : Contrôleur 2,4 GHz
Classe d'équipement : 2
Les objets de la déclaration décrits ci-dessus sont en conformité aux exigences du cahier des charges énumérés ci-dessous.

Nom de l'élément : Contrôleur 2,4 GHz
The RED Directive 2014/53/EU
EN 60950-1:2006 + A11:2009 + A1:2010
+A12:2011 + A2:2013
EN 300 328 V2.2.2:(2019-07)
EN 301 489-1 V2.1.1:2017
EN 301 489-17 V3.1.1:2017

Merci de lire attentivement ce manuel avant utilisation. Nous ne sommes pas responsables de tous dégâts intentionnels ou d'une mauvaise utilisation. Si vous avez besoin d'informations supplémentaires ou si vous avez des questions concernant le produit ou son utilisation, merci de nous contacter via notre site : www.rochobby.com

Ce produit n'est pas un jouet ! Il est conseillé pour des enfants de 14 ans ou plus. La surveillance par un adulte est obligatoire pour les moins de 14 ans. Contient de petites pièces, tenir hors de portée des enfants de moins de trois ans.



Conformité

Déclaration de conformité FCC

Cet appareil est conforme à la partie 15 des règles de la FCC. L'utilisation est soumise aux deux conditions suivantes : (1) Cet appareil ne peut pas causer d'interférences nuisibles, et (2) Cet appareil doit accepter toute interférence reçue, y compris les interférences qui peuvent causer des fonctionnements indésirables.

Avertissement : Tout changement ou modification non approuvée expressément par la partie responsable de la conformité peut annuler le droit de l'utilisateur d'utiliser l'équipement.

Ce matériel a été testé et déclaré conforme aux limites d'un appareil numérique de classe B, conformément à la Part 15 des règles de la FCC. Ces limites sont conçues pour fournir une protection raisonnable contre les interférences nuisibles dans une installation résidentielle. Cet équipement génère, utilise et peut émettre de l'énergie radioélectrique et, s'il n'est pas installé et utilisé conformément aux instructions, peut provoquer des interférences nuisibles aux communications radio.

Cependant, il n'y a aucune garantie que des interférences ne se produiront pas dans une installation particulière.

Si cet équipement provoque des interférences nuisibles à la réception de la radio ou de la télévision, ce qui peut être déterminé en éteignant et en rallumant l'équipement, l'utilisateur est encouragé à essayer de corriger les interférences par une ou plusieurs des mesures suivantes :

1. Réorientez ou déplacez l'antenne de réception.
2. Augmentez la distance entre l'équipement et le récepteur.
3. Connectez l'équipement à une prise sur un circuit différent de celui auquel le récepteur est connecté.
4. Consultez le revendeur ou un technicien radio/TV expérimenté pour obtenir de l'aide.

Avertissement sur l'exposition aux rayonnements RF

Cet équipement est conforme aux limites d'exposition aux radiations FCC établies pour un environnement non contrôlé. Il doit être utilisé avec une distance minimale de 20 cm entre l'antenne et votre corps. Cet émetteur ne doit pas être au même endroit ou utilisé conjointement avec une autre antenne ou un autre émetteur.

Élimination respectueuse de l'environnement




Les appareils électriques usagés ne doivent pas être éliminés avec les ordures ménagères, mais doivent-ils être éliminés séparément. L'élimination doit se faire dans un centre de collecte de déchets. Le propriétaire d'appareils usagés est responsable d'apporter les appareils à ce point de collecte ou centres de recyclages. Avec ce petit effort personnel, vous contribuez au recyclage de matières premières précieuses et au traitement des substances toxiques.



ENSEMBLE RADIO

Symboles de sécurité

Faites bien attention aux symboles suivants et à leur signification. Ne pas respecter ces avertissements peut causer des dégâts matériels, des blessures et même entraîner la mort.

 Avertissement	Ne pas respecter ces instructions peut causer des blessures légères.
 Attention	Ne pas respecter ces instructions peut causer des blessures graves.
 Danger	Ne pas respecter ces instructions peut causer des blessures graves et même la mort.

Consignes de sécurité



Interdit



Obligatoire

- N'utilisez pas ce produit la nuit ou par mauvais temps comme sous la pluie ou sous un orage. Cela peut entraîner un fonctionnement erratique ou une perte de contrôle.

- N'utilisez pas ce produit si la visibilité est limitée.

- N'utilisez pas ce produit sous la pluie ou les jours de neige. Toute exposition à l'humidité (eau ou neige) peut entraîner un fonctionnement erratique ou une perte de contrôle.

- Une interférence peut entraîner une perte de contrôle. Pour assurer votre sécurité et celle des autres, n'utilisez pas ce produit dans les endroits suivants :

1. A proximité de sites ou d'autres activités de radiocommande peuvent avoir lieu.

2. A proximité de lignes électriques ou d'antennes de télécommunications ou relais TV.

3. A proximité de personnes ou de routes.

4. Sur des plans d'eaux si des bateaux avec passagers sont présents.

- N'utilisez pas ce produit si vous êtes fatigué, pas en forme, ou sous l'influence d'alcool ou de drogues. Ceci peut entraîner des blessures graves pour vous ou pour les autres.

- La bande radio 2,4 GHz est limitée à la portée visuelle directe. Gardez toujours votre modèle en vue car un gros objet peut bloquer le signal RF et entraîner une perte de contrôle.

- Ne touchez aucun élément du modèle qui peut générer de la chaleur lors de l'utilisation ou juste après usage. Le moteur ou le contrôleur de vitesse peuvent devenir très chauds et entraîner des brûlures graves.

- Une mauvaise utilisation de ce produit peut causer des blessures graves et même la mort. Pour assurer votre sécurité et celles des autres, ainsi que celle de votre matériel, lisez ce manuel et suivez les instructions.

- Assurez-vous que le produit est correctement installé dans votre modèle. Ne pas le faire peut causer des blessures graves.

- Veillez à toujours débrancher la batterie du modèle avant d'éteindre l'émetteur. Ne pas le faire peut entraîner un fonctionnement non désiré et causer un accident.

- Vérifiez que tous les moteurs tournent dans le bon sens. Sinon, régler les sens de rotation avant tout.

- Assurez-vous que le modèle reste à une distance inférieure à la portée de l'ensemble radio afin d'éviter toute perte de contrôle.

PRÉSENTATION DU PRODUIT

Contexte des recherches

Le Docteur Ferdinand Porsche, fondateur de la société des voitures Porsche, était un designer de génie dont les idées de conception ont eu une influence sur beaucoup, jusqu'à aujourd'hui. Il a conçu la Coccinelle, le chasseur de chars lourd Elephant, la Kubelwagen type 82, le véhicule amphibie Schwimmwagen Type166 et le Lohner-Porsche Mixed Hybrid, la première voiture au monde propulsée par des moteurs montés dans les moyeux de roues.

Pendant que Ferdinand Porsche concevait, Adolf Hitler faisait la guerre à travers l'Europe et plongeait le monde dans le chaos.

Les destins de ces deux Autrichiens se sont mêlés dans les années trente, lorsqu'Hitler fit deux promesses au peuple Allemand après son élection à la tête du Troisième Reich : l'une était d'avoir un steak au dîner ; l'autre était d'avoir une voiture pour chaque famille Allemande. La voiture avait un cahier des charges très spécifique, pouvoir transporter 2 adultes et 3 enfants en même temps, c'est-à-dire une famille allemande standard, et rouler à une vitesse allant jusqu'à 100 km/h, tout en se vendant pour pas plus de 1 000 Reichsmark. A la suite, l'Allemagne a construit un réseau de barrages et d'autoroutes, a construit la KdF Motor City à Wolfsburg, en Basse-Saxe et a enregistré la "Gesellschaft zur Vorbereitung des Deutschen Volkswagens mbH", qui est ensuite devenue le siège social de Volkswagen, marque à la renommée mondiale. La voiture nationale a également reçu son nom officiel, KdF-Wagen, qui est devenu plus tard la célèbre "Coccinelle". KDF est devenu en Allemand "Kraft Durch Freunde" c'est-à-dire "La force par la joie", ce qui était le nom de l'organisation de vacances du parti du travail Allemand à l'époque. Dans le même temps, le gouvernement a adopté un plan d'épargne permettant au grand public d'acheter des coupons de rationnement par l'intermédiaire de cette organisation afin de pré-économiser pour les voitures, ce qui s'est avéré être une belle escroquerie mise en place par Hitler pour collecter des fonds pour la guerre à venir. Les choix politiques qui ont suivi ont créé un grand nombre d'opportunités d'emploi, l'économie était en plein essor pendant un certain temps et pour l'Allemagne, c'était sans précédent. Les gens avaient des effectivement des steaks, mais pas de voitures. Puis la guerre est arrivée...

La KdF-Wagen est connue sous le nom de "voiture du peuple", alors qu'aucune n'a été en fait livrée au peuple. Toutes étaient réquisitionnées par l'armée et converties en véhicules militaires, le plus célèbre étant le Kübelwagen (Sortie le 25 novembre 2021, produit n°11241). Nous nous sentons honorés si vous le possédez déjà dans votre collection RC. Sinon, le Type82E est un excellent début pour les maquettes RC réalistes. Le Type82E, principalement offert aux officiers supérieurs, utilise une carrosserie KdF Wagen sur exactement le même châssis que le Kübelwagen, un châssis à propulsion arrière avec moteur placé à l'arrière et avec un différentiel à glissement limité. La version civile d'après-guerre était la Coccinelle, qui devint plus tard célèbre dans le monde entier.

Techniquement parlant, Kommandeurwagen fait référence à la voiture à carrosserie de Coccinelle basée sur le châssis Type86 à 4 roues motrices, spécialement prévue pour les hauts officiers sur le front, avec pour numéro de modèle "Type87". Le Type82E, quant à lui, fait référence à une voiture d'officier basée sur le châssis 2 roues motrices de la Type82 équipée d'une carrosserie Coccinelle. La différence d'apparence entre les deux réside dans les ailes et les repose-pieds plus larges du

Type87 et dans les pneus tout-terrain de plus grande taille.

Le moteur refroidi par air n'a pas besoin d'eau pour le refroidissement, ce qui le rend idéal pour une utilisation dans des environnements chauds et froids. Par conséquent, il a été envoyé en grand nombre au Corps d'Afrique du Nord sous Ehrewin Rommel, qui est également le modèle de notre modèle Kommandeurwagen.

Au sujet du modèle

Commençons par le moteur. Le moteur Boxer refroidi par air est le coeur de la voiture. Un moteur qui servi sur de nombreuses autres générations de voitures classiques et durant les 65 dernières années sur la Coccinelle. Une saga qui s'est terminée avec la dernière Coccinelle, numéro 21529464, sorti de la chaîne de production de Puebla au Mexique le 30 juillet 2003 !

A l'origine, le Type 82 était équipé d'un moteur de 985 cm³, remplacé par la suite par un 1 131 cm³, puis la cylindrée fut progressivement augmentée et la [REDACTED] utilisa un moteur de 1 488 cm³, doublant la puissance par rapport au tout début. Les cylindres du moteur à plat dans le modèle sont équipés de chaque côté, d'un moteur 130 pour les cylindres de droite et d'un autre moteur 130 réservé au côté gauche, ce qui double la puissance quand il est monté sur les plateformes [REDACTED] ou [REDACTED]. Le volant d'inertie du vilebrequin du moteur est également relié par une courroie pour entraîner la génératrice et le ventilateur de refroidissement. Le carter semi-circulaire du ventilateur est une particularité majeure, qui permet de répartir le flux d'air sur les cylindres des deux côtés. Tout est reproduit sur le modèle, ce qui veut dire que vous pouvez voir les pales tourner par l'entrée du ventilateur quand le moteur tourne. La Kübelwagen avait une boîte à 4 rapports et la vitesse maximum était respectivement de 18,4 km/h en première, 32,4 km/h en seconde, 54,2 km/h en troisième et 83,6 km/h en quatrième. La ligne rouge correspondante aux rapports est visible sur le tableau de bord. Sur le modèle, une boîte de vitesses à deux rapports a été conçue pour simuler le premier et le troisième rapport de la véritable voiture. La puissance traverse le haut du différentiel de l'essieu arrière puis revient sur l'essieu arrière. Le modèle partage la même structure que le véritable moteur, avec l'avantage de la compacité, facilitant le passage entre les modes 4 roues motrices et propulsion arrière. Cette fonction de changement de rapport est parfaitement reproduite sur le modèle afin de donner encore plus de plaisir de conduite en tout-terrain.

Passons au châssis. Les essieux portiques aujourd'hui très populaires sur le marché des crawlers étaient déjà produits en masse il y a 82 ans, nous en apprenant beaucoup sur le rapport de réduction appliqué aux roues arrière et qui était de 15:21. Il donnait au châssis une garde au sol minimale de 310 mm, à la façon des véhicules tout-terrain du marché actuel. Sur la véritable voiture, la différence de vitesse des roues avant et arrière était équilibrée en augmentant le rapport du différentiel avant, alors que sur le modèle, nous avons réglé le rapport de réduction à 1:1 pour avoir des différentiels avant et arrière communs.

Le châssis porteur avec le pontet central et les renforts de carrosserie emboutis offrent une résistance à la torsion élevée. L'arbre de transmission central et le câblage électrique sont cachés dans le pontet central. Le châssis monobloc en plastique injecté du modèle présente la texture de l'emboutissage du métal, et l'emplacement et la taille de chaque renfort sont restitués à l'échelle par rapport à la voiture réelle. Les roues avant et arrière adoptent des suspensions indépendantes à

barre de torsion, permettant une grande capacité de débattement et un faible encombrement. Nous utilisons des ressorts de torsion au lieu des barres de torsion élastiques pour représenter la suspension avant et arrière, ce qui est facile à démonter et à régler.

En ce qui concerne les pneus, le modèle adopte les mêmes pneus tout-terrain 5,25 x 16 que la Kübelwagen. Les jantes maquettes doivent être fixées avec 5 vis comme sur la vraie voiture, et la roue de secours à l'avant est facilement accessible après avoir ouvert le capot. A ce niveau, vous pouvez également charger la batterie à votre convenance avec une batterie installée dans le réservoir de carburant de la voiture.

Les portes peuvent-elles être ouvertes ? Essayons la poignée de porte. Tirez vers l'extérieur : la porte peut être ouverte en poussant le ressort de verrouillage intégré, et à la fermeture, vous pouvez entendre le son "Clic" du verrouillage à ressort.

L'intérieur des portes est gravé d'une texture de tissu simulée. Les sièges en caoutchouc souple partagent la même texture douce du coussin de la voiture réelle, ce qui est parfait pour les figurines au 1/12. Comme le fait toujours ROCHOBBY, le modèle dispose d'un volant et de roues avant à servocommande pour un mouvement parfaitement synchronisé.

De manière générale, les passagers arrière n'ont pas de porte séparée, ce qui réduit la probabilité d'une évacuation rapide pour les officiers assis à l'arrière en cas d'urgence. Pour faciliter l'évacuation en cas d'attaque ou de retournement, un auvent souple pliable est installé dans la fenêtre de toit. Dans le modèle, nous avons mis en place un toit en plastique amovible sculpté d'un motif de tissage fin pour simuler la texture de la canopée en tissu. Une fois ce toit retiré, les figurines peuvent être placées à l'arrière si vous le souhaitez.

En ce qui concerne l'ensemble électronique, un système de télécommande proportionnelle numérique à 4 voies est utilisé. En plus des voies 1 et 2 pour la direction et la commande des gaz, la 3ème voie contrôle le changement de vitesse et la 4ème voie bascule entre le mode 4 roues motrices et le mode 2 roues motrices arrière. Il existe également une commande d'éclairage intégrée, qui vous permet d'allumer les phares pendant la conduite de nuit normale. Les clignotants et feux stop liés à la direction se trouvent à l'arrière de la voiture. Les utilisateurs peuvent n'allumer les feux anti-aériens que pendant la restriction de la lumière nocturne.

Vient ensuite l'emballage, qui utilise un matériau en mousse respectueux de l'environnement pour simuler les boîtes de munitions allemandes de la Seconde Guerre mondiale. La boîte recyclable peut supporter un transport longue distance, est facile à ranger et facile à transporter.

Des fonctionnalités et des spécificités de conception du produit supplémentaires ne seront pas présentées ici en raison de la limite d'espace, mais apparaîtront sous forme "d'oeufs de Pâques". Découvrez-les par vous-même. Enfin, merci d'avoir acheté les produits ROCHOBBY. Pour tout commentaire ou suggestion, merci d'envoyer un courrier électronique à rochobby@163.com.

L'équipe de recherche et développement du Type 82

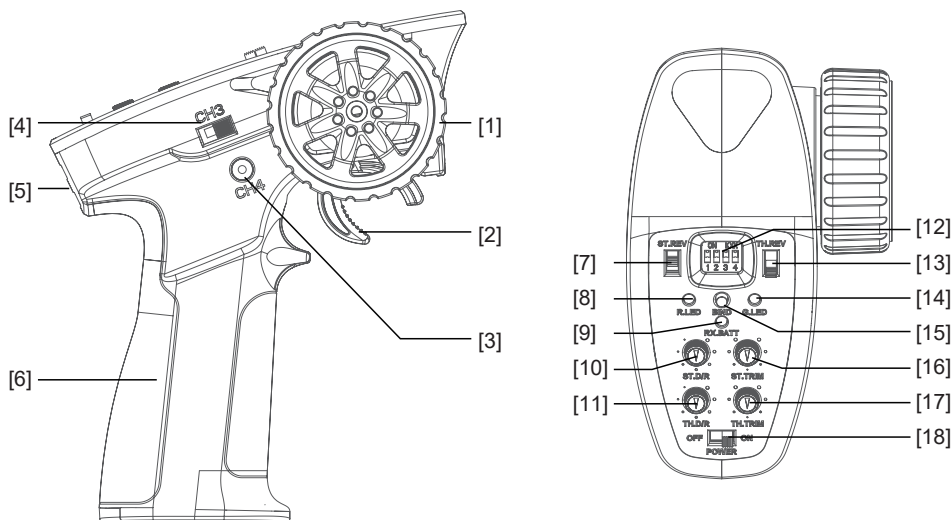
Le 19 octobre 2021

Instructions pour l'émetteur

Introduction

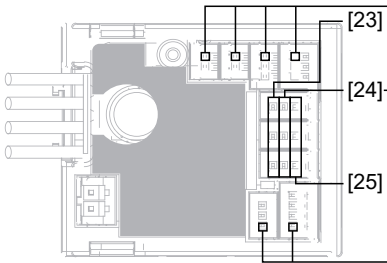
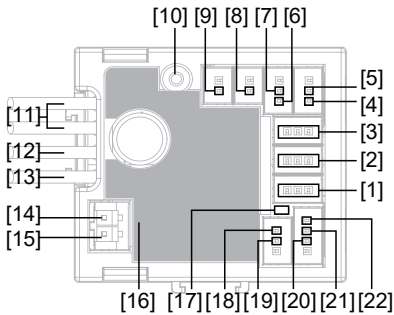
Le FS-R4A1 basé sur le protocole ANT est un récepteur trois-en-un avec variateur et panneau de contrôle du système d'éclairage à LEDs. Il possède une seule antenne externe, peut émettre un signal PWM et un signal de contrôle des éclairages, peut mettre en oeuvre une transmission bidirectionnelle, adopte un appareillage automatique et a une conception compacte, qui peut être adaptée à divers modèles de voitures.

Vue générale de l'émetteur



[1]	Volant, débattement de 35° de chaque côté.(Voie 1)	[10]	ST.D/R (Dual rate de direction)
[2]	Gâchette. 25° vers l'avant, 12,5° vers l'arrière.(Voie 2)	[11]	TH.D/R (Dual rate de gaz)
[3]	Bouton-poussoir (Voie 4). Bouton type bascule.	[12]	Bloc Dip-switchs de paramétrage du variateur
[4]	Interrupteur 3 positions (Voie 3)	[13]	TH.REV (Inversion voie des gaz)
[5]	Trou pour sangle	[14]	LED Verte
[6]	Poignée, logement pour 4 piles AAA	[15]	BIND (Appareillage)
[7]	ST.REV (Inversion de la direction)	[16]	ST.TRIM (Trim de direction)
[8]	LED Rouge	[17]	TH.TRIM (Trim des gaz)
[9]	Témoin batterie Réception	[18]	Interrupteur ON/OFF

Vue d'ensemble



- | | |
|-------------------------------------|-------------------------------|
| [1] CH1 | [13] Fil de batterie "-" |
| [2] CH3 | [14] Connecteur moteur "+" |
| [3] CH4 | [15] Connecteur moteur "-" |
| [4] Connecteur clignotant gauche | [16] Stickers |
| [5] Connecteur phare avant | [17] LED |
| [6] Connecteur clignotant droit | [18] Connecteur clignotant G |
| [7] Connecteur phare avant | [19] Connecteur clignotant D |
| [8] Connecteur phare antibrouillard | [20] Connecteur feu de recul |
| [9] Connecteur phare antibrouillard | [21] Connecteur feu stop |
| [10] Antenne | [22] Connecteur phare arrière |
| [11] Interrupteur | [23] Broche de signal |
| [12] Fil de batterie "+" | [24] Puissance "+" |
| | [25] Puissance "-" |

Caractéristiques

- Nom du produit : FS-R4A1
- Emetteur adaptatif : FS-MG41
- Type de modèle : Voiture
- Nombre de voies : 4
- Nombre d'interfaces d'éclairage : 7
- RF : 2,4 GHz ISM
- Protocole 2,4G : ANT
- Antenne : Antenne simple
- Alimentation : LiPo (2S) / NiMH (5 à 7 éléments)
- Sortie BEC : 6V / 1A
- Courant max en continu / en pointe : 10 A / 50 A
- Sortie de données : PWM
- Plage de température : -10 °C à +60 °C
- Limites d'humidité : 20 % à 95 %
- Etanchéité : PPX4
- Mise à jour en ligne : Non
- Dimensions : 33 x 30 x 12 mm
- Poids : environ 10 g
- Certification : CE, FCC ID: N4ZR4A10

Appairage

Le récepteur passe automatiquement en mode d'appairage à sa mise sous tension. Appuyez sur le bouton **BIND** pour allumer l'émetteur et laissez-le entrer en mode d'appairage. Alors, la LED verte clignote rapidement, l'opérateur relâche alors le bouton **BIND**.

1. Quand le récepteur est allumé et en attente durant une seconde, il passe automatiquement en mode d'appairage s'il n'est pas connecté.
2. Une fois l'appairage réussi, l'indicateur à LED est allumé fixe.

Notes :

(1) Commencez par mettre l'émetteur en mode d'appairage, puis allumez le récepteur en mode d'appairage. Si l'appairage n'est pas terminé dans les 10 secondes, l'indicateur lumineux du récepteur se met à clignoter lentement.

(2) Si le ré-appairage est réussi, tous les réglages de l'éclairage de la voiture sont réinitialisés à leurs valeurs par défaut.

Protections du variateur

Ce récepteur offre de multiples fonctions comme la réalisation d'un auto-test à la mise sous tension, une alarme de surchauffe et une alarme de tension trop forte ou trop faible.

- Affichage de l'auto-test : Toutes les lumières de la voiture doivent s'allumer durant 1 seconde lors de la mise sous tension du récepteur.
- Alarme de surchauffe : Quand la température interne du variateur dépasse les 110 °C, le moteur est coupé, toutes les lumières clignotent rapidement et l'alimentation du moteur est restaurée quand la température du variateur passe sous les 70 °C.
- Alarme de tension trop élevée ou trop basse : Quand le récepteur passe en protection de tension trop faible, le moteur est coupé et toutes les lumières clignotent lentement. Quand le récepteur passe en protection de tension trop élevée, l'alimentation est coupée sur tous les canaux et toutes les lumières clignotent rapidement.

Instructions pour le fonctionnement du variateur

1. Connexion des équipements associés

Assurez-vous que le variateur est hors tension avant de faire les branchements. Branchez le moteur sur les bornes M+ et M- du variateur. Branchez le servo de direction sur la borne à 3 broches notée "ST" sur le variateur (en faisant correspondre - + S). Branchez la batterie en respectant les polarités des pôles positifs et négatifs du variateur.

2. Mise sous tension normale, identification du point milieu des gaz

Après avoir connecté les équipements comme indiqué à la première étape, allumez d'abord l'émetteur, placez la gâchette des gaz au neutre. Mettez l'interrupteur du variateur sur ON ensuite. Le récepteur va reconnaître automatiquement le type de batterie quand il est remis sous tension. Il peut alors fonctionner.

Notes:

- a. Le variateur ne peut fonctionner qu'après avoir réalisé son auto-test (environ 3 secondes) à l'allumage, sans quoi, il ne peut fonctionner normalement.
- b. Si vous n'avez pas de puissance de sortie et que la LED rouge du variateur clignote rapidement après mise sous tension, vérifiez que le trim de gaz de l'émetteur est en position "0" (neutre). Le récepteur reconnaîtra automatiquement le point neutre du trim de gaz après redémarrage.
- c. Si le moteur ne tourne pas dans le bon sens, intervertissez les deux fils reliant le variateur au moteur.
- d. Pour être certain que tout se passe bien, allumez toujours d'abord l'émetteur, puis le variateur, et éteignez toujours d'abord le variateur puis l'émetteur.

Notes: Merci de vous reporter aux chapitres dédiés pour les détails sur le type de batterie, la force de frein moteur et les modes de fonctionnement du variateur.





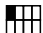



Fail-Safe

Cette fonction sert à protéger le modèle et l'utilisateur si le récepteur ne peut pas recevoir normalement le signal de l'émetteur et que le contrôle est perdu. Par défaut, le récepteur détecte un problème avec le signal des gaz et passe alors en mode de freinage. Toutes les autres voies sont hors de contrôle, le récepteur n'envoie pas de signal de sortie. Si vous avez réglé une position depuis l'émetteur, le récepteur mettra les autres voies dans la position que vous avez pré-réglée.

Attention:

- Assurez-vous que le produit est correctement installé et calibré. Ne pas le faire peut conduire à des blessures graves.
- Vérifiez soigneusement tous les éléments alimentés et les instructions du châssis de la voiture pour vous assurer que la puissance correspond à un usage raisonnable. Evitez d'endommager l'ensemble de motorisation à cause d'un mauvais choix de correspondance.
- Ne dépassez pas une température externe du système de 90 °C / 194 °F, une trop forte température endommagerait le système.
- Assurez-vous d'avoir débranché la batterie du récepteur avant d'éteindre l'émetteur afin de ne pas risquer de fonctionnement non désiré ou une perte de contrôle.
- Après usage, pensez à débrancher la batterie du variateur. Si la batterie n'est pas débranchée, le variateur consommera de l'énergie même si l'interrupteur est sur OFF. Cela déchargera complètement la batterie si celle-ci reste branchée longtemps. Ceci peut causer une panne de la batterie ou du variateur. Nous ne sommes en aucun cas responsables de dégâts entraînés par un oubli par l'utilisateur de débrancher la batterie.
- Assurez-vous que le récepteur est monté à l'écart de moteurs ou autres matériels produisant un "bruit électrique".
- Tenez l'antenne du récepteur à au moins 1 cm de matériaux conducteurs comme du carbone ou du métal.
- N'allumez pas le récepteur durant la phase d'initialisation pour éviter une perte de contrôle.

Réglage des paramètres du variateur

Mode de fonctionnement	Type batterie	Frein moteur	
 AV / AR / Frein	 Lipo	 0%	 75%
 AV / AR	 NiMH	 50%	 100%

Affectation des Dip-Switchs

Les Dip-Switchs sur l'émetteur servent à configurer le variateur. Différentes positions des Dip-Switchs correspondent à différentes valeurs de paramètres.

Méthode de réglage:

Trois paramètres peuvent être réglés sur le variateur : le mode de fonctionnement, le type de batterie et le freinmoteur. Les Dip-Switchs sont numérotés 1, 2, 3 et 4 sur le panneau de l'émetteur. Les paramètres ci-dessus peuvent être obtenus en montant ou en descendant les Dip-Switchs ainsi :

- Dip-Switch 1 en bas : Mode de fonctionnement avec Marche avant, Marche arrière et Freinage.
- Dip-Switch 1 en haut : Mode de fonctionnement avec Marche avant et Marche arrière.
- Dip-Switch 2 en bas : Type de batterie LiPo.
- Dip-Switch 2 en haut : Type de batterie NiMH.
- Dip-Switch 3 et 4 en bas : Force du frein moteur à 0 %
- Dip-Switch 3 en bas et dip-switch 4 en haut : Force du frein moteur à 50 %.
- Dip-Switch 3 en haut et dip-switch 4 en bas : Force du frein moteur à 75 %.
- Dip-Switch 3 et 4 en haut : Force du frein moteur à 100 %.

Explication des paramètres :**1. Mode de fonctionnement**

AV/AR/Frein : Ce mode utilise la méthode du "double-clic" pour la marche arrière. Quand on pousse la gâchette du neutre vers la zone de marche arrière une première fois, le moteur ne fait que freiner et ne fait pas marche arrière. Quand la gâchette est poussée pour la seconde fois du neutre vers la marche arrière, le moteur fait reculer la voiture. Ce mode s'applique aux modèles de manière générale.

AV/AR : Ce mode utilise la méthode "un clic" pour la marche arrière. Dès que la gâchette est poussée du neutre vers la marche arrière, le moteur engage immédiatement une action en marche arrière. Ceci s'utilise en général sur les Rock Crawlers.

Méthode de réglage du paramètre :

- Dip-Switch 1 en bas : Mode de fonctionnement avec Marche avant, Marche arrière et Freinage.
- Dip-Switch 1 en haut : Mode de fonctionnement avec uniquement Marche avant et Marche arrière.

2. Type de batterie

Il y a des éléments de batterie LiPo et NiMH. La valeur de protection contre les tensions trop faibles est différente selon le type. Elle doit être adaptée en fonction de l'utilisation effective.

Méthode de réglage du paramètre :

- Dip-Switch 2 en bas : Type de batterie réglé sur LiPo.
- Dip-Switch 2 en haut : Type de batterie réglé sur NiMH.

3. Force du frein moteur

Le frein moteur signifie que quand la gâchette des gaz est placée dans la plage neutre, le moteur fournit une certaine force de freinage. Plus grande est la valeur, plus importante est ce frein moteur. Choisissez une force de frein moteur adaptée à la situation.

Méthode de réglage du paramètre :

- Dip-Switch 3 et 4 en bas : Force du frein moteur réglé à 0 %
- Dip-Switch 3 en bas et dip-switch 4 en haut : Force du frein moteur réglé à 50 %.
- Dip-Switch 3 en haut et dip-switch 4 en bas : Force du frein moteur réglé à 75 %.
- Dip-Switch 3 et 4 en haut : Force du frein moteur réglé à 100 %.





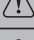
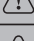

Fonctions de l'éclairage

Bouton	Position d'éclairage	Fonction	Eclairage est coupé par défaut	Nombre d'appuis					Moyen de contrôle	Remarques
				I	II	III	IV	V		
CH4	Phares avant	Phares blancs toujours ON		OFF	•	OFF	OFF	OFF		
		Phares blancs toujours ON, haute intensité		OFF	OFF	•	•	OFF		
	Feux arrière	Toujours ON		OFF	•	•	•	OFF		
		Les feux arrière deviennent rouges avec une luminosité élevée pendant le fonctionnement des freins		○	○	○	○	○	Contrôle par commande des gaz	Les feux stop sont allumés avec une luminosité élevée pendant le fonctionnement des freins
	Antibrouillard	Phares avant jaunes allumés		OFF	OFF	OFF	•	•		

Mise en route

Avant l'utilisation, placez les piles dans l'émetteur et connectez l'ensemble en suivant les instructions ci-dessous.

★ Installation des piles dans l'émetteur

 Danger	N'utilisez que les piles spécifiées (4 x piles AAA)
 Danger	Ne pas ouvrir, démonter, ou tenter de réparer les piles ou les batteries.
 Danger	Ne pas écraser/poinçonner les piles ou batteries, ne pas mettre en court-circuit les contacts.
 Danger	Ne pas exposer à une chaleur excessive ou à des liquides.
 Danger	Ne pas laisser tomber les piles ou batteries, ne pas les exposer à des chocs ou vibrations intenses.
 Danger	Toujours ranger les batteries dans un endroit sec et tempéré.
 Danger	N'utilisez pas les piles ou batteries si elles sont endommagées.

Type de piles : AAA

Mise en place :

1. Ouvrez la trappe du logement des piles.
2. Placez 4 piles AAA chargées à fond dans le logement. Assurez-vous que les piles ont un bon contact avec les plots dans le logement des piles.
3. Remplacez la trappe du logement des piles.

Alarme de piles faibles : Si la tension des piles tombe sous 4,2 V, la LED sur le panneau clignotera lentement.

Instructions pour l'appairage

Après la préparation, suivez ces instructions pour utiliser le système.

1. Appairage automatique (l'émetteur et le récepteur ont été appairés avant que quitter l'usine).

Si vous avez besoin de remplacer soit l'émetteur, soit le récepteur, suivez les étapes ci-dessous pour refaire l'appairage :

1. Quand l'émetteur est allumé et que le mode de correspondance de code est actif, la LED clignote.
2. Le récepteur est mis sous tension et les LEDs à l'avant restent clignotantes pour entrer le code correspondant.
3. Quand l'appairage est réussi, toutes les LEDs sur l'émetteur sont allumées et toutes celles du véhicule sont éteintes.

Note : Pour l'appairage, merci de faire fonctionner l'émetteur en premier pour entrer en mode d'appairage, puis faites fonctionner le récepteur pour le faire entrer en mode de correspondance de code.

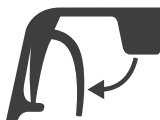
POSITIONS DE LA GÂCHETTE DES GAZ

Positions de la gâchette des gaz

Position neutre



A fond en marche avant



A fond en marche arrière

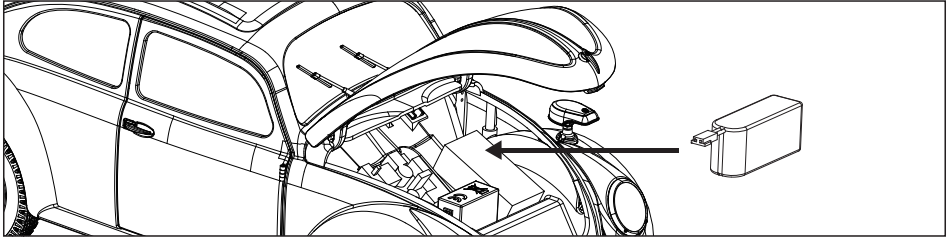


CONFIGURATION DU VÉHICULE

Connexion de la batterie

ETAPE 1 : Ouvrez le capot.

ETAPE 2 : Placez la batterie dans son logement et branchez le connecteur de la batterie.



Note :

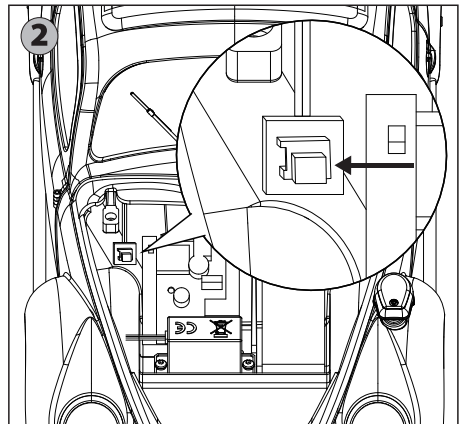
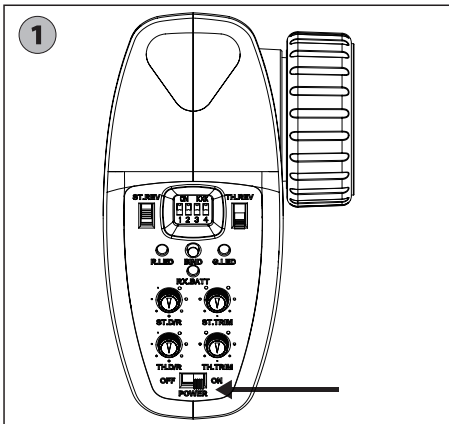
1. Si vous n'utilisez pas le véhicule un long moment, débranchez la batterie et sortez la du véhicule pour éviter les fuites.
2. Ne jamais ouvrir, démonter ou tenter de réparer la batterie.
3. Après utilisation, débranchez la batterie du véhicule. Ne chargez pas la batterie à l'intérieur du véhicule.

UTILISATION DU VÉHICULE

ETAPE 1 : Allumez l'émetteur. La LED avant de l'émetteur clignote et entre en mode d'appairage automatique.

ETAPE 2 : Allumez l'interrupteur du récepteur, les phares vont clignoter et entrer en mode d'appairage.

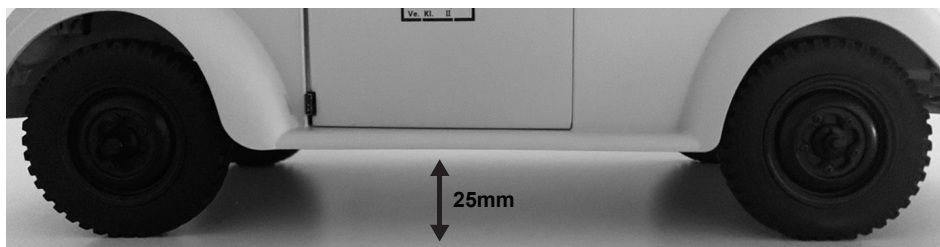
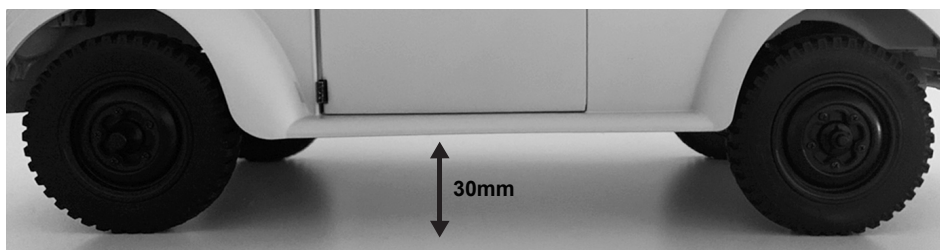
ETAPE 3 : Quand l'émetteur et le récepteur sont appairés, les LEDs à l'avant de l'émetteur restent allumées et les phares de la voiture s'éteignent.



PRÉCAUTIONS STANDARDS

La Kommandeurwagen Type82e/87 utilise une suspension indépendante à essieu oscillant, à savoir que des ressorts de torsion sont adoptés comme élément élastique à la place de barres de torsion. Si les ressorts de torsion sont trop fermes pour maintenir le poids de la voiture, le comportement de la voiture sera extrêmement rebondissant, et dans ce cas, elle ne se comportera pas comme la vraie voiture. Par conséquent, nous avons sélectionné des ressorts de torsion souples et serrés pour assurer de meilleures performances de conduite, mais aussi pour empêcher les suspensions avant et arrière de rebondir au repos. Ceci est normal.

La garde au sol maximale de la véritable voiture est de 310 mm (Soit à l'échelle : 25,8 mm). Pour répondre aux exigences de performance en tout-terrain RC et compte tenu du poids supplémentaire des figurines, la garde au sol maximale définie pour le modèle est de 30 mm à vide et de 25 mm à pleine charge, ce qui peut présenter une allure en fonctionnement plus réaliste sous différentes conditions de chargement.



DISTRIBUTEUR

Distributeur en France et au Benelux:

Beez2B sprl

54 rue de Thy

B-1470 Baisy Thy

Belgique Tél.: +32 2 376 71 82

目录

安全保障措施	51
无线电系统	51
产品简介	53
车辆设置	63
车辆操作	63
前导向	65
轮胎组	65
后轮轴组	66
左车门	67
右车门	67
变速箱组	68
车壳组半成品	70
车壳组成品	72
车底组	74
整车组	76
配件表	80

安全保障措施

指引

本手册可以有效帮助您正确操作、维护和修理本品。由于本品所涉多数部件为特有部件，请保留本手册作为未来参考之用。

这款产品由精密制造的组件组成，非玩具级别，不适合14岁以下的儿童操作使用。

未成年人应在有经验的成年人陪同下操作使用。不当操作或维护会造成车辆损坏，甚至可能导致人身及财产损失。

本品操作者需以安全的方式操作本品。ROCHOBBY及其分销商不以任何方式对不当使用本产品所可能造成的任何人身伤害或财产损害负责。

安全、预防措施及警告

- 请使用原厂部件更换损坏的部件。特别注意所有车辆接线的正负极。
- 务必选择合适的环境操作遥控模型，所选环境需远离电缆、无线电塔、深水及不稳定地形。本品操作者对其行为全权负责。
- 本品由精密电子部件构成。请勿将本品暴露于潮湿的环境或者其他污染物中，以免造成损坏。
- 确保每次操作前检查车辆的无线接收范围，以防止无线信号丢失或受干扰。
- 在您的能力范围内操作此产品。在任何时候，如果车辆操作有危险，则绝对不值得冒险。
- 通电方式：务必先开遥控器再将车子通电。断电方式：务必先将车子断电再关遥控器。以上顺序如逆转，则可能引起遥控模型失控，导致人身伤害或财产损失。
- 遥控器电池低电时，不要操作模型车，以免造成失控。
- 模型产品上的塑胶件容易因极冷或极热气候出现变形或损坏的状况。所以请将模型产品存放于常温环境中。

使用前请仔细阅读本手册。我们不对任何故意损坏或不当使用负责。这个产品不是玩具！建议14岁及以上者使用。14岁以下的用户，需要在成年人监督下使用。本产品部分包含小零件，请务必保证3岁及以下儿童不能接触本产品。



无线电系统

安全符号

仔细阅读以下符号及其相关说明，如不按照以下指引进行操作，可能会导致设备损坏或人员伤亡。

⚠ 注意 如果使用者不按照说明方法操作，有可能导致操作者或他人受到轻微伤害。

⚠ 注意 如果不按照说明方法操作，可能导致操作者或他人遭受较大伤害。

⚠ 注意 如果不按照说明方法操作，可能导致操作者或他人严重受伤，甚至遭受生命危险。

安全信息



禁止



强制

- 请不要在夜晚或雷雨天气使用本产品，恶劣的天气环境有可能导致遥控设备失灵。
- 请不要在能见度有限的情况下使用本产品。
- 请不要在雨雪或有水的地方使用本产品。如果有液体进入到系统内部，可能会导致运行不稳定或失灵。
- 信号干扰可能导致设备失控。为保证您和他人的安全，请不要在以下地点使用本产品：
 - 1、通信基站附近或其他无线电活跃的地方
 - 2、人多的地方或道路附近
 - 3、水域附近
 - 4、高压电线或通信广播天线附近
- 当您感到疲倦、不舒服，或在摄入酒精或服食导致麻醉或兴奋的药物后，不要操作本产品。否则可能对自己或他人造成严重的伤害。
- 2.4GHz无线电波段完全不同于之前所使用的低频无线电波段。使用时请确保模型产品在您的视线范围内，大的障碍物将会阻断无线电频率信号从而导致遥控失灵模型失控。



- 在操作或使用模型后，请勿触摸任何可能发热的部位，如电池、电机等。这些部件可能非常热，容易造成严重的烧伤。
- 遥控设备使用不恰当可能导致操作者或他人严重受伤，甚至死亡。为保证您和设备的安全，请仔细阅读使用说明书并按照规定要求进行操作。
- 使用前必须确保本产品与模型安装正确，否则可能导致模型发生严重损坏。
- 关闭时，请务必先关闭接收机电源，然后关闭发射机。如果关闭发射机电源时接收机仍然在工作，将有可能导致遥控设备失控或者引擎继续工作而引发事故。
- 当遥控距离较远时，有发生失控的可能，请适当缩短遥控距离。
- 操控时，请先确认模型所有舵机的动作方向与操控方向一致。如果不一致，请调整好正确的方向。



研发背景

费迪南保时捷博士，保时捷汽车创始人，天才设计师，先后设计过甲壳虫汽车、象式坦克歼击车，82桶车，166水陆两栖车，还有世界上第一台使用轮毂电机驱动的汽车，设计思想影响至今。阿道夫希特勒，战争狂人，纳粹德国元首、总理，纳粹党党魁，第二次世界大战始作俑者，大屠杀的策划和发起者，苏联红军攻入柏林后，自知罪孽深重，1945年4月30日于地下掩体内饮弹自戕。这两个奥地利人的命运在二十世纪30年代交织在一起，希特勒当选为第三帝国元首后向德国人民做出了两项承诺：一是让每个德国家庭的晚餐上吃到牛排；二是让每个德国家庭都拥有一辆汽车。这台车有非常具体的指标，能同时搭载2个成年人和3个孩子，也就是一个标准的德国家庭，并以最快100km/h的速度行驶，而售价不能高于1000帝国马克。此后德国大兴土木修造水坝和高速公路网，在下萨克森州的沃尔夫斯堡建设KdF汽车城，并且注册了Gesellschaft zur Vorbereitung des Deutschen Volkswagens mbH汽车公司，这里后来发展为举世瞩目的大众汽车总部。这款国民车也有了正式的名字KdF-Wagen。KdF取德语Kraft durch Freunde（快乐是力量之源），是当时德国劳工阵线下属的度假组织的名称。同时政府还通过了一项储蓄计划使普通群众通过这个组织购买配给券预存车款，这被证明是希特勒设下的骗局，目的是为即将到来的战争募集资金。随后一系列的政策创造了大量就业机会，经济一时繁荣，德国风光无两，人民吃到了牛排，但等来的不是汽车，而是战争。

事实上KdF-Wagen这款人民汽车没有一台卖到人民手里，全部被征用改造为军用车辆，这其中最著名的就是Kübelwagen（2021年11月25日上市，产品编号：11241），如果您已经购买，我们不胜荣幸，如果您还没有购买，不妨从这台Type82e/87开始体验遥控仿真模型。82E使用KdF Wagen车身，底盘与Kübelwagen底盘完全一样，都是带有限滑差速器的后置后驱底盘，主要提供给高级军官使用。战后的民用版本既是后来蜚声全球的甲壳虫汽车。

严格的说Kommandeurwagen指基于Typ86 四驱底盘安装甲壳虫车身，特别提供给前线高级军官使用的座车，型号是Typ87。Type82e/87则是指基于Typ82桶车两驱底盘安装甲壳虫车身的军官车。两者外观差别是Typ87拥有更宽的挡泥板和脚踏，以更大尺寸的越野轮胎。

由于风冷发动机不需要冷却水，非常适合特带环境使用，因此被大量派往埃尔温·隆美尔领导的北非军团使用，这也是我们这款模型涂装的由来。

关于模型

我们从发动机开始，水平对置风冷四缸发动机是这台车的核心部件，这台发动机在后世多款经典车上应用，在甲壳虫上使用持续65年，截止2003年7月30日，编号21,529,464的最后一辆甲壳虫驶下位于墨西哥普埃布拉的生产线，这传奇才告一段落。初期Typ82使用985cc的发动机，后期升级为1131cc，再后来逐渐加大排量，在[]上使用了1488cc的发动机，马力比最初期扩大了一倍。水平对置发动机的气缸分布在两侧，我们在右侧气缸的位置埋下一台130电机，左侧预留了安装另一台130电机的位置，当应用在[]或者[]时可以输出大一倍的动力。发动机曲轴飞轮通过皮带连接驱动发电机，同时带动散热风扇，半圆形的风扇整流罩是一大特色，气流在里面被分配给两侧的气缸。在模型上这一切都被还原，当电机运行时，你可以透过风扇进气口观察到叶片旋转。实车有4个前进档，每个档位的最高分别速度为：1档18.4km/h；2档32.4km/h；3档54.2km/h；4档83.6km/h 在仪表盘上可以观察到对应的换挡提示红线。在模型上我们设计了2档变速，模拟实车1档和3档的速度。动力从后轴差速器上方越过后再返回输出给后轴，这个结构和实车发动机一样，好处是结构紧凑，可以方便的在四驱和后驱模式间切换，当然我们在模型上也重现了这一切换功能，在越野行驶时可以帮助我们克服更复杂的障碍，获得更多驾驶乐趣。

底盘方面，今天攀爬车市场上流行的门式车桥早在82年前就已量产，轮边减速器减速比为15:21得益于这个结构，底盘最小离地间隙达310mm，令今天市售的所有现代越野车相形见绌。真车通过加大前轴差速器齿比来平衡前后轮转速，在模型上为了通用前后轴差速器，我们的门桥减速比设定为1:1。

冲压成型的中央脊管底盘与车身固定形成坚固的承载式底盘，抗扭动性很高，中央传动轴和电器线路都隐藏在脊管内。模型上是一体注塑成型的，每一根加强筋的位置和尺寸都按照实车考证还原，力求用塑料呈现金属冲压的质感。前后轮均为使用扭杆弹簧的独立悬挂，这种悬挂的优点是行程长，占用空间小，模型上我们用扭簧代替扭杆弹簧呈现前后悬挂，更利于拆换调教。

轮胎是与桶车通用的5.25×16越野轮胎，仿真轮毂与实车一样需要用5颗螺丝固定，备胎放置在车头，打开引擎盖后即可取出使用，同时这里也是实车油箱的位置，所以电池也收纳在这里，更换非常方便。

车门当然可以打开，试试门把手，向外拉动可以带动内置的弹簧锁开启车门，关闭时你可以听到弹簧锁清脆的“卡塔”声。车门内衬雕刻有模拟织物的纹理，软胶座椅模拟实车坐垫的造型和柔软的质感，当放置1/12人偶时可以摆出逼真的坐姿，按照惯例，方向盘联动转向。

后排乘客没有单独的车门，紧急情况下后排军官往往不能快速脱离，为了在遇袭和翻车时便于逃生，在车顶开窗设置了可以折叠的软篷。在模型中我们设置了可以移除的塑料材质顶棚，雕刻了细密的编织纹来模拟布篷的质感，移除后也可以方便的摆放后排人偶。

电子系统方面，我们使用的是4通道数字比例遥控系统，除了控制转向和油门以外，第3通道控制换挡，第4通道负责切换四驱和后驱。此外还集成了灯控，正常夜间行驶时可以开启车头灯，夜间灯光管制时，可以仅开启防空灯。

包装方面我们用发泡材料模拟二战德军铁皮弹药箱，希望这不仅是一个可以经受长途运输的包装盒，还是一个便于存放和携带的收纳箱，可以被多次使用的更环保，更方便的包装箱。

由于篇幅的原因，还有一些产品功能和冗余设计无法逐一介绍，作为彩蛋期待大家自己去发现吧。最后感谢您购买产品，有任何意见和建议请发邮件至rochobby@163.com.

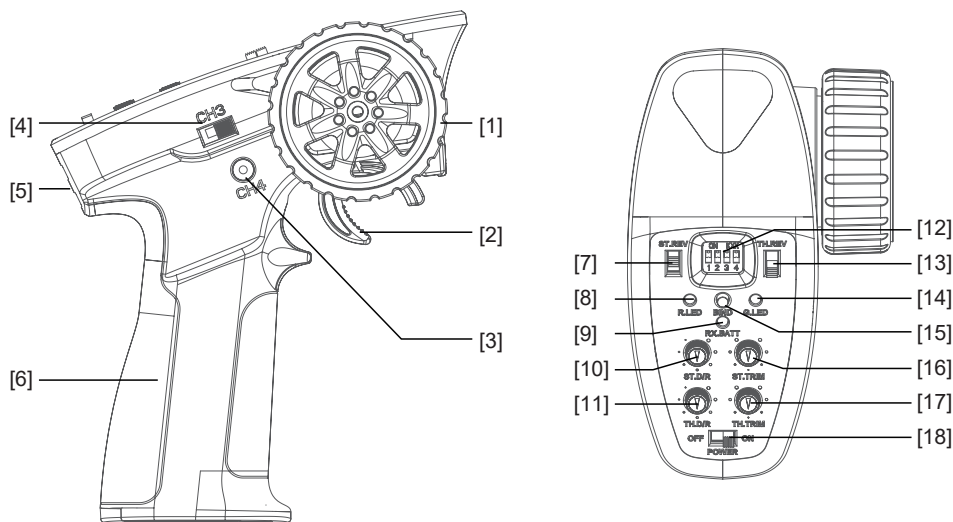
TY82研发组

2021年10月19日

发射机介绍

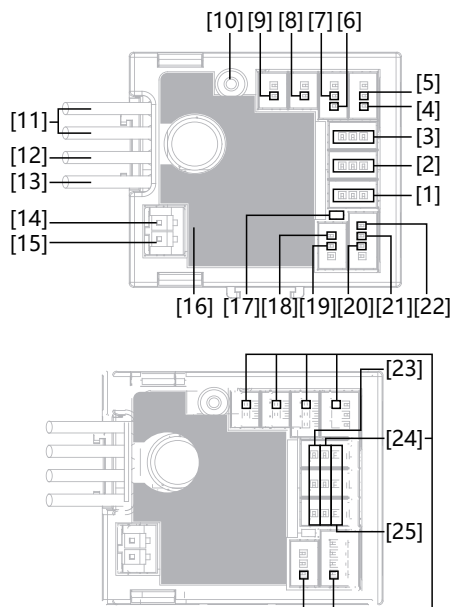
FS-R4A1采用ANT协议，是一款电调、LED灯组控制板三合一接收机，外置单天线，可输出PWM信号和车灯控制信号，能够实现双向传输，采用自动对码，设计小巧紧凑，可适配多种车型使用。

发射机概览



[1]	方向手轮，左右各35度 (CH1)	[10]	方向舵量调节旋钮 (ST.D/R)
[2]	油门扣机，前25度后12.5度 (CH2)	[11]	油门舵量调节旋钮 (TH.D/R)
[3]	按键开关CH4 (轻按为灯效功能，长按为两/四驱切换)	[12]	拨码开关 (切换电调的工作模式)
[4]	三档拨动开关 (CH3)	[13]	油门倒置开关 (TH.REV)
[5]	挂绳孔	[14]	状态指示灯绿色LED(G.LED)
[6]	手柄，4*AAA电池仓	[15]	对码按键 (BIND)
[7]	方向倒置开关 (ST.REV)	[16]	方向微调旋钮 (ST.TRIM)
[8]	电源指示灯红色LED(R.LED)	[17]	油门微调旋钮 (TH.TRIM)
[9]	电调电池电量显示双色灯 (RX.BATT)	[18]	电源开关

接收机概览



- | | |
|------------|----------------|
| [1]CH1通道接口 | [14]马达接口“ M+ ” |
| [2]CH3通道接口 | [15]马达接口“ M- ” |
| [3]CH4通道接口 | [16]贴纸 |
| [4]左转灯接口 | [17]LED指示灯 |
| [5]前灯接口 | [18]左转灯接口 |
| [6]右转灯接口 | [19]右转灯接口 |
| [7]前灯接口 | [20]倒车灯接口 |
| [8]雾灯接口 | [21]刹车灯接口 |
| [9]雾灯接口 | [22]尾灯接口 |
| [10]天线 | [23]通道信号端 |
| [11]电源开关 | [24]电源正极 |
| [12]电池线正极 | [25]电源负极 |
| [13]电池线负极 | |

产品规格

- 产品型号: FS-R4A1
- 适配遥控器: FS-MG41
- 适合机种: 车
- 通道个数: 4
- 车灯接口数: 7
- 无线频率: 2.4GHz ISM
- 无线协议: ANT(自动调频数字系统)
- 无线类型: 单天线
- 输入电源: Lipo(2S)/NiMH(5~7Cell)
- BEC输出: 6V/1A
- 持续/峰值电流: 10A/50A
- 数据输出: PWM
- 温度范围: -10°C—+60°C
- 湿度范围: 20%~95%
- 防水等级: PPX4
- 在线更新: 无
- 外形尺寸: 33mm*30mm*12mm(不含电容)
- 机身重量: 11g左右
- 认证: CE,FCC ID:N4ZR4A10

对码

本款接收机上电即自动进入对码状态。

按住遥控器的对码键并开机，即进入对码状态，此时G.LED快闪，松开“BIND”键。

- 1.接收机上电等待1秒没有连接将自动进入对码；
- 2.对码成功后，接收机LED指示灯常亮；

注：(1)对码时请先将遥控器进入对码状态，再将接收机进入对码状态，若10s内对码没有完成，接收机指示灯进入慢闪状态；(2)如果重新对码成功，车灯的所有设置将恢复默认值。

电调保护功能

本款接收机具有上电自检显示、过热报警提示、电压过低/高报警提示等多种提示功能。

- 自检显示：接收机上电瞬间所有车灯长亮1S；
- 过热报警：检测到电调内部温度超过110°C时，马达无输出，所有车灯快闪提示；当温度低于70°C时恢复正常输出；
- 电压过低/高报警：接收机进入电压过低保护时，马达无输出，所有车灯慢闪提示；接收机进入电压过高保护时，所有通道无输出，所有车灯快闪提示。

电调功能使用说明

1.连接相关设备：

连接前请确认电调开关处于关闭（OFF）状态，将电机与电调的M+/M-相连接，舵机接到电调3Pin排针接口上（“-” “+” “S” 相对应），电池与电调输入正负极对应相接。

2.正常开机，识别油门中点：

上面第一步相关设备连接好后，先打开遥控器，并将遥控器油门扳机置于中点位置（自然状态）。最后一步打开电调开关，接收机重新上电自动识别电池类型后方可运行。注意：a.电调开机后必须等到自检完成后方可运行（大约3秒），否则可能无法正常动作；b.若开机后无动力输出，请查看遥控器油门微调是否置于“0”位置，接收机重启可自动识别微调油门中点；c.若运行时发现电机转向不对，将电调接电机的两根线互换位置即可；d.为了一切正常，请养成先打开遥控器最后打开电调开关以及先关闭电调开关最后关闭遥控器的习惯。

注：关于电调的电池类型、拖刹力度和运行模式的设置详见相关配套遥控器说明书相关章节。









失控保护

此功能用于当接收机无法正常收到遥控器的信号不受控制时，保护模型和操作人员的安全。该接收机默认为油门通道固定为失控进入刹车状态，其他通道失控后接收机无信号输出，如若在遥控器上进行设置，则按照设置值输出。

注意事项：

- 使用前必须确保本产品与模型安装正确，否则可能导致模型发生严重损坏。
- 请查看各动力设备以及车架说明书，确保动力搭配合理，避免因错误的搭配导致动力系统损坏。
- 勿使系统的外部温度超过90°C /194 °F,高温将会毁坏动力系统。
- 关闭时，请务必先关闭接收机电源，然后关闭遥控器。如果关闭遥控器电源时接收机仍然在工作，将有可能导致遥控设备失控或者引擎继续工作而引发事故。
- 使用完毕后，若长时间不玩车，切记断开电池与电调的连接。如电池未断开，即使电调开关处于关闭状态，电调也会一直消耗电能（只是非常小），长时间连接电池最终会被过放，进而导致电池或电调出现故障。我们不对因此而造成的任何损害负责！
- 确保接收机安装在远离电机或电子噪声过多的区域。
- 接收机天线需远离导电材料，例如金属棒和碳物质。为了避免影响正常工作，请确保接收机天线和导电材料之间至少有1厘米以上的距离。
- 准备过程中，请勿连接接收机电源，避免造成不必要的损失。

电调参数设置

Running Mode	Battery Type	Drag Brake	
 FWD/REV/BRK	 Lipo	 0%	 75%
 FWD/REV	 NiMH	 50%	 100%

拨码开关标识

发射机上的拨码开关用于设置电调参数，即拨码开关位于不同位置对应参数值不同。

设置方法

该电调有三个参数项可以设置，分别是“运行模式(Running Mode)”、“电池类型(Battery Type)”“拖刹力度(Drag Brake)”。遥控器面板上有一列编号为1234的拨码开关，通过上下拨动可以实现对上述参数项的设置，具体操作如下：

当遥控器面板上编号为1的拨码开关位于下侧时，表示运行模式设置为前进后退带刹车(FWD/ REV/BRK)。

当遥控器面板上编号为1的拨码开关位于上侧时，表示运行模式设置为直接正反转(FWD/REV)。

当遥控器面板上编号为2的拨码开关位于下侧时，表示电池类型设置为锂电池(Lipo)。

当遥控器面板上编号为2的拨码开关位于上侧时，表示电池类型设置为镍氢(NiMH)。

当遥控器面板上编号为3的拨码开关位于下侧时，编号为4的拨码开关位于下侧时，表示拖刹力度为0%。

当遥控器面板上编号为3的拨码开关位于下侧时，编号为4的拨码开关位于上侧时，表示拖刹力度为50%。

当遥控器面板上编号为3的拨码开关位于上侧时，编号为4的拨码开关位于下侧时，表示拖刹力度为75%。

当遥控器面板上编号为3的拨码开关位于上侧时，编号为4的拨码开关位于上侧时，表示拖刹力度为100%。

参数解释

1.运行模式(Running Mode)

前进后退带刹车(FWD/REV/BRK)：此模式采用的是“双击式倒车”，即油门扳机在第一次从中点区域推至反向区域时，电机只是刹车不会产生倒车动作；当油门扳机回到中点区域并第二次推至反向区域时则产生倒车动作。此模式适用于一般车型。

直接正反转(FWD/REV)：此模式采用“单击式”倒车方式，即油门扳机从中点区域推至反向区域时电机立即产生倒车动作，该模式一般用于攀爬车等特种车辆。

设置该参数的方法：

当遥控器面板上编号为1拨码开关位于下侧，表示运行模式设置为前进后退带刹车(FWD/REV/BRK)。

当遥控器面板上编号为1拨码开关位于上侧，表示运行模式设置为直接正反转(FWD/REV)。

2.电池类型(Battery Type)

有锂电和镍氢两种选择，根据实际使用情况设置即可。设置该参数的方法：

当遥控器面板上编号为2的拨码开关位于下侧时，表示电池类型设置为锂电池。

当遥控器面板上编号为2的拨码开关位于上侧时，表示电池类型设置为镍氢。

3.拖刹力度(Drag Brake)

拖刹是指当油门扳机从正向区域或反向区域转入中点区域内时，对电机产生一定的刹车力，这样做可以模拟有刷电机的碳刷对电机转子的阻力，适合减速入弯及攀爬车应用。

设置该参数的方法：

当遥控器面板上编号为3的拨码开关位于下侧，编号为4的拨码开关也位于下侧，表示拖刹力度为0%。

当遥控器面板上编号为3的拨码开关位于下侧，编号为4的拨码开关位于上侧时，表示拖刹力度为50%。

当遥控器面板上编号为3的拨码开关位于上侧，编号为4的拨码开关位于下侧时，表示拖刹力度为75%。

当遥控器面板上编号为3的拨码开关位于上侧，编号为4的拨码开关位于上侧时，表示拖刹力度为100%。








灯光功能

按钮	车灯位置	功能	开机默认 关闭	按次数					控制方式	备注
				I	II	III	IV	V		
CH4	车头部灯	前白灯常亮		关闭	•	关闭	关闭	关闭		
		前白灯高光 常亮		关闭	关闭	•	•	关闭		
	车尾部灯	尾灯常亮		关闭	•	•	•	关闭		
		刹车时红灯 高光亮		○	○	○	○	○	油门联动控制	刹车操作时刹车灯高亮
	防空灯	前黄灯常亮		关闭	关闭	关闭	•	•		

使用前准备

开始操作前，请按照本章的顺序和指引安装电池、连接设备。

★ 发射机电池安装

-  **危险** 仅使用厂家指定的电池。
-  **危险** 请勿打开、拆卸或自行维修电池。
-  **危险** 请勿挤压、刺穿或接触电池的金属端子。
-  **危险** 请勿将电池置于高温环境或液体中。
-  **危险** 如果不按照说明方法操作，可能导致操作者或他人遭受较大伤害。
-  **危险** 请将电池存放在干燥阴凉的环境中。
-  **危险** 如果电池损坏，请立即停止使用。

电池类型使用：AAA电池

请按照以下步骤安装发射机电池：

1. 打开电池仓盖。
2. 将4颗电量充足的AAA电池装入电池仓内，确保电池上的金属端子与电池仓内的金属端子接触。
3. 盖好电池仓盖。

低电量报警：当电量低于4.2V时，面板上的LED慢闪报警提示。

操作指引

准备操作完成后，您可以按照本章指引开始使用本产品。

1. 自动对码（发射机和接收机在出厂前已对码成功）

如需更换其他的发射机或接收机请按照如下步骤进行对码：

1. 按住Bind键后，发射器电源打开，对码模式，灯不停闪亮；
2. 接收板电源打开，前车灯不停闪亮，进入对码模式；
3. 当对码成功，发射机灯全亮，车上面的灯全部关闭；

注意：对码时请先操作发射机进入对码状态，再操作接收机进入对码状态。

2. 关机

请按照以下步骤关机：

1. 断开接收机电源。
2. 将开关拨到 [OFF] 位置，使发射机关闭。



危险 关闭时，请务必先关闭接收机电源，再关闭发射机，否则可能导致模型损坏、人员受伤。

产品规格

1. 发射机规格

产品型号	FS-MG41
通道个数	4
适配模型	车、船
支持电池节数	4节AAA电池
无线频率	2.4GHzISM
发射功率	<20dBm
无线协议	ANT
遥控距离	>150m（空旷无干扰地面距离）
通道分辨率	1024 级
电池	6V DC 1.5AAA*4
充电接口	无
续航时间	依电池类型
低电压报警	<4.2V
天线类型	内置单天线
数据接口	无
温度范围	-10°C—+60°C
湿度范围	20—95%

在线更新	无
遥控器颜色	黑
外形尺寸	118mm x 73mm x 145mm
机身重量	130g
认证	CE,FCC ID:N4ZMG400

油门扳机位置

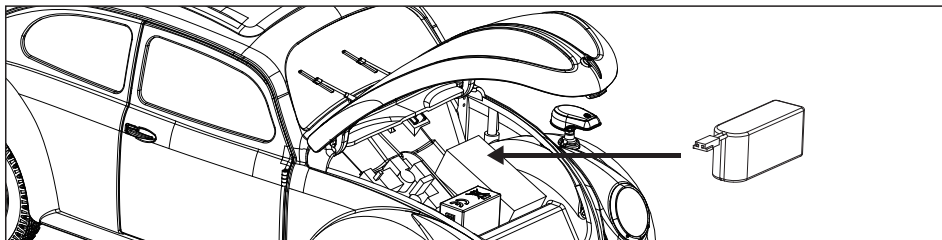


车辆设置

连接电池

步骤1: 将引擎盖打开。

步骤2: 将电池放置在电池盒中, 然后连接电池插头。



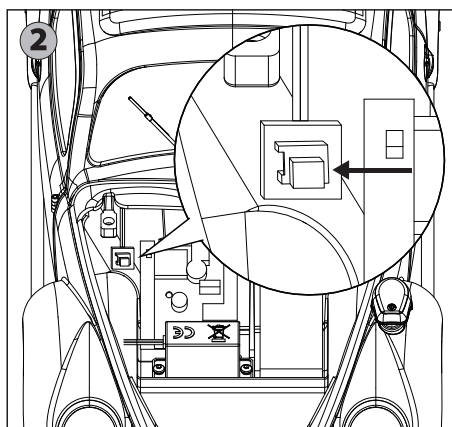
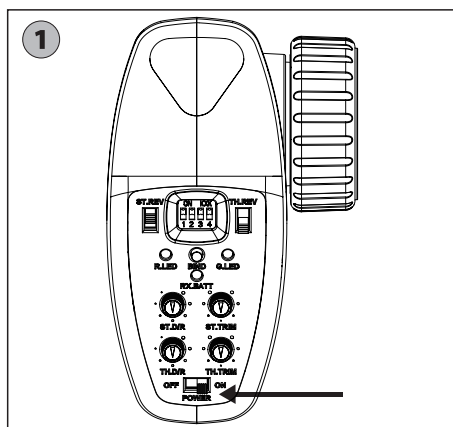
注意: 1.如果长时间不用, 请拔下电池, 以防电池损坏。2.不要打开、拆解或试图维修电池。3.电池需断开连接接收板, 才能进行充电。

车辆操作

步骤1: 打开发射器, 发射器前灯会闪亮, 进入对频模式。

步骤2: 打开接收器开关, 车前灯会闪亮, 进入对频模式。

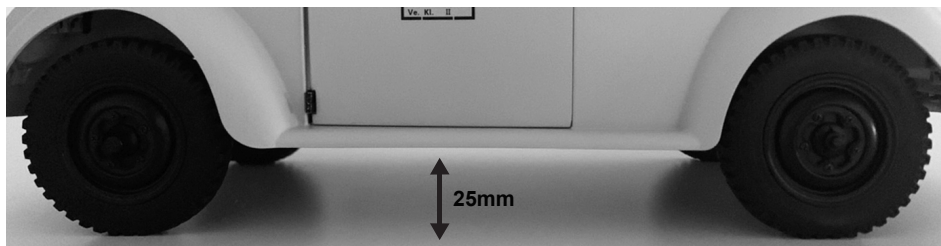
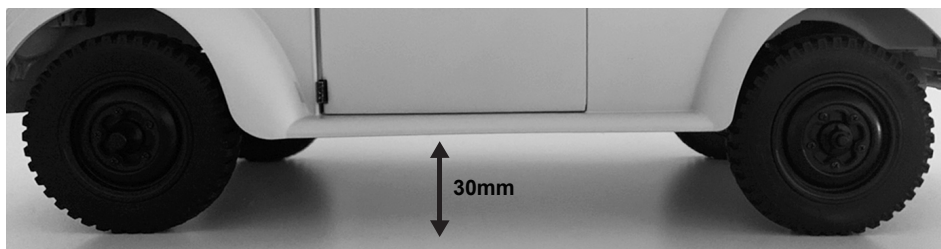
步骤3: 当发射器, 接收器对上频成功时, 发射器前灯会长亮, 车前灯会关闭。



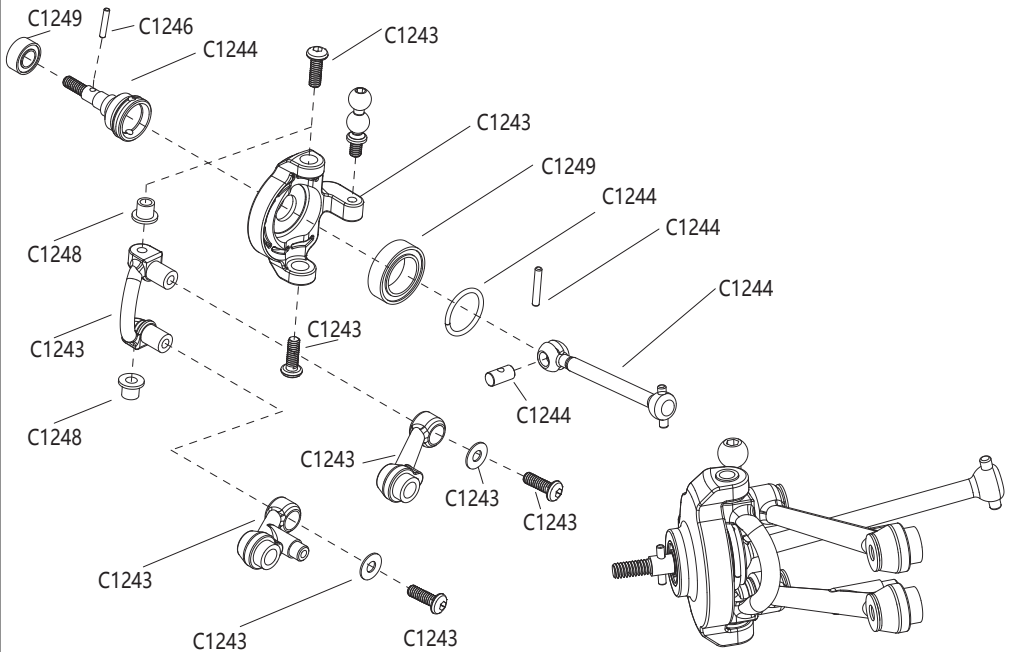
使用说明

甲壳虫是摆动轴独立悬挂，我们使用扭簧代替扭杆作为弹性元件，如扭簧过硬，撑起全部车重，那么行走就极为弹跳不仿真。所以我们选择偏软并施加预紧的扭簧，这个设定会出现静态时前后悬挂不回弹的情况，这是正常的，可以获得更好的行驶姿态。

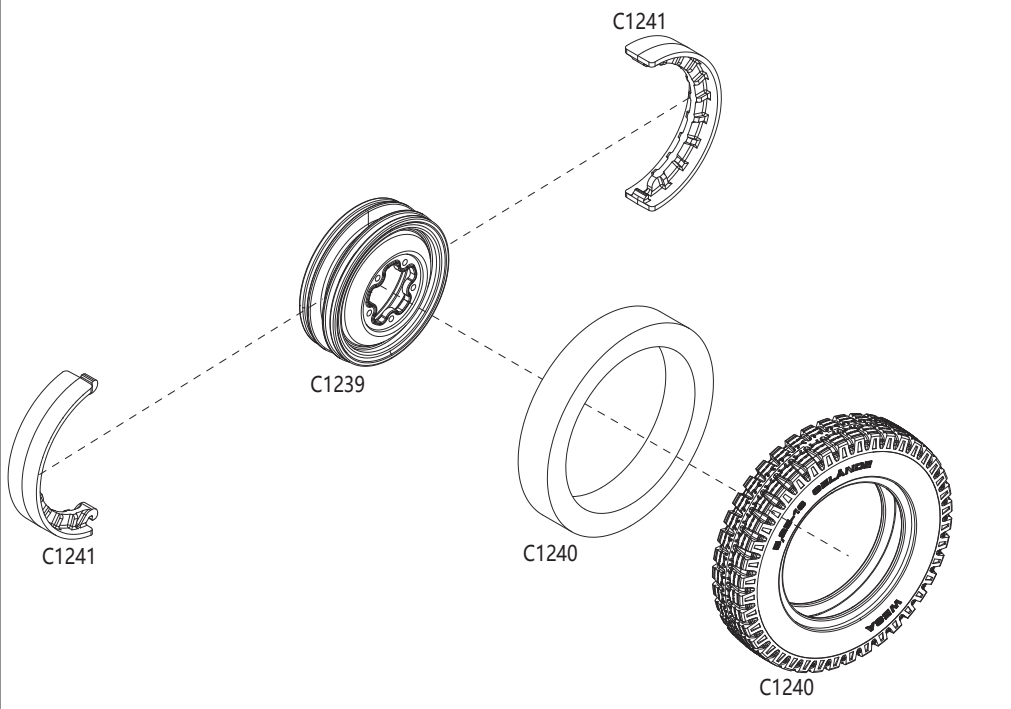
实车空载最大离地间隙为310mm（缩比25.8mm）为了满足遥控越野的性能要求，考虑到搭载人偶的额外重量，模型中设定的空载最大离地间隙是30mm，满载25mm，在不同载荷工况下都能呈现更为仿真的行走姿态。



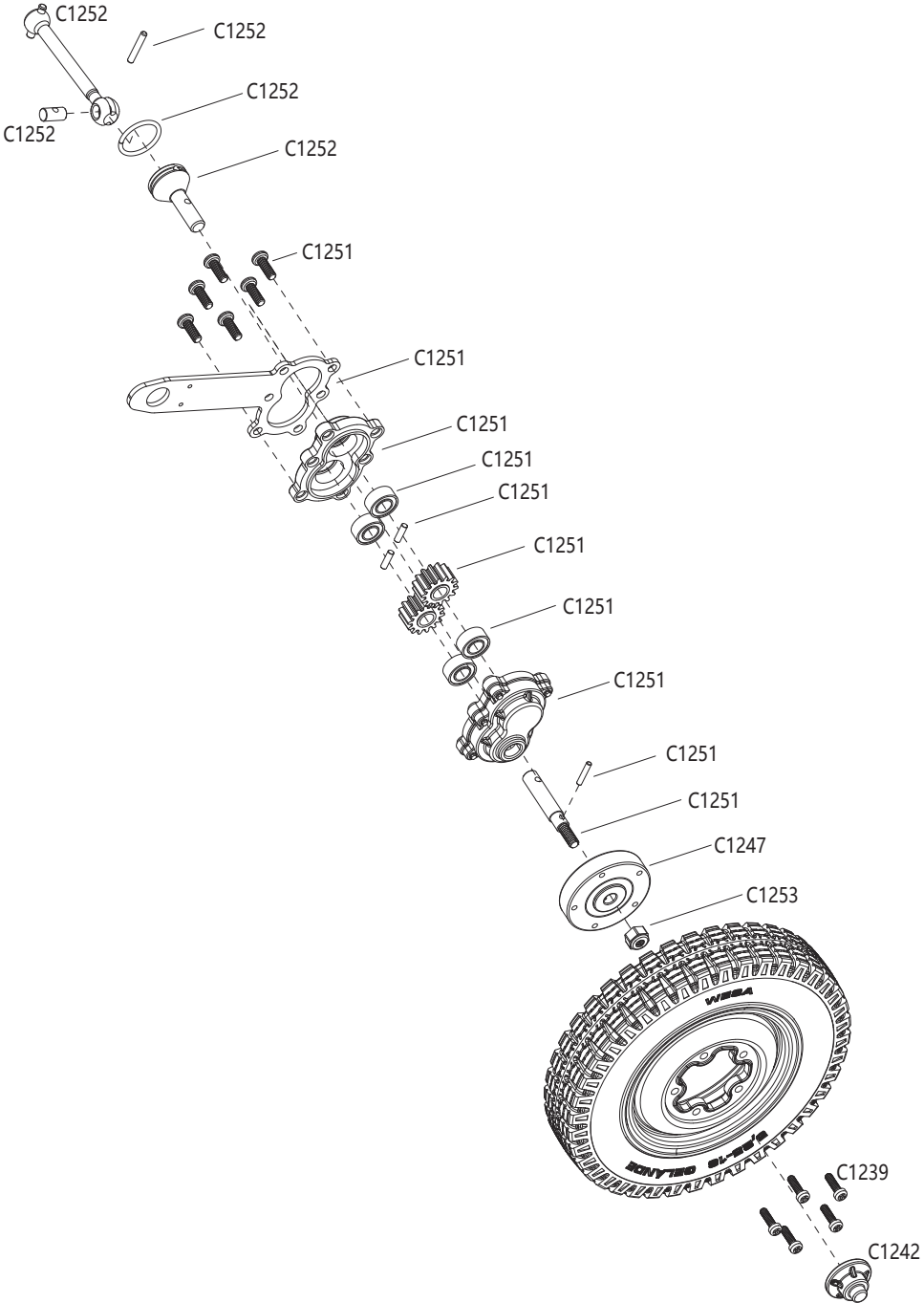
(EN)FRONT GUIDE (DE)VORDERACHSE (FR)DIRECTION AVANT (CN)前导向



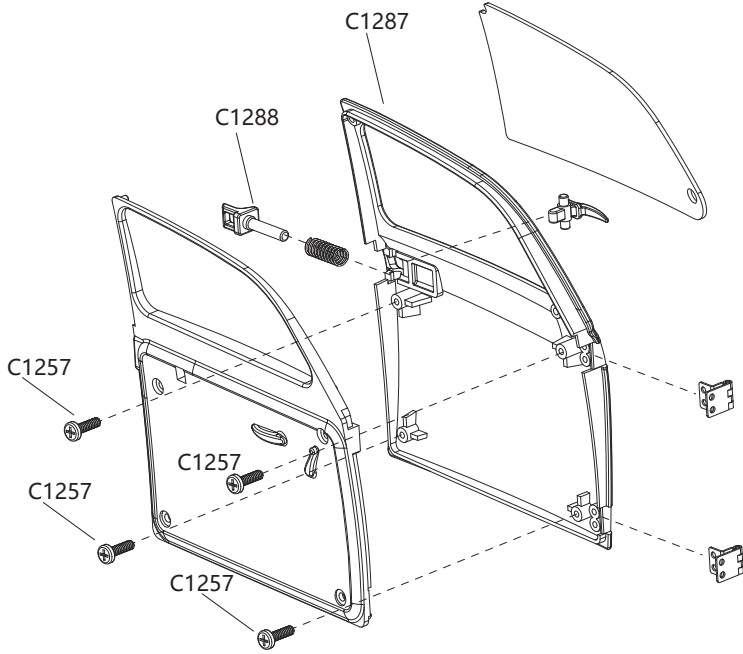
(EN)TIRE SET (DE)REIFEN-SET (FR)ENSEMBLE JANTE ET PNEU (CN)轮胎组



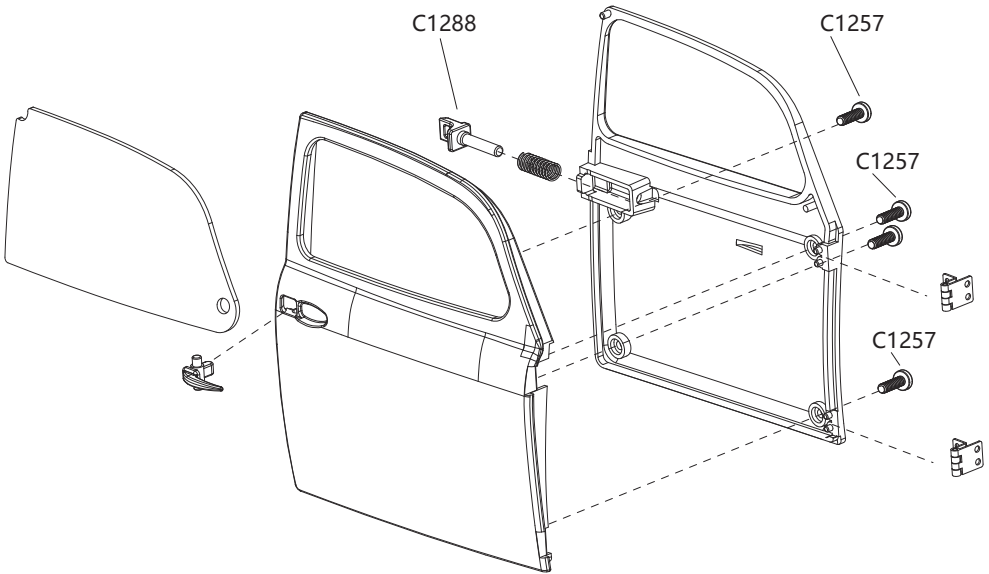
(EN)REAR-AXLE SET (DE)HINTERACHSE (FR)ENSEMBLE ESSIEU ARRIÈRE
(CN)后轮轴组

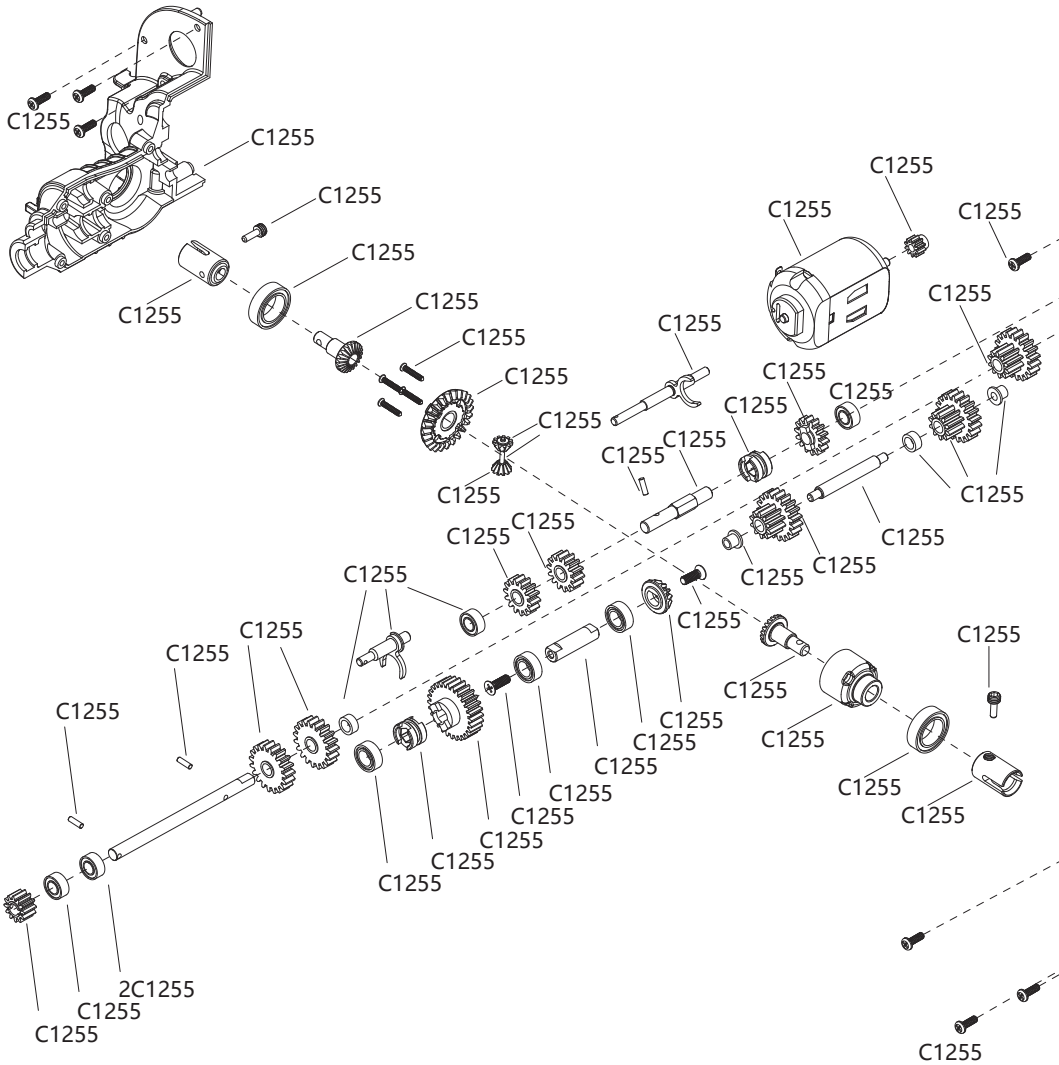


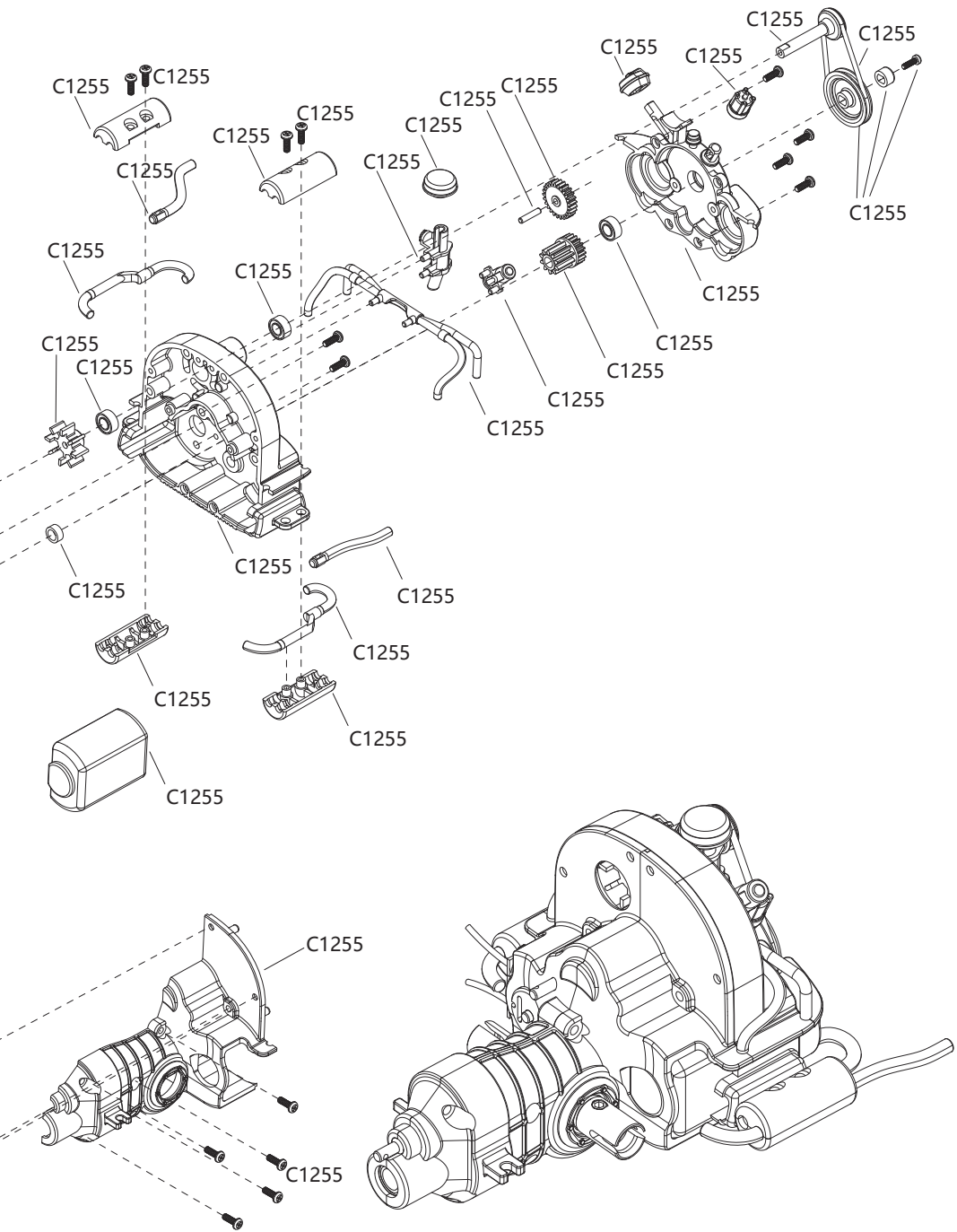
(EN)LEFT DOOR (DE)LINKE TÜR (FR)PORTE GAUCHE (CN)左车门



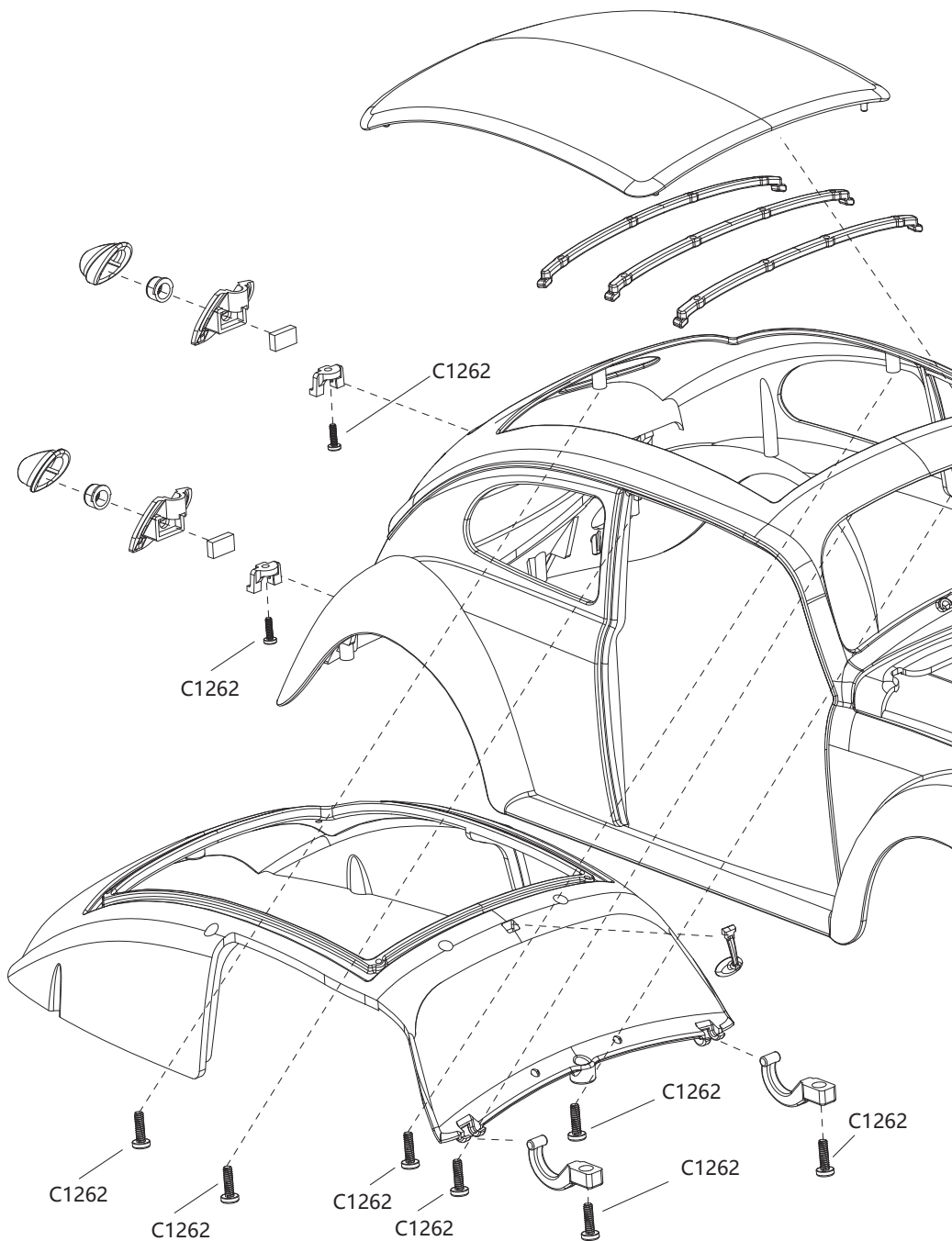
(EN)RIGHT DOOR (DE)RECHTE TÜR (FR)PORTE DROITE (CN)右车门

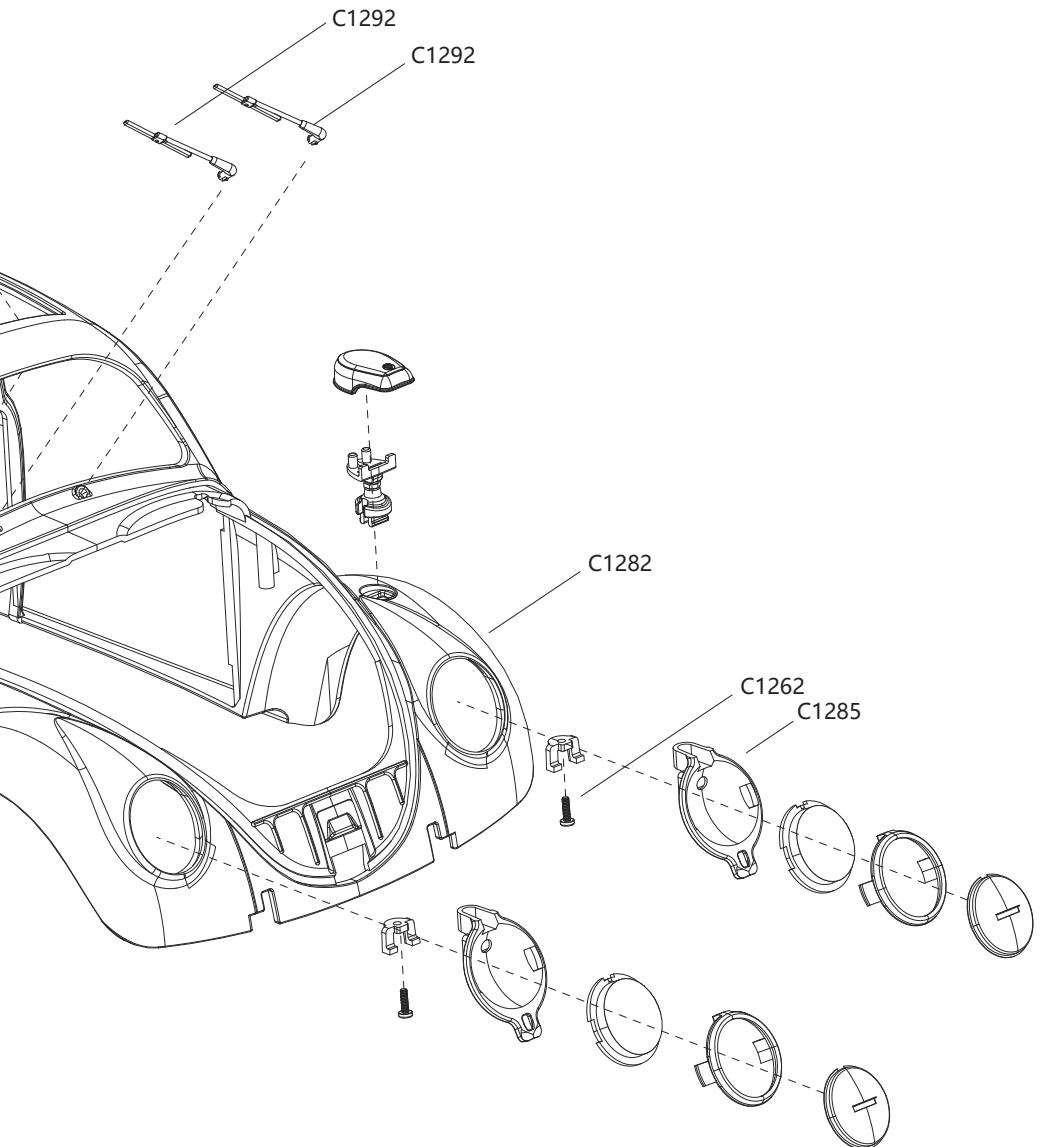


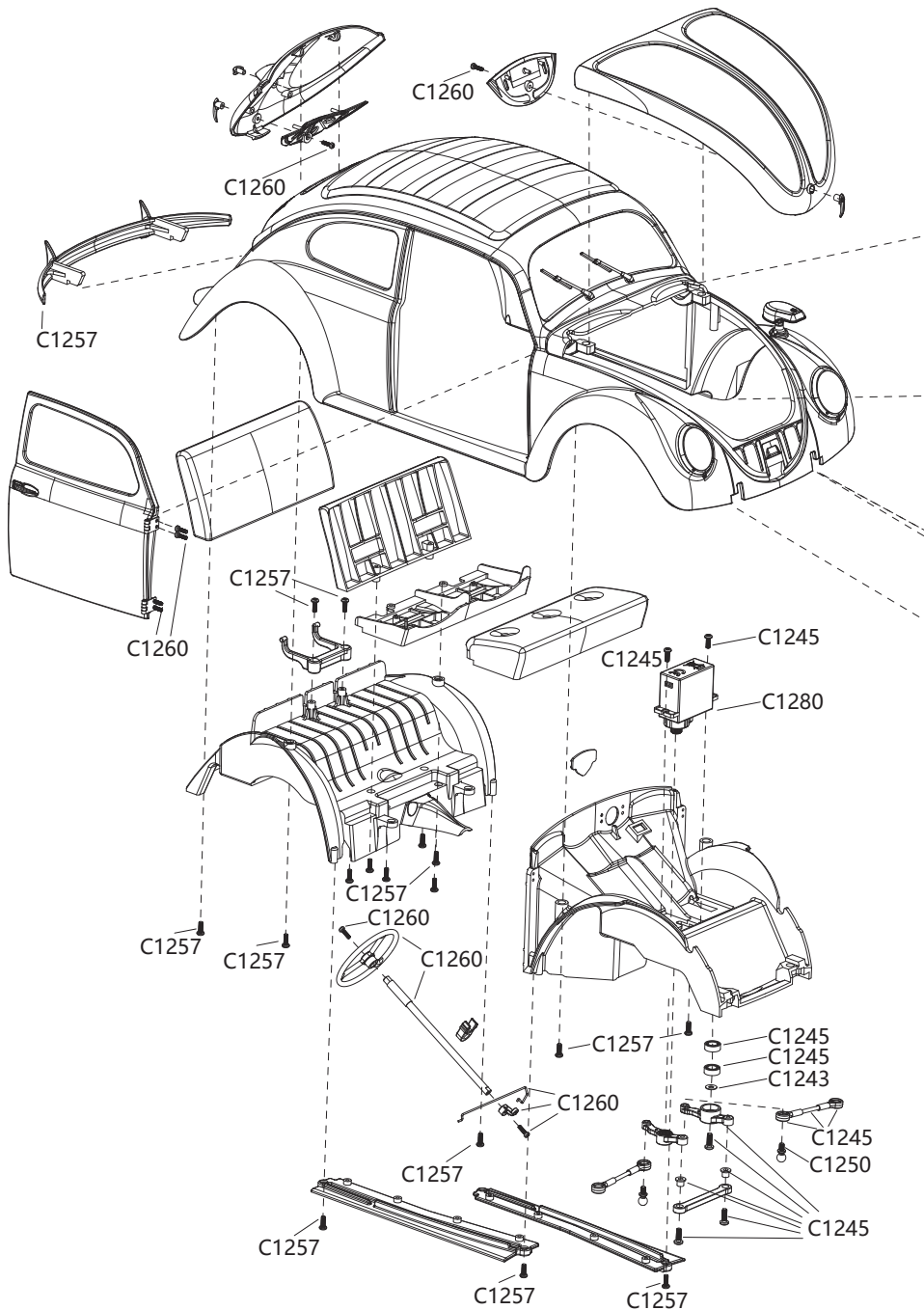


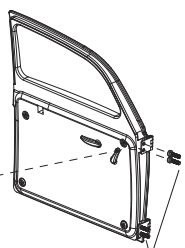


(EN) CAR BODY ASSEMBLY (DE) KAROSSERIE MONTAGE
(FR) ENSEMBLE BASE CARROSSERIE (CN) 车壳组半成品

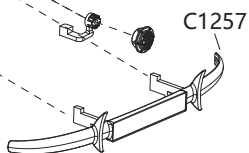






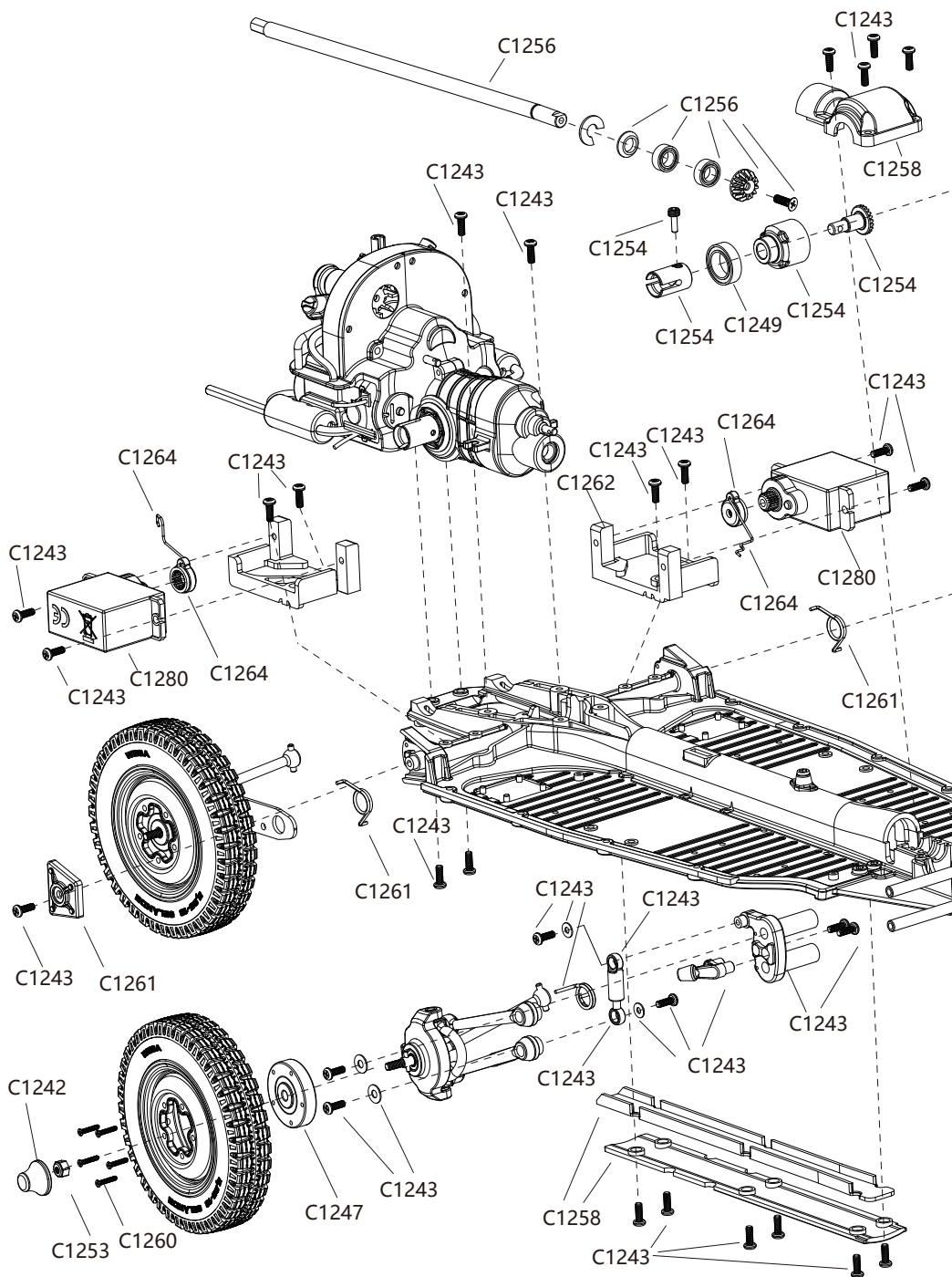


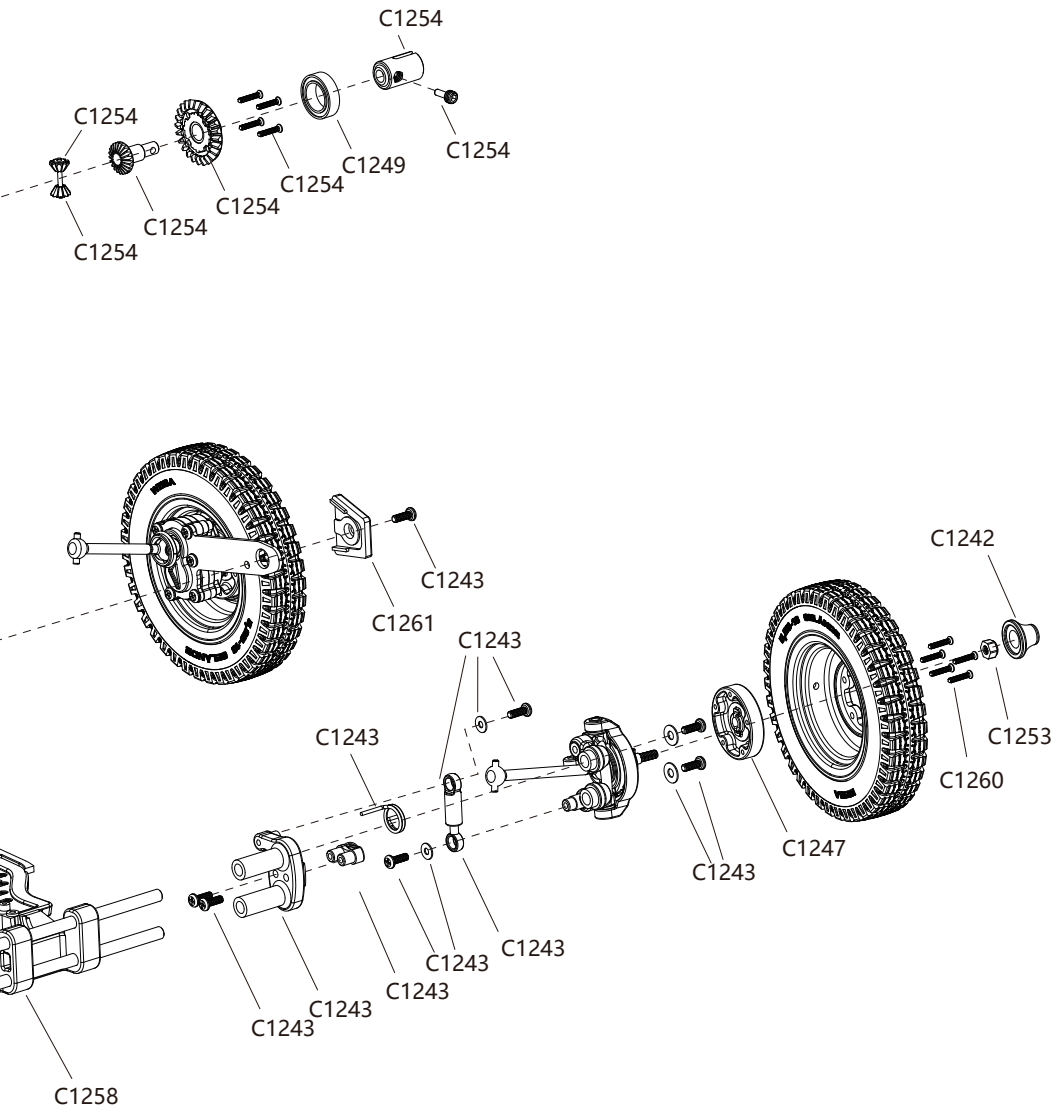
C1260



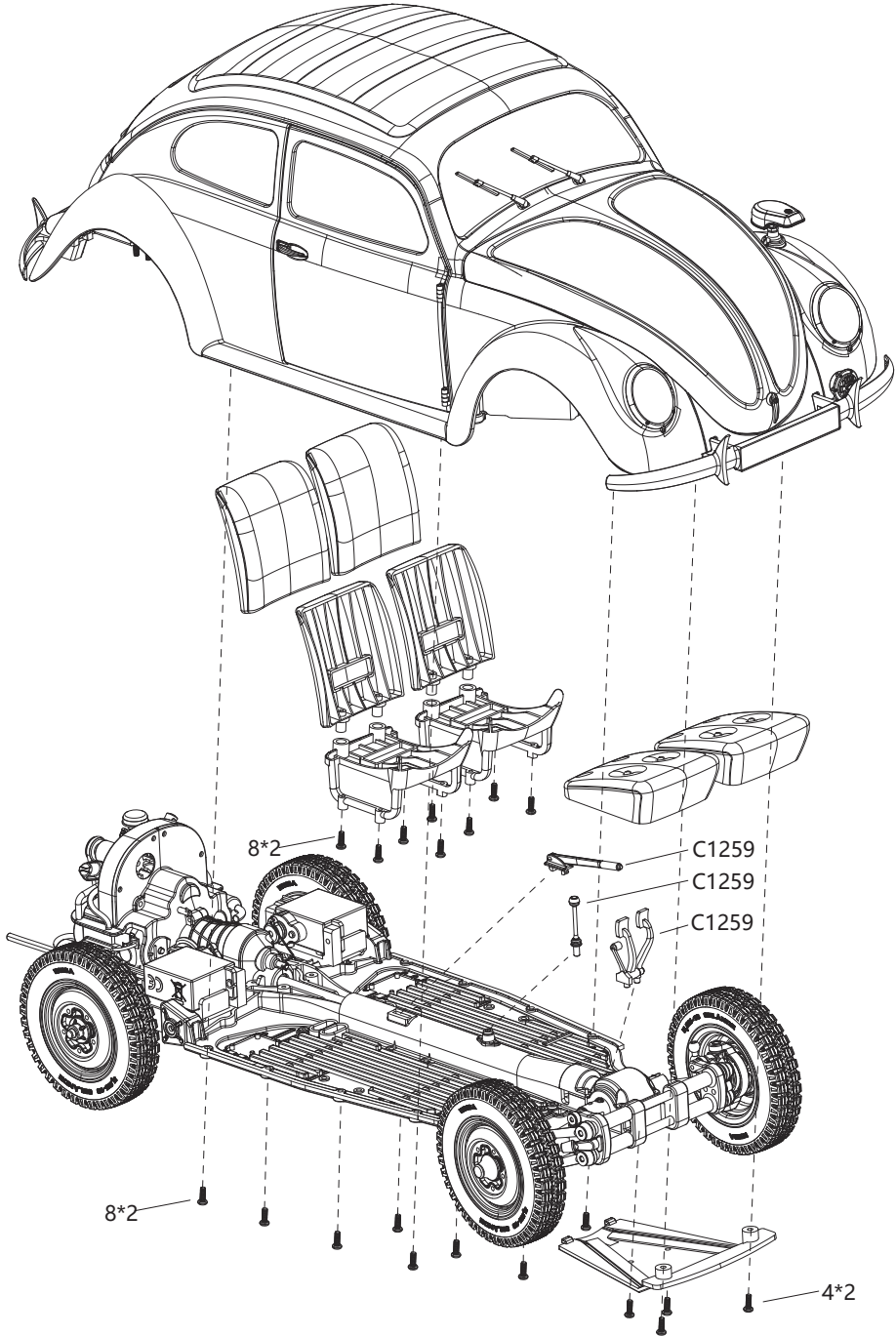
C1257

(EN)CHASSIS (DE)CHASSIS (FR)CHÂSSIS (CN)车底组





(EN)COMPLETE VEHICLE SET (DE)KOMPLETTER FAHRZEUGSATZ
 (FR)VÉHICULE COMPLET (CN)整车组



"S" for spare part

"O" for optional part

PART NUMBER	PRODUCT DESCRIPTION	S/O
C1239	11241 / 11242 WHEELS	S
C1240	11241 / 11242 TIRE WITH FOAM	S
C1241	11241 / 11242 TIRE BRACKET	S
C1242	11241 / 11242 WHEELS COVER	S
C1243	11241 / 11242 FRONT STEERING C HUB PARTS	S
C1244	11241 / 11242 FRONT WHEEL CVD SHAFT	S
C1245	11241 / 11242 STREERING LINK SET	S
C1246	11241 / 11242 WHEEL SHFT PIN	S
C1247	11241 / 11242 WHEEL ADAPTOR	S
C1248	11241 / 11242 BUSHING	S
C1249	11241 / 11242 BEARING	S
C1250	11241 / 11242 4MM BALL SHFT	S
C1251	11241 / 11242 REAR WHEEL RETARD GEAR BOX PARTS	S
C1252	11241 / 11242 REAR WHEEL CVD SHAFT	S
C1253	11241 / 11242 M2 SCREW NUT	S
C1254	11241 / 11242 DIFFERENTIAL SET	S
C1255	11241 / 11242 GEAR BOX SET	S
C1256	11241 / 11242 TRANSMISSION SHAFT	S
C1257	11241 / 11242 BUMPER SET	S
C1258	11241 / 11242 CHASSIS	S
C1259	11241 / 11242 GEAR SHIFT OPERATING ROD AND GAS PEDAL	S
C1260	11241 / 11242 STEERING WHEEL SET	S
C1261	11241 / 11242 SHOCK ABSORBERS SPRING SET	S
C1262	11241 / 11242 GEAR SHIFT SERVO AND 2WD-4WD SERVO MOUNT	S
C1263	11241 / 11242 PLANK SET	S
C1264	11241 / 11242 SERVO HORN SET	S
C1282	11242 CAR BODY	S
C1283	11242 REAR DOOR SET	S
C1284	11242 REAR SEAT	S
C1285	11242 LIGHT CUP SET	S
C1286	11242 HOOD	S
C1287	11242 L/R DOOR PLASTIC SET	S
C1288	11242 L/R DOOR MOUNT AND LOCK	S
C1289	11242 FRONT/REAR WHEEL ARCH SET	S
C1290	11242 BUMPER SET	S
C1291	11242 INSTRUMENT PANEL	S
C1292	11242 WINDOW AND WIPER	S
C1293	11242 MIRROR SET	S
C1277	MG41 + R4A Transmitter Receiver Set V3	S
C1278	MG41 Transmitter V3	S
C1279	R4A Receiver V3	S
C1280	9g SERVO Wire: 270mm	S
C1281	130 MOTOR	S

"E" für Ersatzteil

"O" für optionales Teil

BEST.-NR	PRODUKTBEZEICHNUNG	E/O
C1239	1:12 - FELGE	E
C1240	1:12 - REIFEN MIT SCHAUMEINLAGE	E
C1241	1:12 - REIFENHALTERUNG	E
C1242	1:12 - RADKAPPE	E
C1243	1:12 - ACHSSCHENKEL VORNE / C-HUB	E
C1244	1:12 - KARDANWELLE VORNE	E
C1245	1:12 - SPURSTANGE	E
C1246	1:12 - RADMITNEHMERBOLZEN	E
C1247	1:12 - RADMITNEHMER	E
C1248	1:12 - BUCHSE	E
C1249	1:12 - KUGELLAGER	E
C1250	1:12 - KUGELKOPF 4MM	E
C1251	1:12 - VORGELEGE HINTERACHSE	E
C1252	1:12 - KARDANWELLE HINTEN	E
C1253	1:12 - M2 MUTTER	E
C1254	1:12 - DIFFERENTIAL SET	E
C1255	1:12 - GETRIEBE SET	E
C1256	1:12 - STECKACHSE	E
C1257	1:12 - UNTERFAHRSCHUTZ VORNE	E
C1258	1:12 - CHASSIS	E
C1259	1:12 - PEDALE / SCHALTHEBEL	E
C1260	1:12 - LENKRAD SET	E
C1261	1:12 - DÄMPFERFEDER SET	E
C1262	1:12 - SCHALTSERVO / HALTERUNG	E
C1263	1:12 - BODENVERKLEIDUNG	E
C1264	1:12 - SERVOHEBEL SET	E
C1282	KOMMANDEURSWAGEN TYPE87 - KAROSSERIE	E
C1283	KOMMANDEURSWAGEN TYPE87 - HINTERE TÜR SET	E
C1284	KOMMANDEURSWAGEN TYPE87 - HINTERE SITZBANK	E
C1285	KOMMANDEURSWAGEN TYPE87 - SCHEINWERFER	E
C1286	KOMMANDEURSWAGEN TYPE87 - MOTORHAUBE	E
C1287	KOMMANDEURSWAGEN TYPE87 - L/R TÜRGRIF / PFOSTEN	E
C1288	KOMMANDEURSWAGEN TYPE87 - L/R TÜRSCHARNIER	E
C1289	KOMMANDEURSWAGEN TYPE87 - RADHAUS V/H	E
C1290	KOMMANDEURSWAGEN TYPE87 - STOSSSTANGE HINTEN	E
C1291	KOMMANDEURSWAGEN TYPE87 - ARMATURENBRETT	E
C1292	KOMMANDEURSWAGEN TYPE87 - FENSTER / WISCHER	E
C1293	KOMMANDEURSWAGEN TYPE87 - SPIEGELSET	E
C1277	1:12 - MG41SENDER / R4A EMPFÄNGER SET V3	E
C1278	1:12 - SENDER V3 MG41	E
C1279	1:12 - EMPFÄNGER V3 R4A	E
C1280	1:12 - 9GR. SERVO 270MM KABEL	E
C1281	1:12 - 130ER MOTOR	E

"R" pour pièce de rechange

"O" pour pièce en option

RÉFÉRENCE	DÉSIGNATION	R/O
C1239	11241 / 11242 - ROUES	R
C1240	11241 / 11242 - PNEU AVEC MOUSSE	R
C1241	11241 / 11242 - SUPPORT DE ROUE	R
C1242	11241 / 11242 - CACHE DE ROUE	R
C1243	11241 / 11242 - PIÈCES DU BOÎTIER DE DIRECTION AV	R
C1244	11241 / 11242 - ARBRE DE TRANSMISSION CVD DE ROUE AVANT	R
C1245	11241 / 11242 - JEU DE BIELLETES DE DIRECTION	R
C1246	11241 / 11242 - PION D'AXE DE ROUE	R
C1247	11241 / 11242 - ADAPTATEUR DE ROUE	R
C1248	11241 / 11242 - PALIER	R
C1249	11241 / 11242 - ROULEMENT	R
C1250	11241 / 11242 - ROTULE DE 4 MM	R
C1251	11241 / 11242 - PIÈCES DE BOÎTIER DE TRANSMISSION D'ESSIEU ARRIÈRE.	R
C1252	11241 / 11242 - ARBRE DE TRANSMISSION CVD DE ROUE ARRIÈRE	R
C1253	11241 / 11242 - VIS ECROU M2	R
C1254	11241 / 11242 - ENSEMBLE DIFFÉRENTIEL	R
C1255	11241 / 11242 - ENSEMBLE BOÎTIER DE TRANSMISSION	R
C1256	11241 / 11242 - ARBRE DE TRANSMISSION	R
C1257	11241 / 11242 - ENSEMBLE PARE-CHOCS	R
C1258	11241 / 11242 - CHÂSSIS	R
C1259	11241 / 11242 - LEVIER DE CHANGEMENT DE VITESSES ET PÉDALE D'ACCÉLÉRATEUR	R
C1260	11241 / 11242 - ENSEMBLE VOLANT	R
C1261	11241 / 11242 - JEU DE RESSORTS D'AMORTISSEURS	R
C1262	11241 / 11242 - SERVO DE CHANGEMENT DE RAPPORT ET SUPPORT DE SERVO 2WD-4WD	R
C1263	11241 / 11242 - JEU DE PLANCHES	R
C1264	11241 - JEU DE PALONNIERS DE SERVOS	R
C1282	11242 - CARROSSERIE	R
C1283	11242 - ENSEMBLE PORTE ARRIÈRE	R
C1284	11242 - SIÈGE ARRIÈRE	R
C1285	11242 - JEU DE BOÎTIERS DE PHARES	R
C1286	11242 - CAPOT	R
C1287	11242 - SET PLASTIQUE PORTES GAUCHE/DROITE	R
C1288	11242 - SUPPORTS ET VERROUS DE PORTES GAUCHE/DROITE	R
C1289	11242 - JEU D'AILES DE ROUES AVANT ET ARRIÈRE	R
C1290	11242 - JEU DE PARE-CHOCS	R
C1291	11242 - TABLEAU DE BORD	R
C1292	11242 - CADRE DE FENÊTRE ET ESSUIE-GLACE	R
C1293	11242 - JEU DE RÉTROVISEURS	R
C1277	ENSEMBLE ÉMETTEUR ET RÉCEPTEUR MG41 + R4A V3	R
C1278	EMETTEUR MG41 V3	R
C1279	RÉCEPTEUR R4A V3	R
C1280	SERVO 9 G, LONGUEUR DE FIL 270 MM	R
C1281	MOTEUR 130	R

"S" 为配件

"O" 为升级件

PART NUMBER	PRODUCT DESCRIPTION	S/O
C1239	11242 车轮毂	S
C1240	11242 轮胎配海棉	S
C1241	11242 轮胎夹	S
C1242	11242 轮盖	S
C1243	11242 转向C座套件	S
C1244	11242 前轮CVD轴套件	S
C1245	11242 转向连杆	S
C1246	11242 前轮轴针	S
C1247	11242 轮毂接合器	S
C1248	11242 隔套	S
C1249	11242 轴承	S
C1250	11242 4MM球轴	S
C1251	11242 后轮慢速器套件	S
C1252	11242 后轮CVD轴套件	S
C1253	11242 M2螺母	S
C1254	11242 差速器	S
C1255	11242 变速箱总成	S
C1256	11242 中传动轴	S
C1257	11242 前后防撞	S
C1258	11242 车底盘	S
C1259	11242 换挡杆/油门踏板	S
C1260	11242 方向盘套件	S
C1261	11242 减震器弹簧	S
C1262	11242 换挡及2-4驱动舵机固定座	S
C1263	11242 木板	S
C1264	11242 舵机机臂	S
C1282	11242 车壳	S
C1283	11242 车尾门	S
C1284	11242 后座椅	S
C1285	11242 灯杯	S
C1286	11242 前盖板	S
C1287	11242 左/右车门 胶件	S
C1288	11242 左/右车门锁	S
C1289	11242 前/后轮罩拱	S
C1290	11242 防撞	S
C1291	11242 仪表盘	S
C1292	11242 车窗/雨刮	S
C1293	11242 后视镜	S
C1277	MG41 + R4A 发射接受套装	S
C1278	MG41 发射器 V3	S
C1279	R4A 接收器 V3	S
C1280	9g 舵机 线长:270mm	S
C1281	130电机	S