



1:12 UDISPORT 4X4 OFFROAD TRUCK OPERATING INSTRUCTIONS

FULL PROPORTIONAL REMOTE CONTROL UDIRACING SERIES

V2.0



*This product is suitable for users over 14 years old.
Please read this instruction manual carefully before use.*

Important Notice

Our company's products are improving all the time, design and specifications are subject to change without notice. All the information in this manual has been carefully checked to ensure accuracy, if any printing errors, our company reserve the final interpretation right.

THANK YOU

- Thank you for choosing this product. The remote control model is designed to be fun to drive and uses high quality parts to improve durability and performance. The instruction manual you are reading is to make the product easier to understand and explain more thoroughly. We hope you enjoy this remote control model car. If you have any problems or need help, please call us and we will try our best to help you. You can also contact us through the following website: www.udirc.com.
- This is a radio control model product, not a toy! which needs regular maintenance to obtain the best performance. If you don't do regular maintenance, it can affect performance. We have all the necessary parts and accessories to ensure that your vehicle maintains its best performance.
- The warning or attention symbol will alert you to potentially dangerous steps. Please read and understand the instructions carefully before proceeding.



WARNING



ATTENTION

Failure to follow these instructions may result in injury to yourself or others. You may also cause property damage or model damage.



WARNING

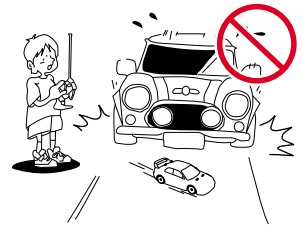
- The model must stop immediately and check for the reasons when it is operating abnormal.
- Keep in mind that people around you may also operate a radio control model.
- The motor is a heating part, please do not touch it.
- If you don't use the model for a long time, please raise the chassis to let the wheels hang in the air.
- Please keep the package or instructions as they contain important information.



- The product contains small and sharp parts. Keep away from children.



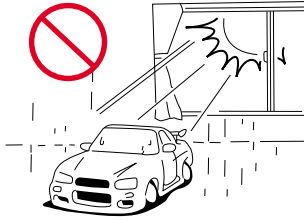
- Be sure to read the instruction manual in detail, or ask for the person with experience in operation, and read with the guardian if necessary.



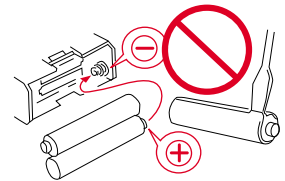
- DO NOT operate in public streets or crowded places to avoid accidents.



- Cutters, nippers and screwdrivers need careful handling.



- DO NOT put the model in high temperature, humidity and direct sunlight.



- Please don't reverse contact or disassemble the battery, as this way will cause the battery to explode.



WARNING

- Before Operation**
- Read the instruction manual in detail, or ask for the person with experience in operation, and read with the guardian if necessary.
 - Make sure all screws and nuts are properly tightened.
 - The remote control and the vehicle should always use the battery with saturated power to avoid losing control of the model.
 - Please make sure that the throttle trigger is in the center position.
- During Operation**
- First turn on the power of the remote control, and then turn on the power of the model.
 - Use this product only in open areas (>5x5m) without pedestrians.
 - DO NOT put fingers or any objects inside rotating and moving parts.
- After Operation**
- First turn off the model power, then turn off the remote control power. And take out the battery.
 - Daily maintenance is required after the model is used.



**Battery
safety**

- Please read and observe all precautions before use. Improper use of battery may cause danger.
 - It is normal for the battery to heat up after operation. Please be careful when handling the battery. If the wire is worn, it is easy to short circuit and cause fire.
 - Wasted li-ion battery must not be placed with household trash. please contact local environmental or waste agency or the supplier of your model or your nearest li-ion battery recycling center.
- 1) After use, please disconnect the power supply and pull out the plug;
 - 2) Remove the battery from the model before charging;
 - 3) DO NOT charge the battery when it is bulging or expanding;
 - 4) Keep away from damp, corrosive environment and heat source;
 - 5) Please charge the battery under adult supervision;
 - 6) Pay attention to the polarity of the battery when installing or replacing the battery;
 - 7) Different types of batteries or old and new batteries should not be mixed;
 - 8) DO NOT short circuit any terminals;
 - 9) DO NOT short circuit, decompose or put the battery into fire;
 - 10) Please use the attached special charger to charge the battery.

WARNING

Warning: The product should only be used by adults and children over 14 years.

Adult supervision is required for children under 14 years.

Hinweis: Dieses Produkt ist für die Erwachsene und die Kinder ab 14 Jahren.

Die Kinder unter 14 Jahren müssen von Erwachsenen beaufsichtigt werden.

Avertissement: Ce produit est destiné aux adultes et aux enfants de plus de 14 ans.

Les enfants de moins de 14 ans doivent être surveillés par des adultes.

Avvertimento: Questo prodotto è destinato all'uso per i adulti e bambini di età superiore ai 14 anni.

I bambini di età inferiore ai 14 anni devono essere sorvegliati da un adulto.

Advertencia: Este producto es para adultos y niños mayores de 14 años.

Los niños menores de 14 años deben ser supervisados por adultos.

警告: この製品は、大人と14歳以上の子供には使用対象です。

14歳未満の子供は大人の監視が必要です。

اماع 14 نس قوف لافسطلال او ني غلابلا لبق نم طقف جت نجلما مادختسا بجي ريذحت

اماع 14 نس نود لافسطلال بولطم رابنكلنا فارشا.



DANGER!

**Only suitable
for age 14+**

Product maintenance

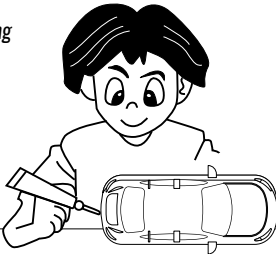
When not in use, remove the battery from the model and transmitter.



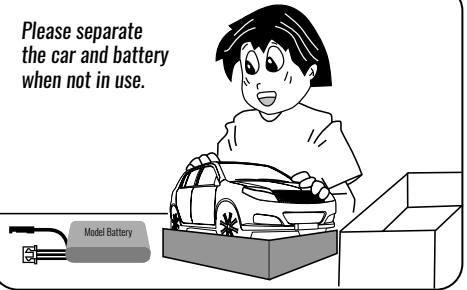
Please remove the sediment and dirt on the car completely and must be kept dry after play.



Apply lubricating oil to external metal parts.



Please separate the car and battery when not in use.

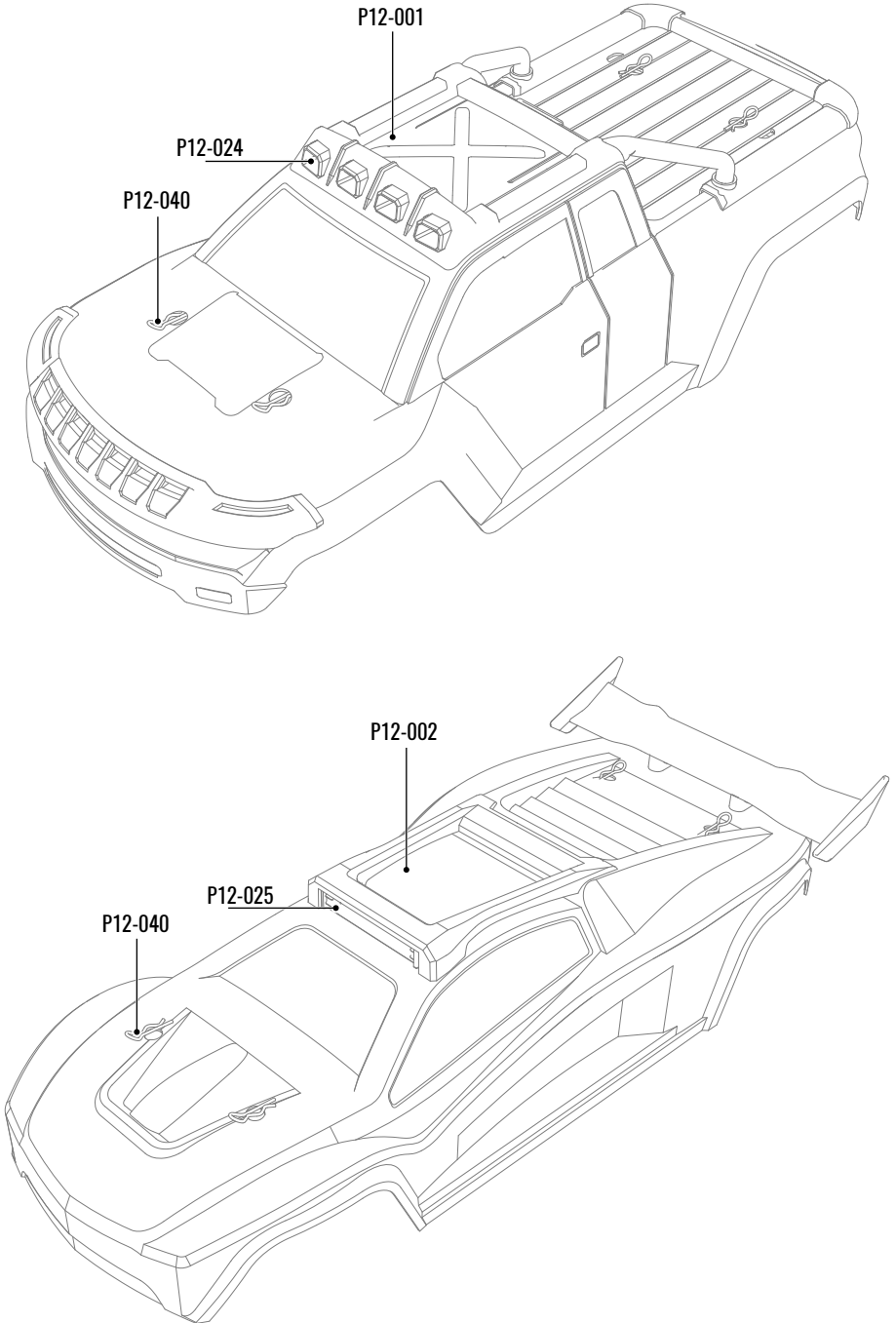


Troubleshooting

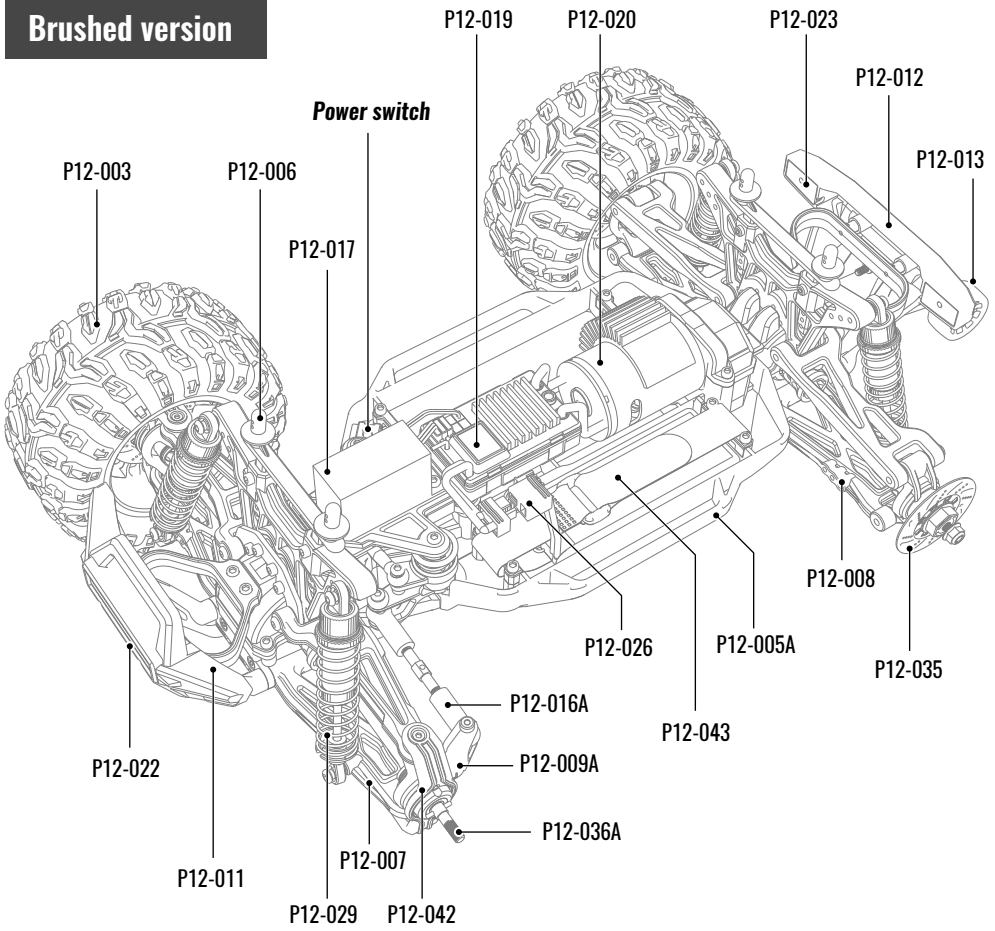
Cause	Solution
Remote control car doesn't work	When the battery is low, charger it in time or replace it with new battery.
	Please make sure the wheel or drive shaft is entangled by debris and remove it.
	The motor may have reached the expiration date, replace with the same motor.
	Please keep the car within effective control distance.
	When the battery of the transmitter in low battery, please replace it in time.
	Check whether all parts of the model car are damaged and replace them. High temperature protection is triggered when the ESC's temperature is too high, Please pause for 10 minutes before using.
Long frequency matching time	The signal is disturbed, restart the car and the transmitter.
Operation delay	Please make sure there are obstacles or interferences.
The vehicle moves forward (backward) automatically or makes a sound of "en...."	Restart the transmitter
The indicator of the transmitter is not bright	Please make sure the battery is installed correctly or replace it with a new one.
	If the transmitter doesn't work, please replace it with a new one.
The steering of the model car has no force or function	Increase the percentage of steering.
	Please make sure the steering is it include the sundries or some parts damaged.

Model Car Summary

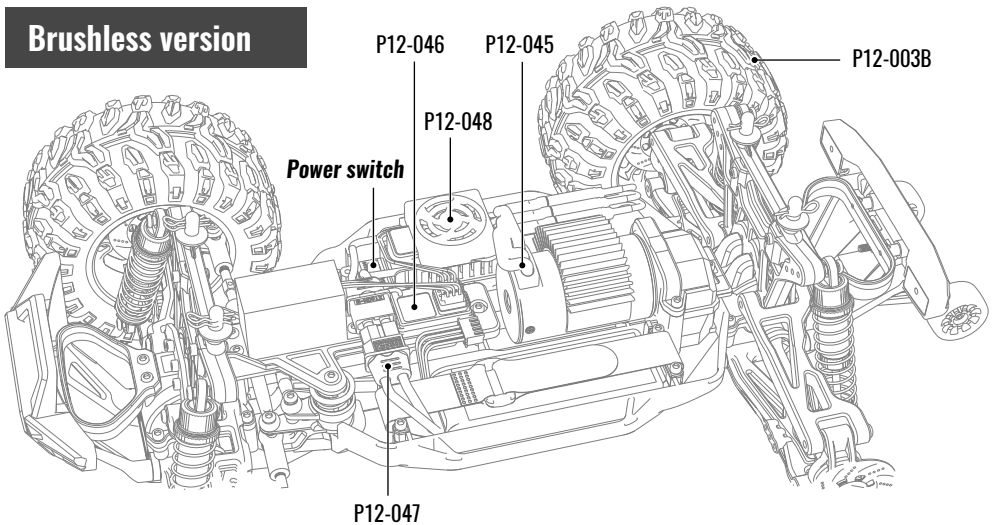
Accessories vary by model, the products obtained from sales shall prevail.



Brushed version

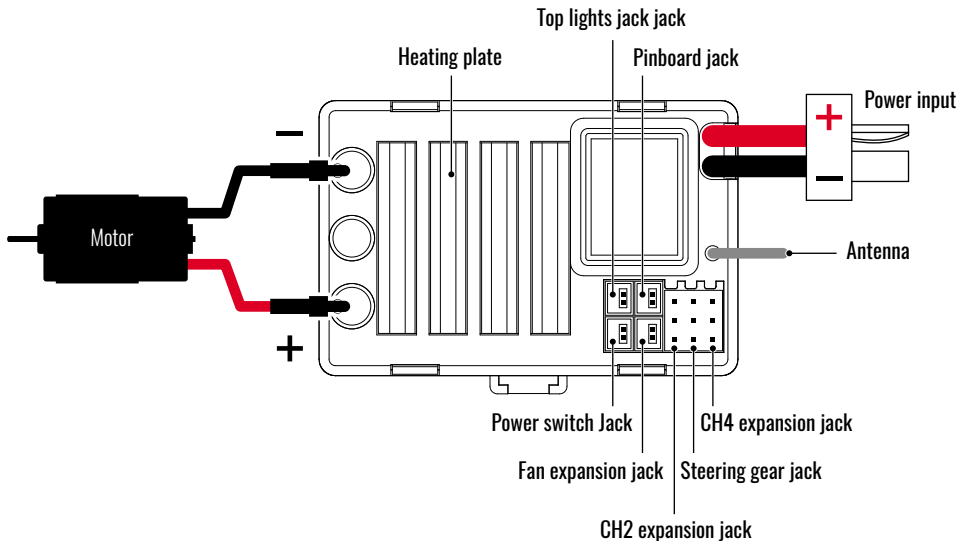


Brushless version

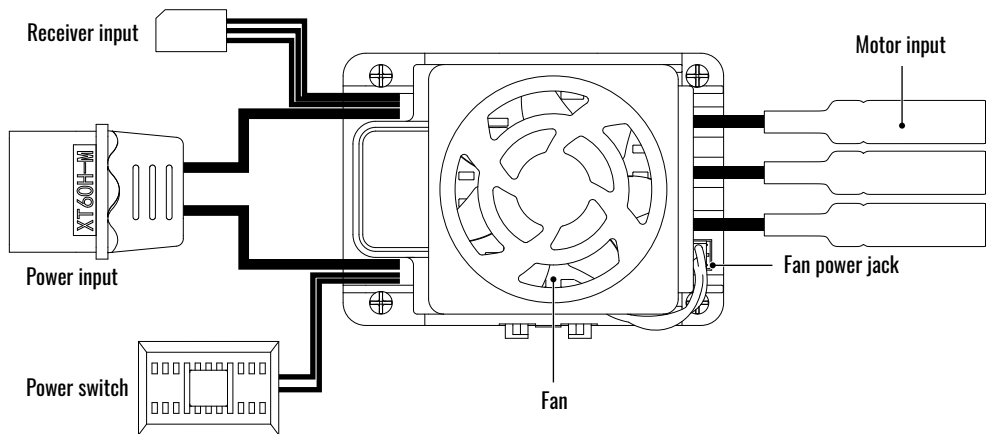


Electronic speed controller

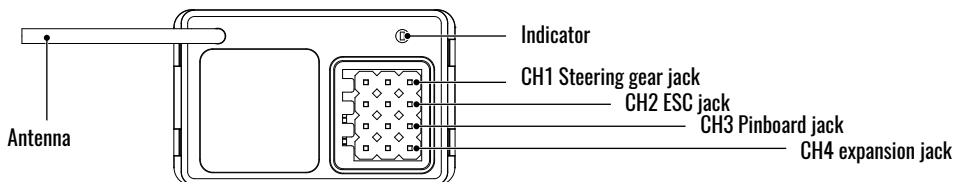
P12-019



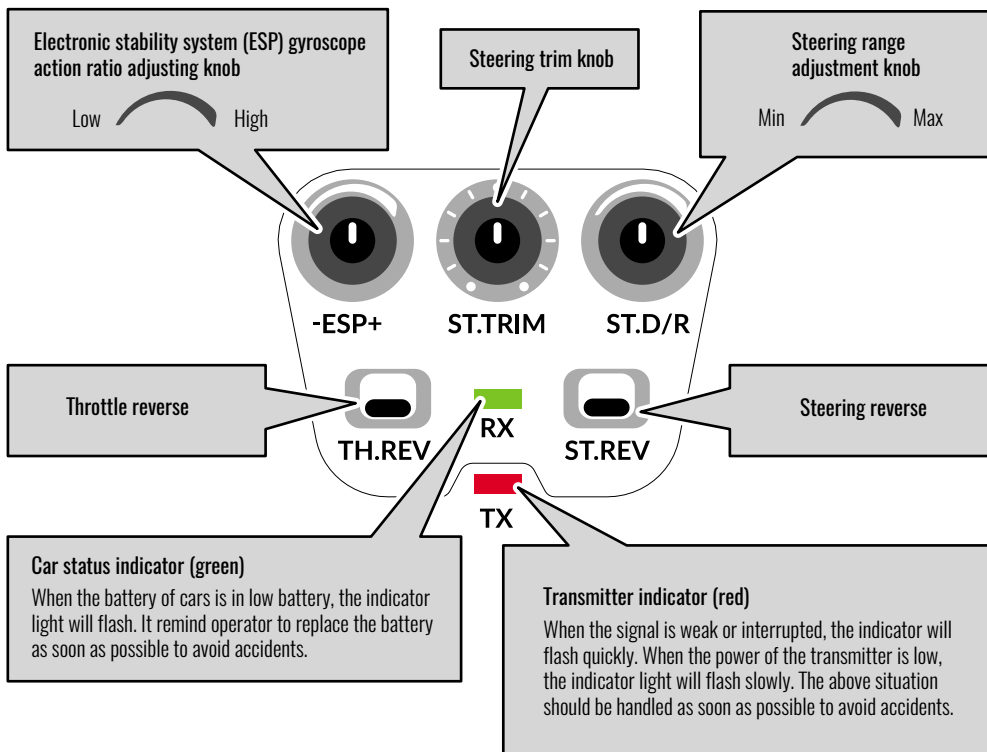
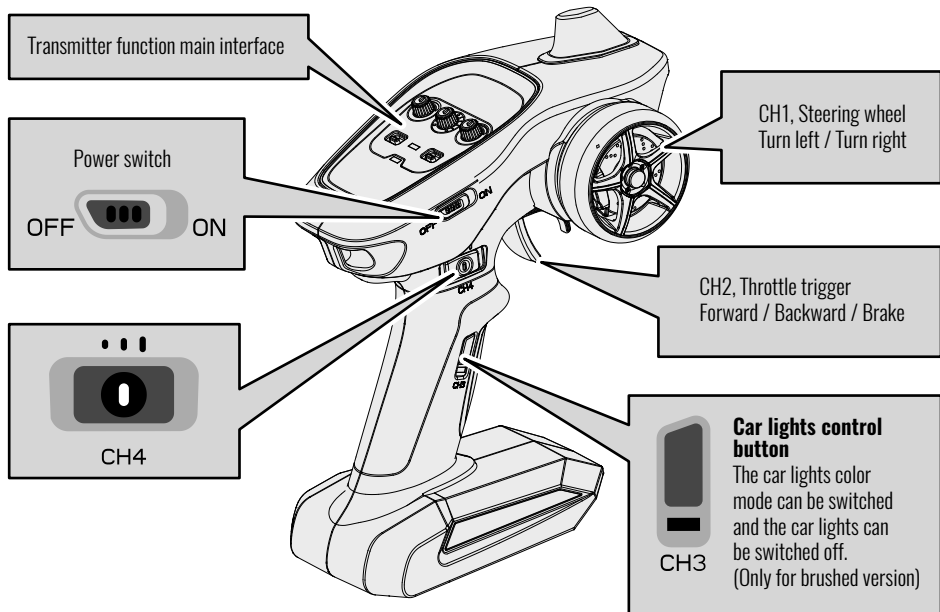
P12-048



Receiver P12-046



Preparation of transmitter

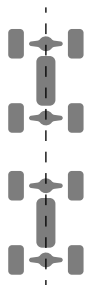


Adjustment of gyroscope action ratio

This product has the function of ESP car stability system, which can effectively correct the car attitude and direction when the car skids or loses control. The function and sensitivity of the car gyroscope sensor can be adjusted through the ESP knob of the transmitter.



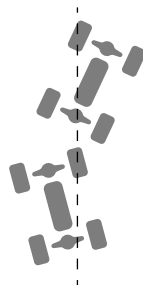
-ESP+



The action ratio decreased



The action ratio increases

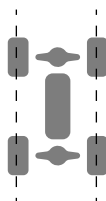


Steering range adjustment

The steering range adjustment knob can be used to adjust the left and right steering angle of the car.



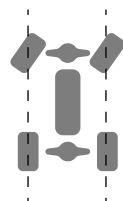
ST.D/R



Minimum steering angle

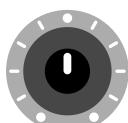


Maximum steering angle

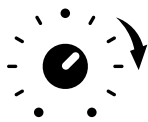
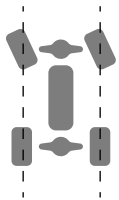


Steering trim

When the steering wheel is in the center position, if the car can not drive in a straight line, please use the steering trim knob to adjust and correct the left and right directions of the front wheels.



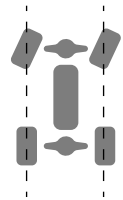
ST.TRIM



When the front wheel is left, the knob rotates to the right.



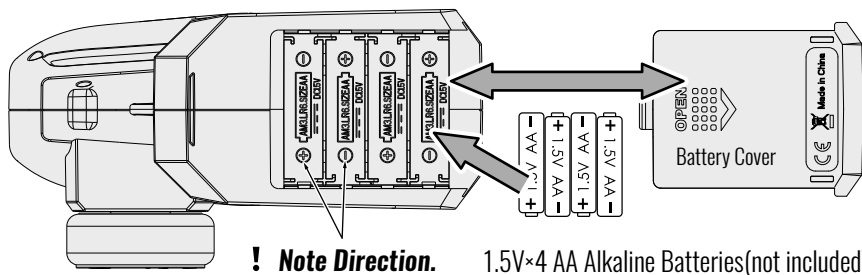
When the front wheel is right, the knob rotates to the left.



ATTENTION

- 1) There is no ESP function when the remote control car retreats.
- 2) When the remote control car is moving forward, it is necessary to pull the throttle trigger backward to reach more than 30% of the stroke before the gyroscope starts to work.
- 3) With the increase of car speed, the gyroscope action ratio also increases synchronously.

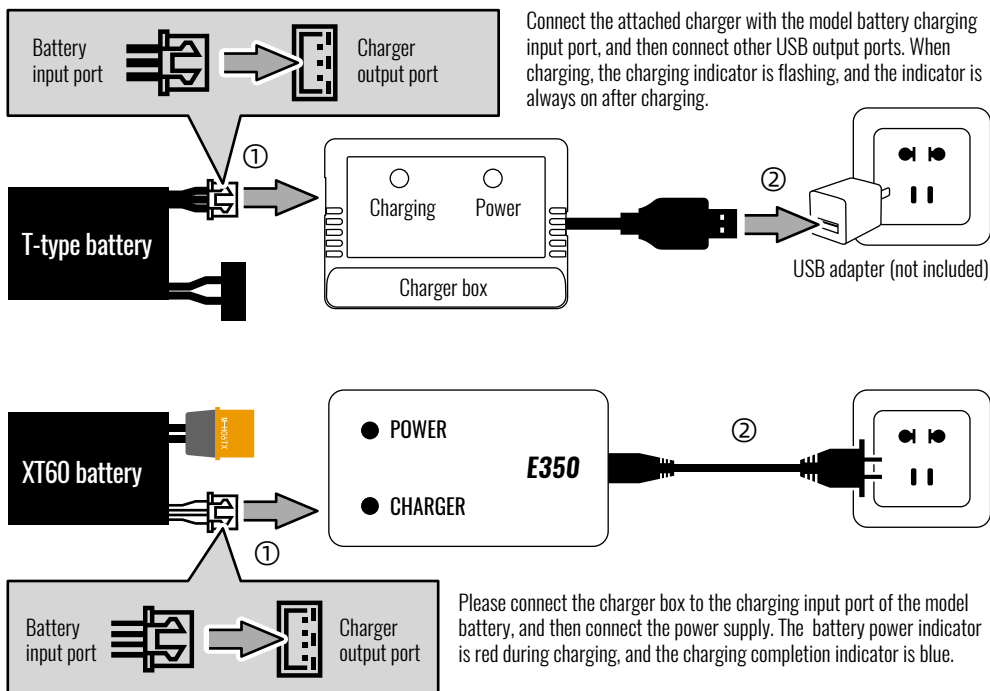
Assembly of the transmitter battery



Open battery cover at the bottom of transmitter. Install batteries. Follow the direction of batteries designated in the inside of the battery box.

Model battery charging

The battery contains less power when leaving the factory, so it must be charged and saturated before use. Do not put the battery in the model when charging. The battery must be cooled before charging.



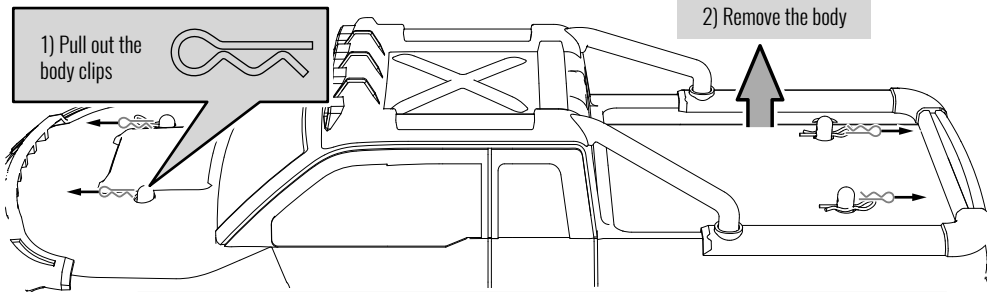
Warning: someone must be watching while charging.
Please use the charging box provided with the product and make sure it is connected properly.

Assembly of model battery

The body and clips are subject to the actual product !

1) Pull out the body clips

2) Remove the body

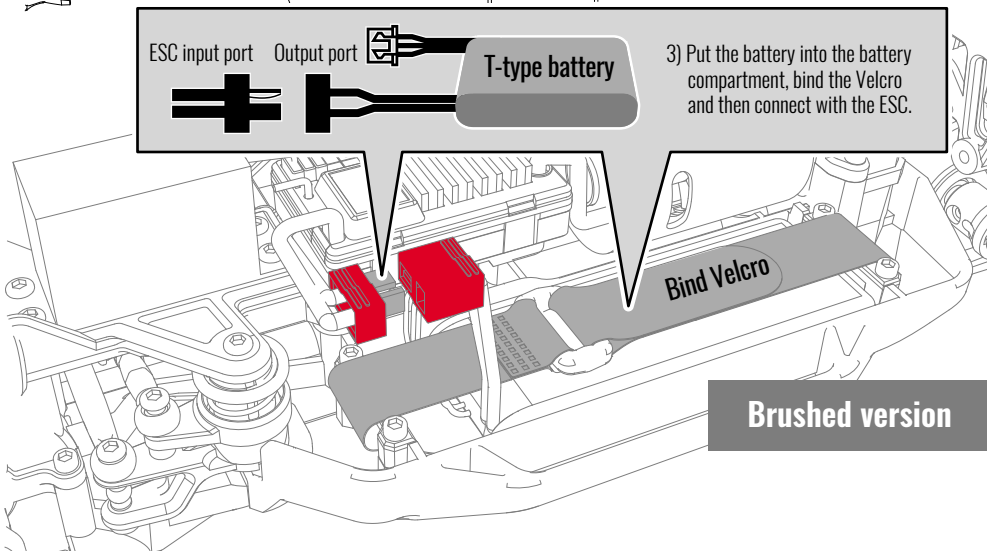


ESC input port Output port



T-type battery

3) Put the battery into the battery compartment, bind the Velcro and then connect with the ESC.



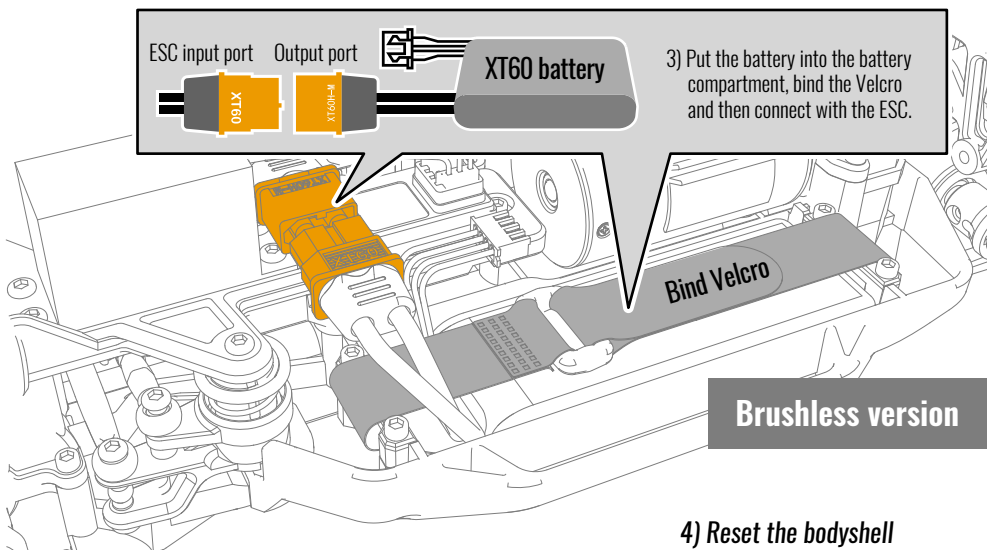
Brushed version

ESC input port Output port



XT60 battery

3) Put the battery into the battery compartment, bind the Velcro and then connect with the ESC.



Brushless version

4) Reset the bodyshell

Operational guidance

1 >

Frequency matching

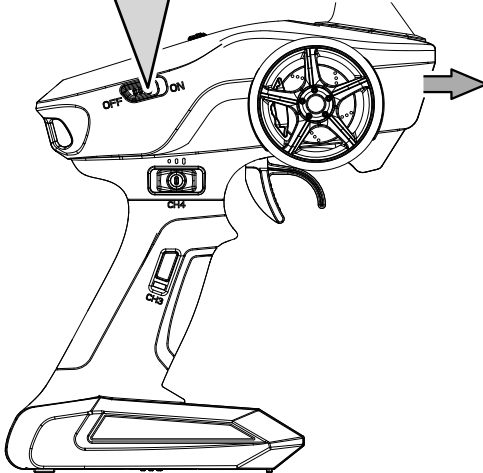
OFF  ON

1) Turn on the power of the transmitter, and the red indicator light will flash quickly.


TX




Do not touch the throttle trigger when turning on the power of the transmitter.



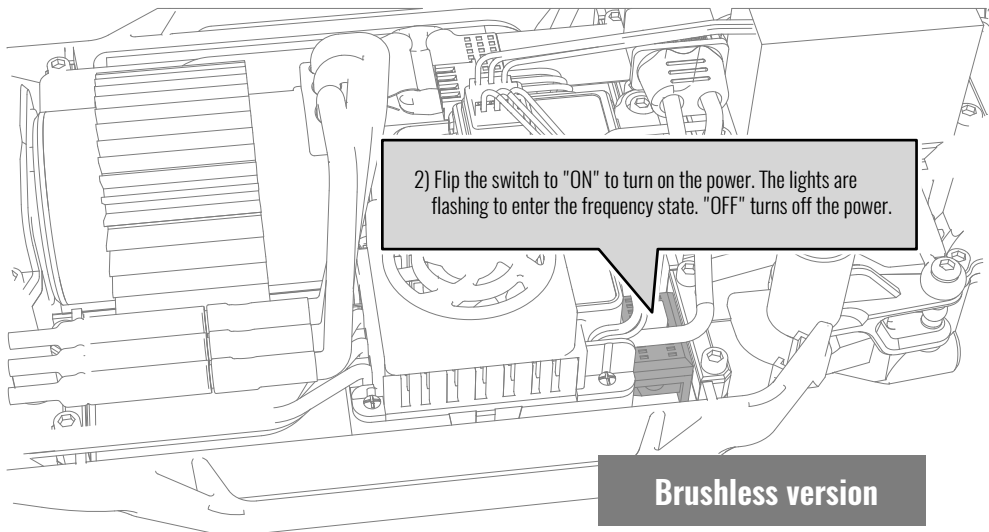
! Consistent direction



Place the model on level ground

2)  Press for 2 second to turn on the power. The lights flash and enter the frequency matching state. Press for 2 second to turn off the power.

Brushed version



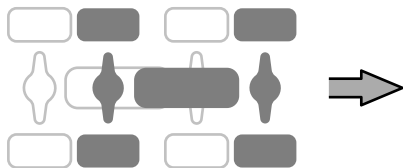
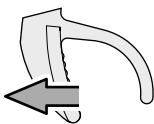
After the car power is turned on, the transmitter and the car will carry out automatic frequency matching. When the indicator light of the transmitter and the car lights are always on, the frequency matching is successful. In the process of frequency matching, the car lights will flash rapidly. At this time, the gyroscope is being calibrated automatically. Please place the car on the level ground to complete this operation. After calibration, the car lights return to normal.

2>

Manipulation method

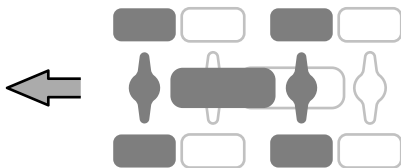
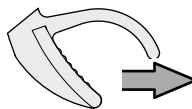
Throttle trigger

Go forward

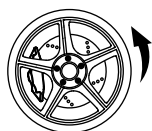


Throttle trigger

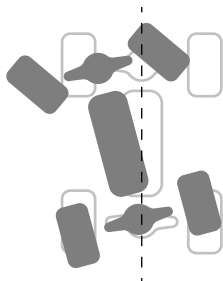
Go backward



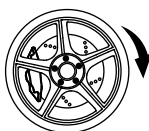
Steering wheel



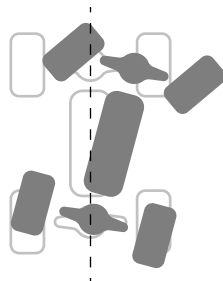
Turn left



Steering wheel

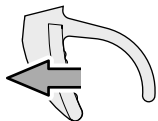


Turn right



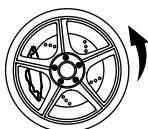
Turn left and move forward

Throttle trigger



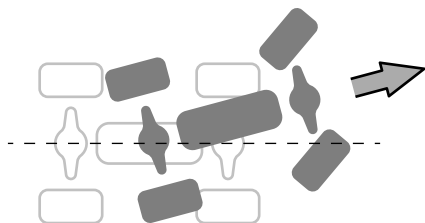
Go forward

Steering wheel



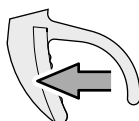
Turn left

+



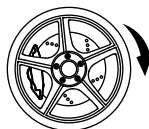
Turn right and move forward

Throttle trigger



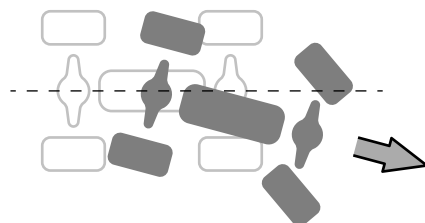
Go forward

Steering wheel



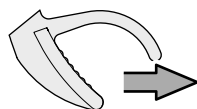
Turn right

+



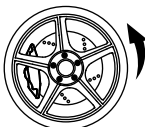
Turn left and move backward

Throttle trigger



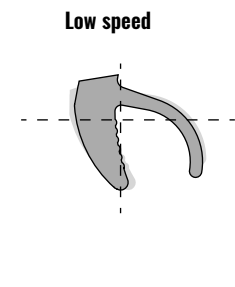
Go backward

Steering wheel



Turn left

+

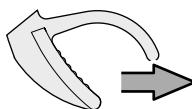


Low speed

Pull the throttle trigger back gently and the car will move forward slowly.

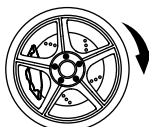
Steering wheel

Throttle trigger



Go backward

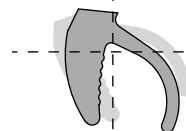
Steering wheel



Turn right

+

High speed



The throttle trigger is pulled to the maximum, and the car moves forward quickly.

Brake/Backward

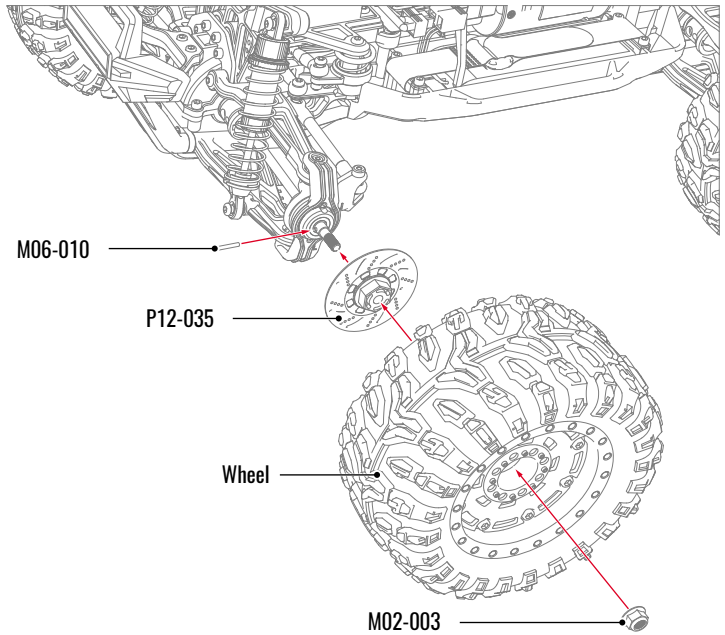


When the car is moving forward, the throttle trigger is pushed forward and the car stops moving. After the throttle trigger returns to the middle position, it pushes forward again, and the car moves backward.

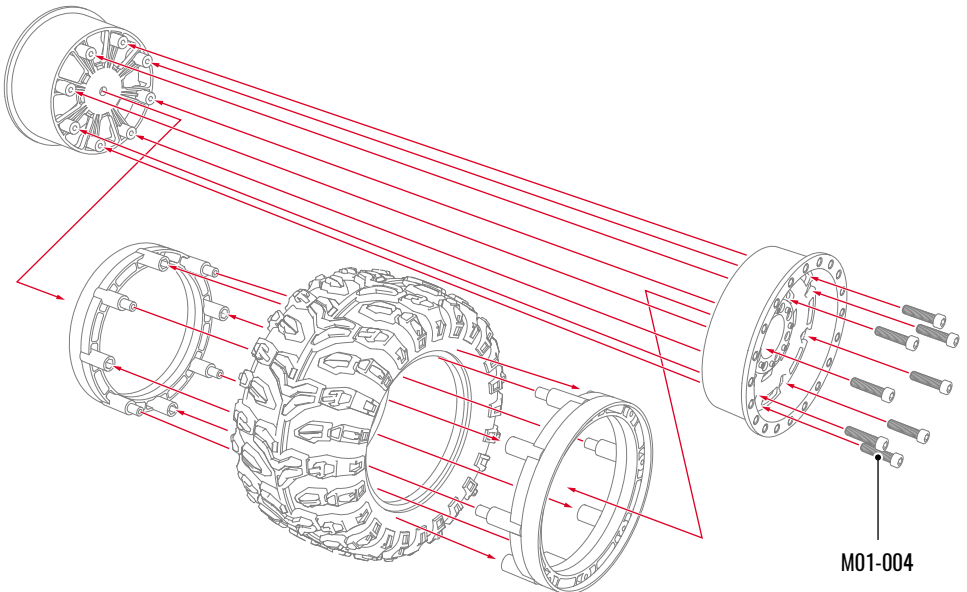
Parts exploded view

Accessories vary by model, the products obtained from sales shall prevail.

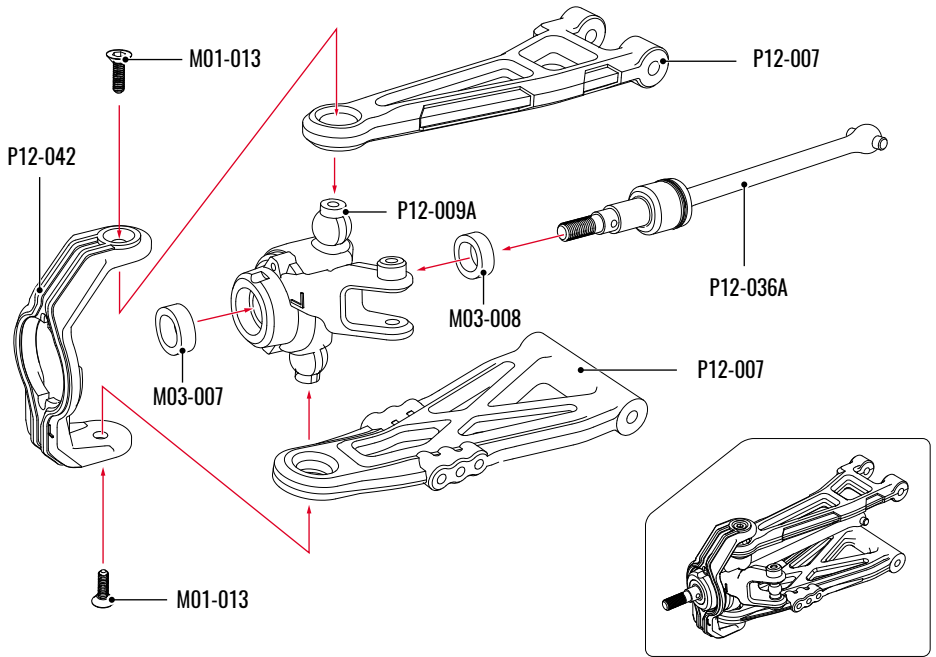
Wheels



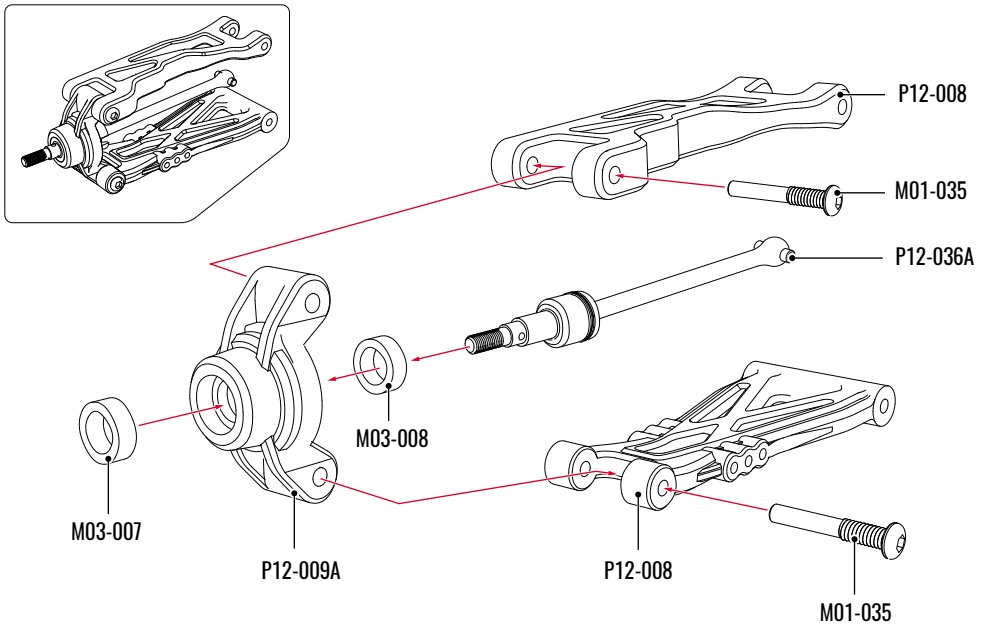
P12-003B / P12-004



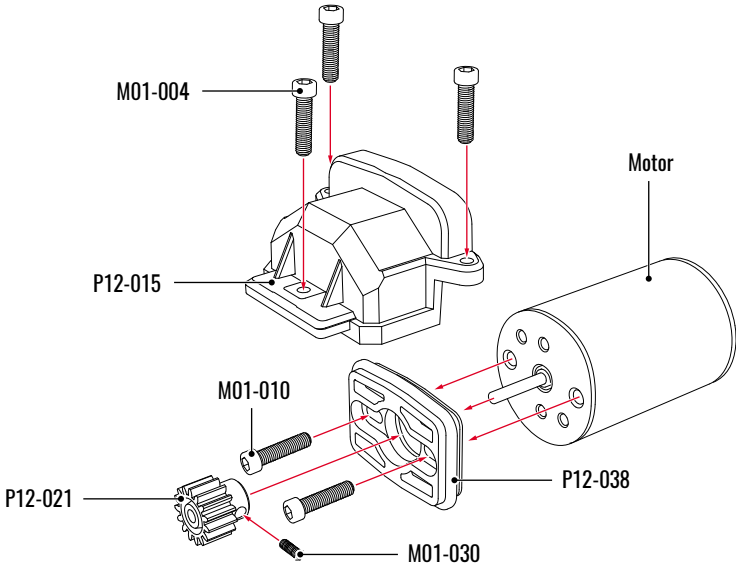
Front suspension arm



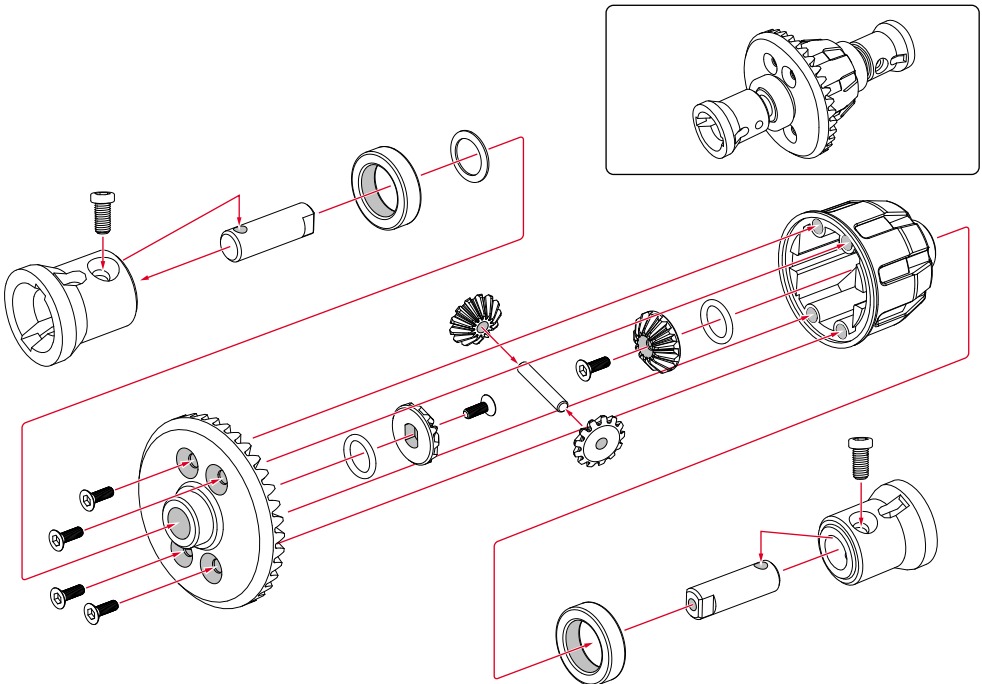
Rear suspension arm



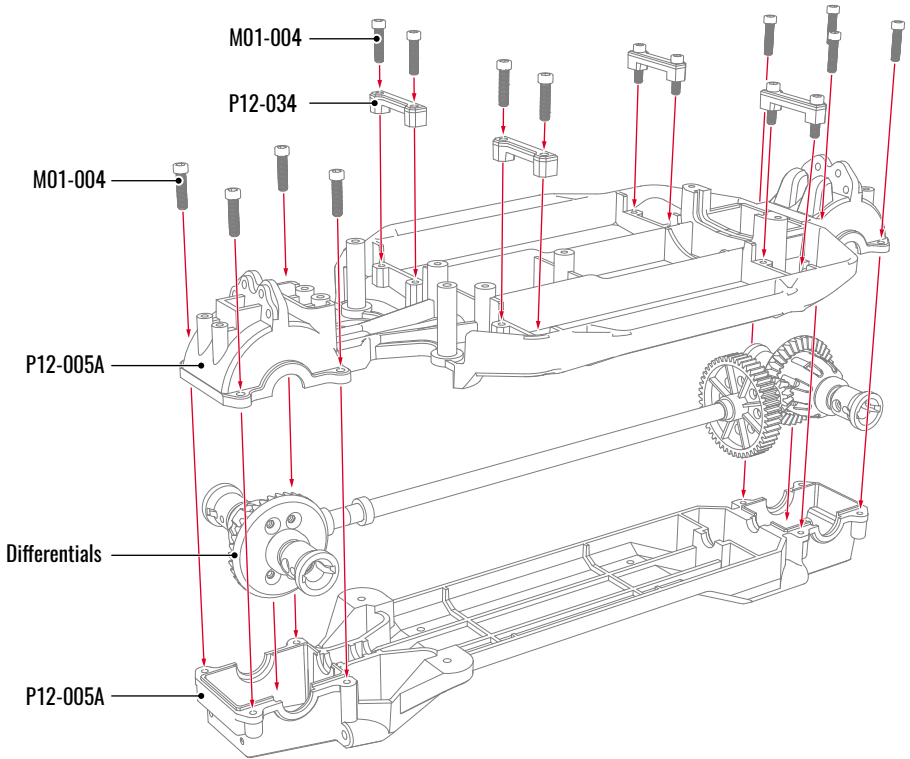
Motor



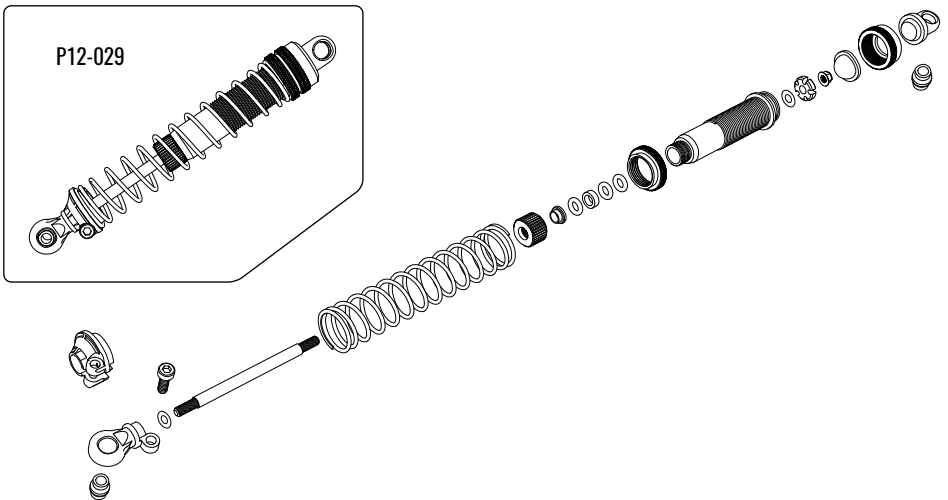
Differentials



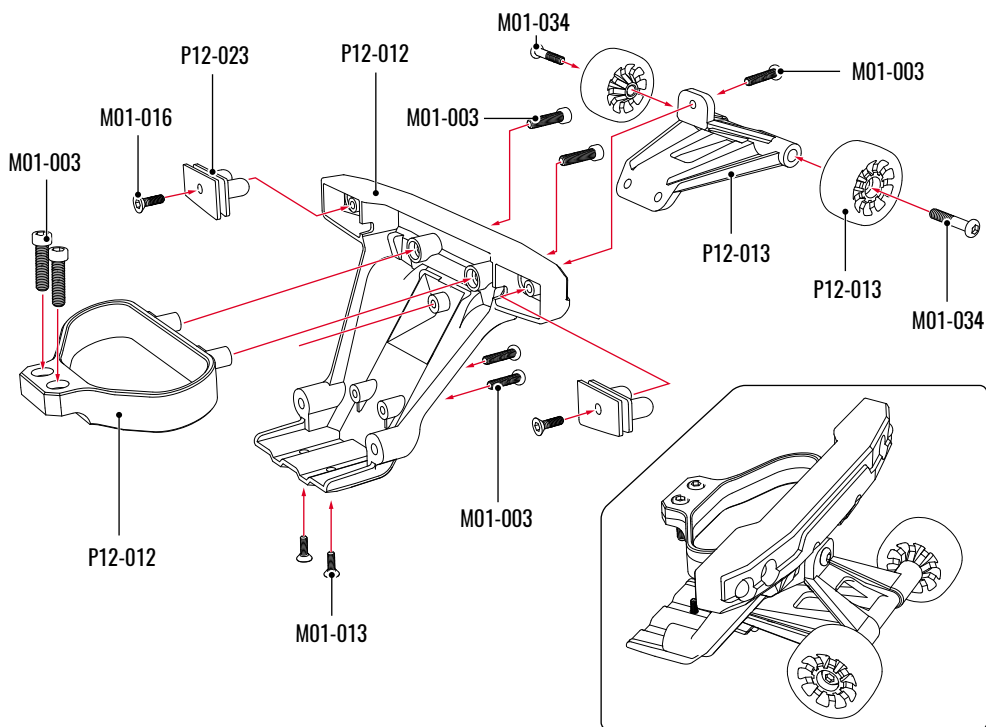
Differential housing



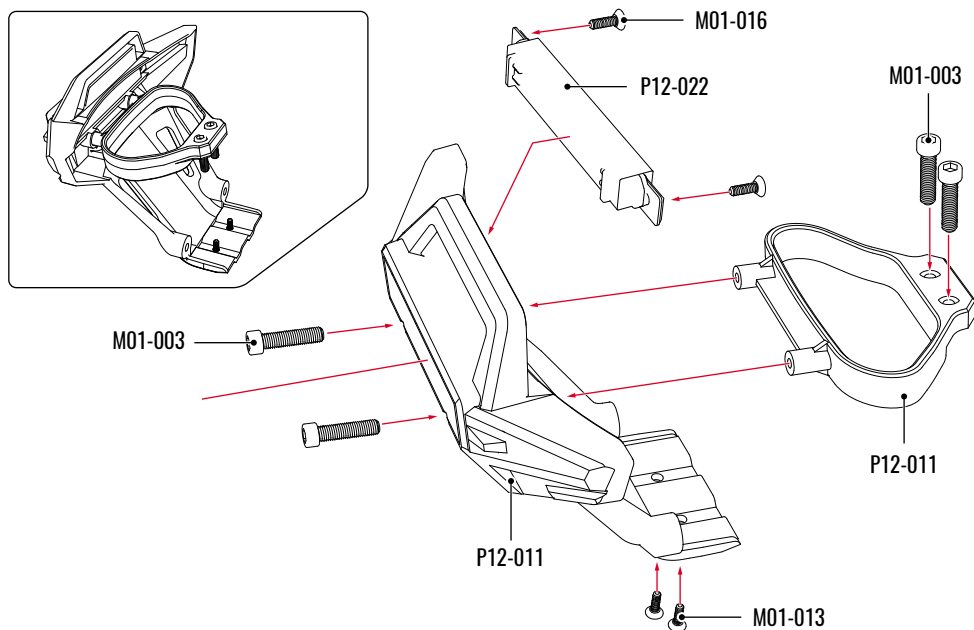
Shock absorbers



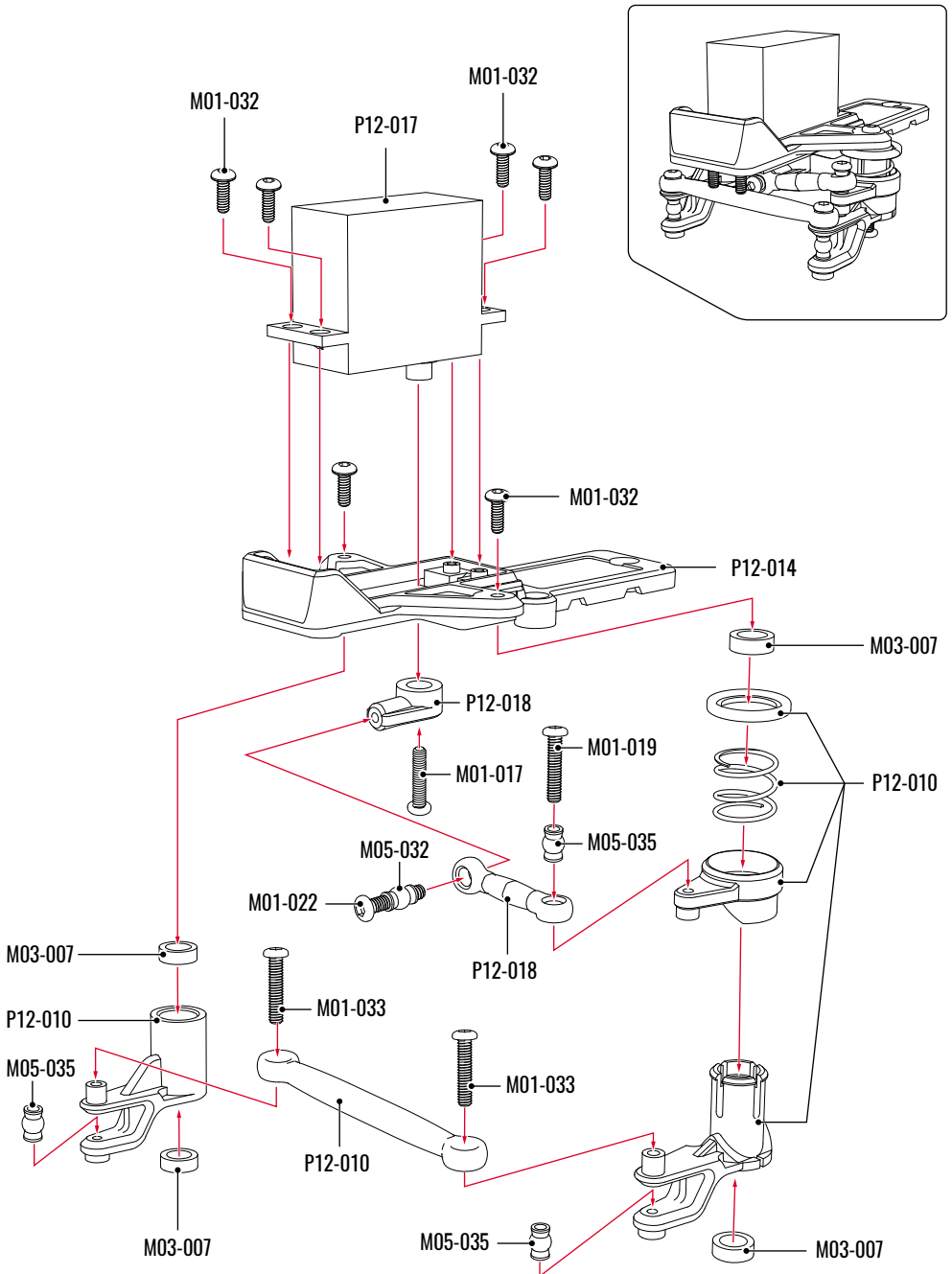
Rear bumper



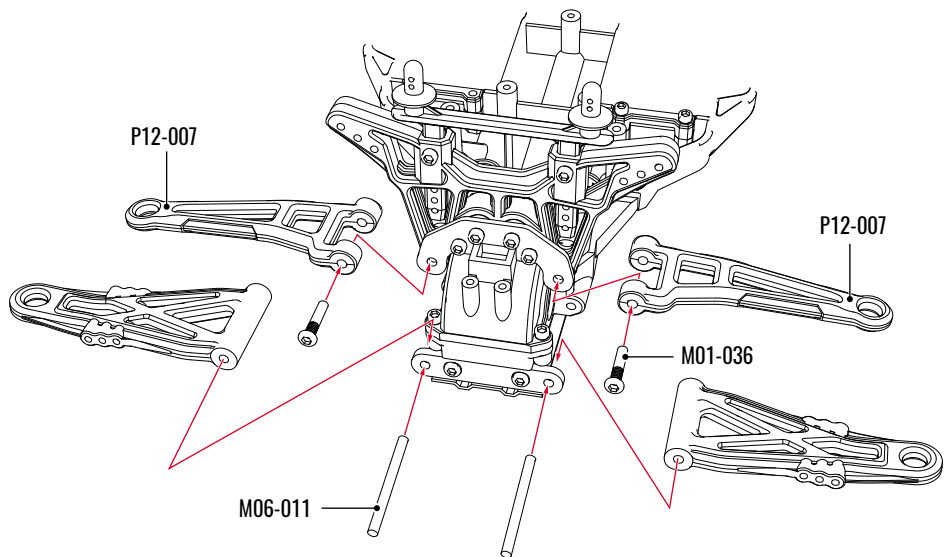
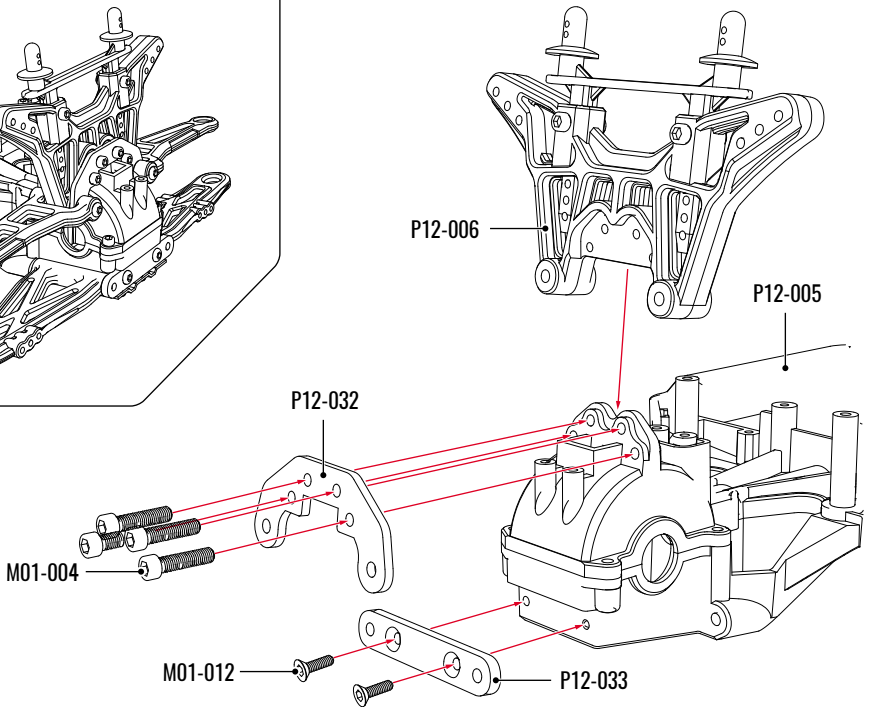
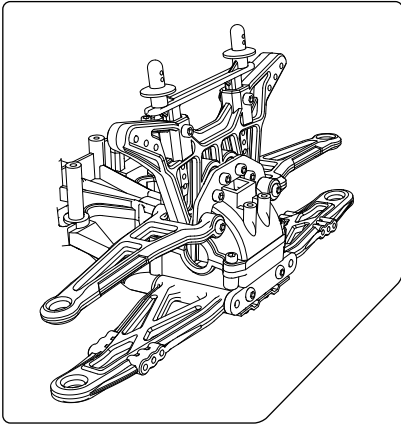
Front bumper



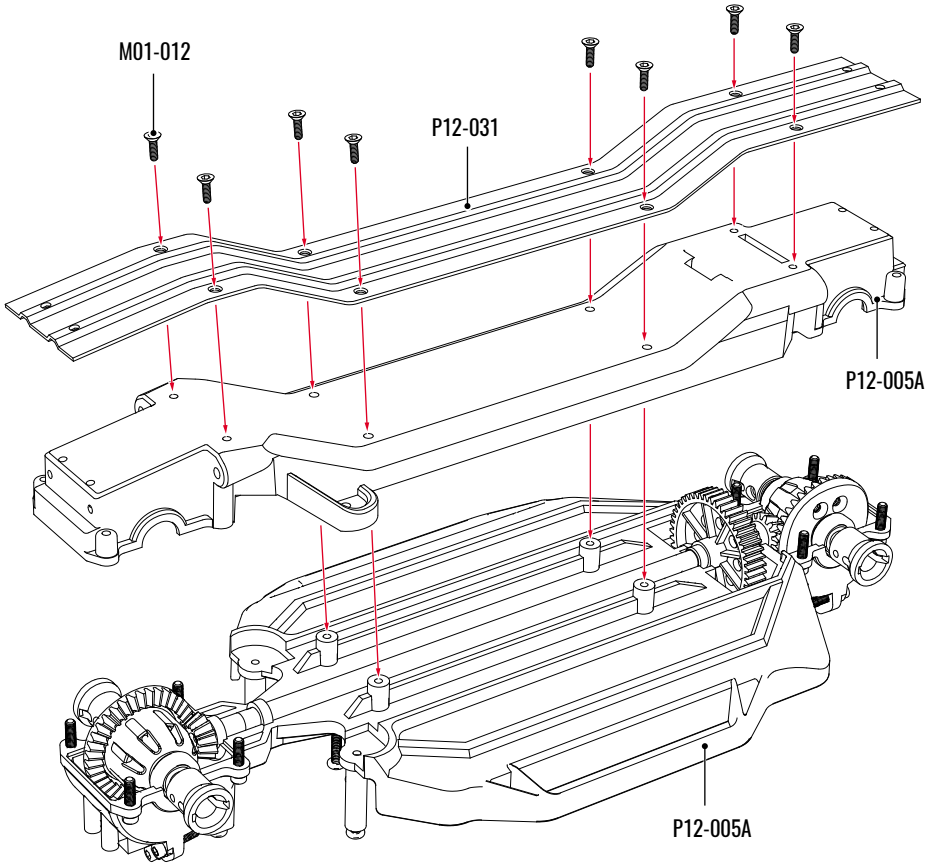
Assembly of steering servo



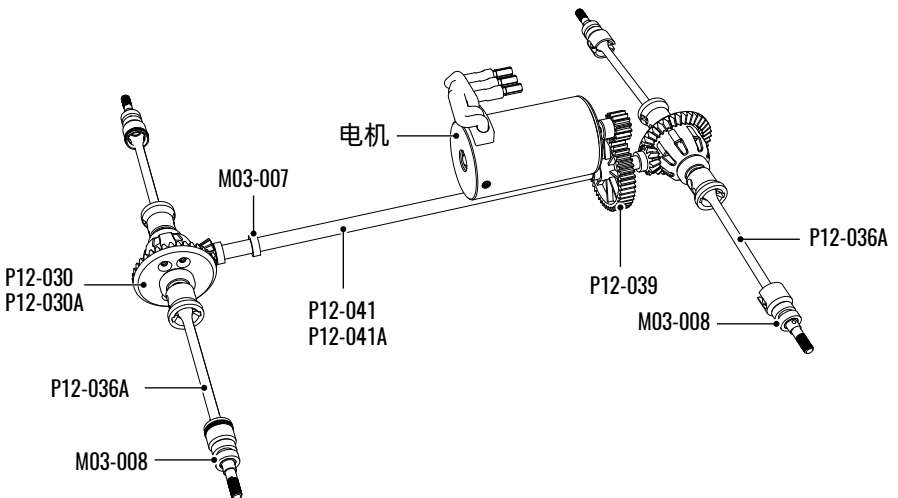
Installation of Bracket and Bulkhead tie bars



Assembly of chassis



Main propeller shaft system



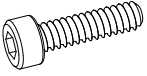
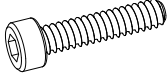
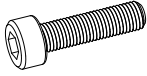
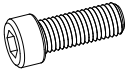
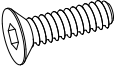
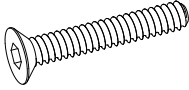
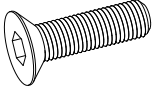
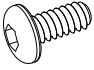
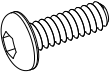
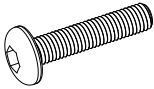
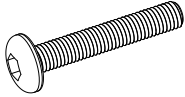
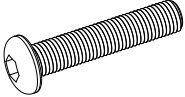
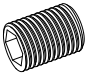
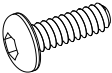
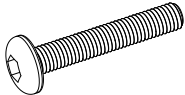
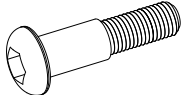
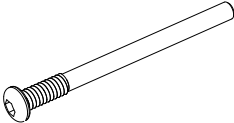
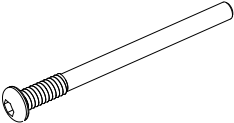
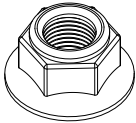
Buyable accessories

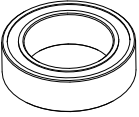
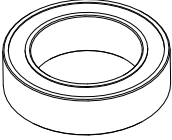
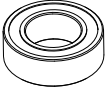
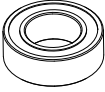
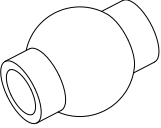
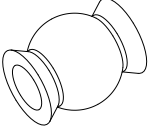
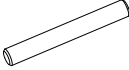
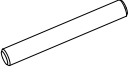
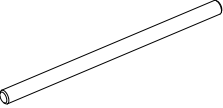

The picture is only for reference, please make the object as the standard.

			
P12-001A Body assembly	P12-00 Body assembly1B	P12-002A Body assembly	P12-002B Body assembly
			
P12-003 Wheel × 4	P12-003B Wheel × 4	P12-004 Wheel × 4	P12-005A Chassis
			
P12-006 Front & Rear shock tower assembly	P12-007 Suspension arms (front)	P12-008 Suspension arms (rear)	P12-009A Front & Rear wheel carriers assembly
			
P12-010 Steering mechanism	P12-011 Front bumper assembly	P12-012 Rear bumper assembly	P12-013 Rear wheel
			
P12-014 Upper chassis	P12-015 Gear cover	P12-016A Adjustable steering linkage	P12-017 Steering servo

			
P12-018 Servo arm set	P12-019 Integrated ESC (Only for brushed version)	P12-020 Motor assembly (Brushed)	P12-021 Motor gear
			
P12-022 Headlight group	P12-023 Taillight group	P12-024 1201 Domelight group 1.5 jack (Only for brushed version)	P12-024A 1201 Domelight group 1.25 jack (Only for brushless version)
			
P12-025 1202 Domelight group 1.5 jack (Only for brushed version)	P12-025A 1202 Domelight group 1.25 jack (Only for brushless version)	P12-026 T-type Model battery (Only for brushed version)	P12-026A T-type Model battery 18650 (Only for brushed version)
			
P12-027 Charger (Only for T-type battery)	E350 Charger (Only for XT60 battery)	P12-028 Transmitter	P12-029 Front & Rear shock absorber
	 Manganese steel gear		
P12-030 Differential assembly (Only for brushed version)	P12-030A Differential assembly (Only for brushless version)	P12-031 Chassis reinforcing bracket	P12-032 Upper fixed arm

			
P12-033 Lower fixed arm	P12-034 Velcro fastener × 4	P12-035 Wheel adapters × 4	P12-036A Front CVD driveshaft assembly × 2
			
P12-038 Motor mounts	P12-039 Main spur gear	P12-040 Body clips × 4	P12-041 Main driveshaft $\phi 6.25 \times 216\text{mm}$ (Only for brushed version)
			
P12-041A Main driveshaft $\phi 6.3 \times 219\text{mm}$ (Only for brushless version)	P12-042 C-type wheel seat	P12-043 Bind Velcro	P12-044 Metal Differential Gear
			
P12-044A Metal Differential Gear	P12-045 Motor assembly (Brushless)	P12-046 Receiver (Only for brushless version)	P12-047 XT60 Model battery (Only for brushless version)
			
P12-048 ESC (Only for brushless version)	P12-049 1.5 Pinboard (Only for brushed version)	P12-050 Pinboard (Only for brushless version)	

			
M01-003 Hexagon socket head cap tapping screw ø2.6×10mm HB	M01-004 Hexagon socket head cap tapping screw ø2.6×12mm HB	M01-008 Hexagon socket head cap machine screw ø2.5×10mm HM	M01-010 Hexagon socket head cap machine screw ø3×8mm HM
			
M01-012 Hexagon socket countersunk head tapping screw ø2.6×8mm KB	M01-013 Hexagon socket countersunk head tapping screw ø2.6×15mm KB	M01-014 Hexagon socket countersunk head tapping screw ø2.6×15mm KB	M01-016 Hexagon socket button head tapping screw ø2.6×15mm KB
			
M01-017 Hexagon socket button head tapping screw ø2.6×8mm TB	M01-019 Hexagon socket button head machine screw ø2.5×12mm TM	M01-020 Hexagon socket button head machine screw ø2.5×15mm TM	M01-022 Hexagon socket button head machine screw ø3×15mm TM
			
M01-030 Set screw ø3×4mm	M01-032 Hexagon socket button head tapping screw ø2.6×12mm TB	M01-033 Hexagon socket button head machine screw ø2.5×18mm TM	M01-034 Hexagon socket button head shoulder machine screw ø3.5×14×3×6mm
			
M01-035 Hexagon socket button head half threaded tapping screw ø3.5×27mm	M01-036 Hexagon socket button head half threaded tapping screw ø3.5×29mm	M02-003 Hex flanged nylon insert lock nut M4	

			
M03-003 Ball bearing ø8×ø12×3.5mm	M03-004 Ball bearing ø10×ø15×4mm	M03-007 Ball bearing ø6.35×ø9.5×3.2mm	M03-008 Ball bearing ø11×ø16×4mm
			
M05-032 Hollow ball ø6.8×9×ø3mm	M05-035 Hollow ball ø4.8×7×ø3mm	M06-002 Pin Ø2×10mm	M06-010 Pin Ø2×9mm
			
M06-011 Pin Ø3×54mm	M06-012 Pin Ø2×7.8mm		

FCC Note

This equipment has been tested and found to comply with the limits for a Class B digital device, pursuant to Part 15 of the FCC Rules. These limits are designed to provide reasonable protection against harmful interference in a residential installation. This equipment generates uses and can radiate radio frequency energy and, if not installed and used in accordance with the instructions, may cause harmful interference to radio communications. However, there is no guarantee that interference will not occur in a particular installation. If this equipment does cause harmful interference to radio or television reception, which can be determined by turning the equipment off and on, the user is encouraged to try to correct the interference by one or more of the following measures:

- *Reorient or relocate the receiving antenna.*
- *Increase the separation between the equipment and receiver.*
- *Connect the equipment into an outlet on a circuit different from that to which the receiver is connected.*

WARNING: Changes or modifications not expressly approved by the party responsible for compliance could void the user's authority to operate the equipment.

FCC Notice

The equipment may generate or use radio frequency energy. Changes or modifications to this equipment may cause harmful interference unless the modifications are expressly approved in the instruction manual. Modifications not authorized by the manufacturer may void user's authority to operate this device.

This device complies with Part 15 of the FCC Rules. Operation is subject to the following two conditions:

- (1) This device may not cause harmful interference.
- (2) This device must accept any interference received, including interference that may cause undesired operation.

FCC Radiation Exposure Statement

The device has been evaluated to meet general RF exposure requirement.
The device can be used in portable exposure condition with out restriction.



Demo video



Operation guide
download



Manufacturer: UDIRC TECHNOLOGY CO., LTD

Address: Guangfeng Industrial Zone, Guangyi Street, Chenghai District, Shantou City, Guangdong Province, CN

MADE IN CHINA